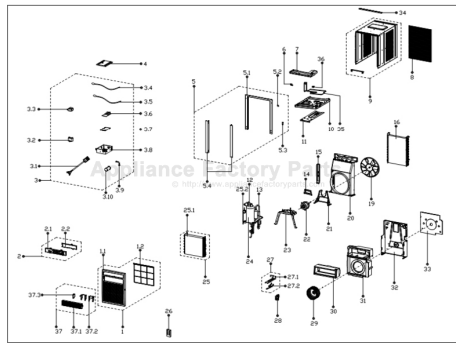


This Owner's Manual is provided and hosted by [Appliance Factory Parts](http://www.appliancefactoryparts.com).



COMFORT-AIRE CD-81M Owner's Manual

[Shop genuine replacement parts for COMFORT-AIRE
CD-81M](#)



[Find Your COMFORT-AIRE Air Conditioner Parts - Select From 599 Models](#)

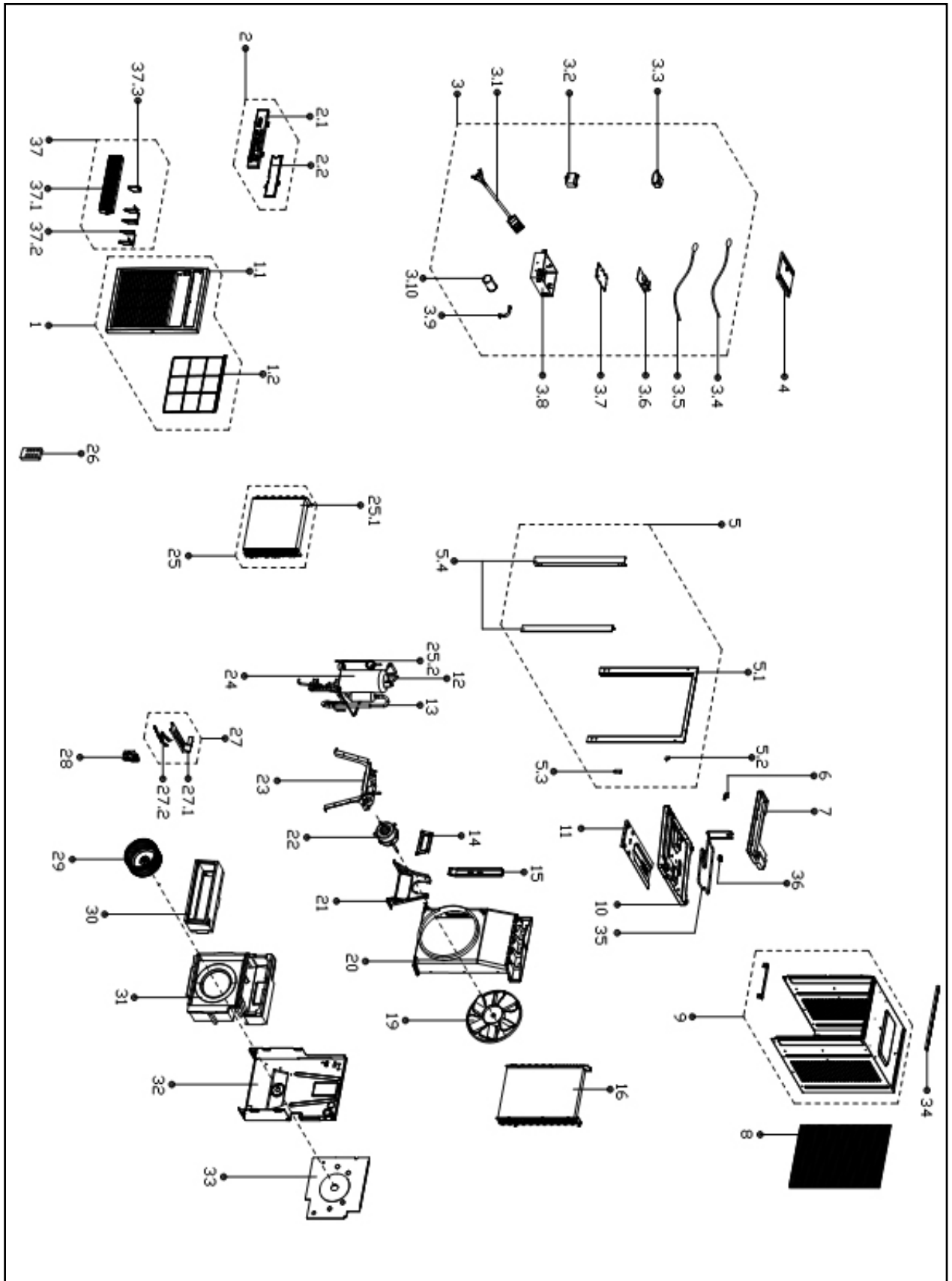
----- Manual continues below -----

HEAT CONTROLLER

**REPLACEMENT
PARTS LIST**

**Room Air Conditioner with R-410A:
CD-81M**

EXPLODED VIEW



REPLACEMENT PARTS

| Location | Part Name | Quantity | Part No. |
|----------|--|----------|----------------|
| 1 | Panel assembly | 1.0 | 12120300A00736 |
| 1.1 | Front panel | 1.0 | 12120300A00727 |
| 1.2 | Filter | 1.0 | 12100204A00048 |
| 2 | Structure Subassembly of Display Box | 1.0 | 17220300A02030 |
| 2.1 | Control board | 1.0 | 12120300A00549 |
| 2.2 | Control board cover | 1.0 | 12120300000639 |
| 3 | E-Parts Box Subassembly of Upper Air-out Window Series | 1.0 | 17220300001093 |
| 3.1 | Power Supply Cable Subassembly | 1.0 | 17401202000143 |
| 3.2 | Fan Capacitor | 1.0 | 17400101000002 |
| 3.3 | Power Transformer | 1.0 | 11203103000120 |
| 3.4 | Temperature Sensor | 1.0 | 11201007000196 |
| 3.5 | Room Temperature Sensor | 1.0 | 11201007000325 |
| 3.6 | Main Control Board Subassembly | 1.0 | 17120300000549 |
| 3.7 | Mounting rack of main control panel | 1.0 | 12120300000521 |
| 3.8 | Structure Subassembly of Electrical Control Box | 1.0 | 12220300000512 |
| 3.9 | Capacitor Clamp | 1.0 | 12200203000019 |
| 3.10 | Compressor Capacitor(Round) | 1.0 | 17400103000052 |
| 4 | Electrical Control Box Cover | 1.0 | 12220300000499 |
| 5 | Installing Accessories | 1.0 | 12020300000045 |
| 5.1 | Installation Frame Subassembly | 1.0 | 12120300001297 |
| 5.2 | Window Frame Fixing Plate | 1.0 | 12220300000529 |
| 5.3 | Fixing board | 1.0 | 12220300000876 |
| 5.4 | Side frame | 2.0 | 12220300000873 |
| 6 | Window Frame Fixing Plate | 1.0 | 12220300000531 |
| 7 | Drain Pan | 1.0 | 12820300000027 |
| 8 | Rear Net | 1.0 | 12120300000929 |
| 9 | Frame Assembly | 1.0 | 12220300000828 |
| 10 | Chassis Assembly | 1.0 | 12220300001110 |
| 11 | Installation Board | 1.0 | 12220300000869 |
| 12 | Compressor exhaust pipe | 1.0 | 15120300000773 |
| 13 | Parts of compressor return pipe | 1.0 | 15120300001346 |
| 14 | Fan Motor Cover | 1.0 | 12220300000445 |
| 15 | Holder | 1.0 | 12220300000860 |
| 16 | Condenser Assembly | 1.0 | 15820300000667 |
| 19 | Axial fan | 1.0 | 12100105000012 |
| 20 | Rear barrier Subassembly | 1.0 | 12120300000566 |
| 21 | Fan Motor Holder | 1.0 | 12220300001107 |
| 22 | Single-phase Asynchronous Motor | 1.0 | 11002012000933 |
| 23 | Parts of compressor bracket | 1.0 | 12220300001106 |
| 24 | Fixed speed rotary compressor | 1.0 | 11103010000932 |
| 25 | Evaporator assembly Gas valve assembly | 1.0 | 15820300000756 |
| 25.1 | Evaporator | 1.0 | 15820300000407 |
| 25.2 | Capillary Assembly | 1.0 | 15120300001208 |
| 26 | Remote controller | 1.0 | 17317000A03529 |
| 27 | Components of vent door | 1.0 | 12120300000019 |
| 27.1 | Gantry of vent door | 1.0 | 12120300001289 |
| 27.2 | Connecting rod of fresh air door | 1.0 | 12120300001283 |
| 28 | Vent door | 1.0 | 12120300000231 |
| 29 | Centrifugal Fan | 1.0 | 12100103000167 |
| 30 | Upper Air Duct | 1.0 | 12820300000100 |
| 31 | Volute Scroll | 1.0 | 12820300000070 |
| 32 | Front separating board | 1.0 | 12220300000570 |
| 33 | Scroll rear board | 1.0 | 12820300000037 |
| 34 | Upper Shutter Frame Subassembly | 1.0 | 12120300001339 |
| 35 | Sub-cooling pipe assembly | 1.0 | 15120300002832 |
| 36 | Fixing Clip | 3.0 | 12100303000050 |
| 37 | Air Out Frame assembly | 1.0 | 12120300A00629 |
| 37.1 | Air Out Frame | 1.0 | 12120300A00598 |
| 37.2 | Louver | 4.0 | 12120300A00583 |
| 37.3 | Wind Guide | 1.0 | 12120300A00636 |
| | Display label | 1.0 | 16020300A04604 |

Due to ongoing product improvements, specifications and dimensions are subject to change and correction without notice or incurring obligations. Determining the application and suitability for use of any product is the responsibility of the installer. Additionally, the installer is responsible for verifying dimensional data on the actual product prior to beginning any installation preparations.

Incentive and rebate programs have precise requirements as to product performance and certification. All products meet applicable regulations in effect on date of manufacture; however, certifications are not necessarily granted for the life of a product. Therefore, it is the responsibility of the applicant to determine whether a specific model qualifies for these incentive/rebate programs.

HEAT CONTROLLER

1900 Wellworth Ave., Jackson MI 49203 • Ph. 517-787-2100 • www.heatcontroller.com

A  Company