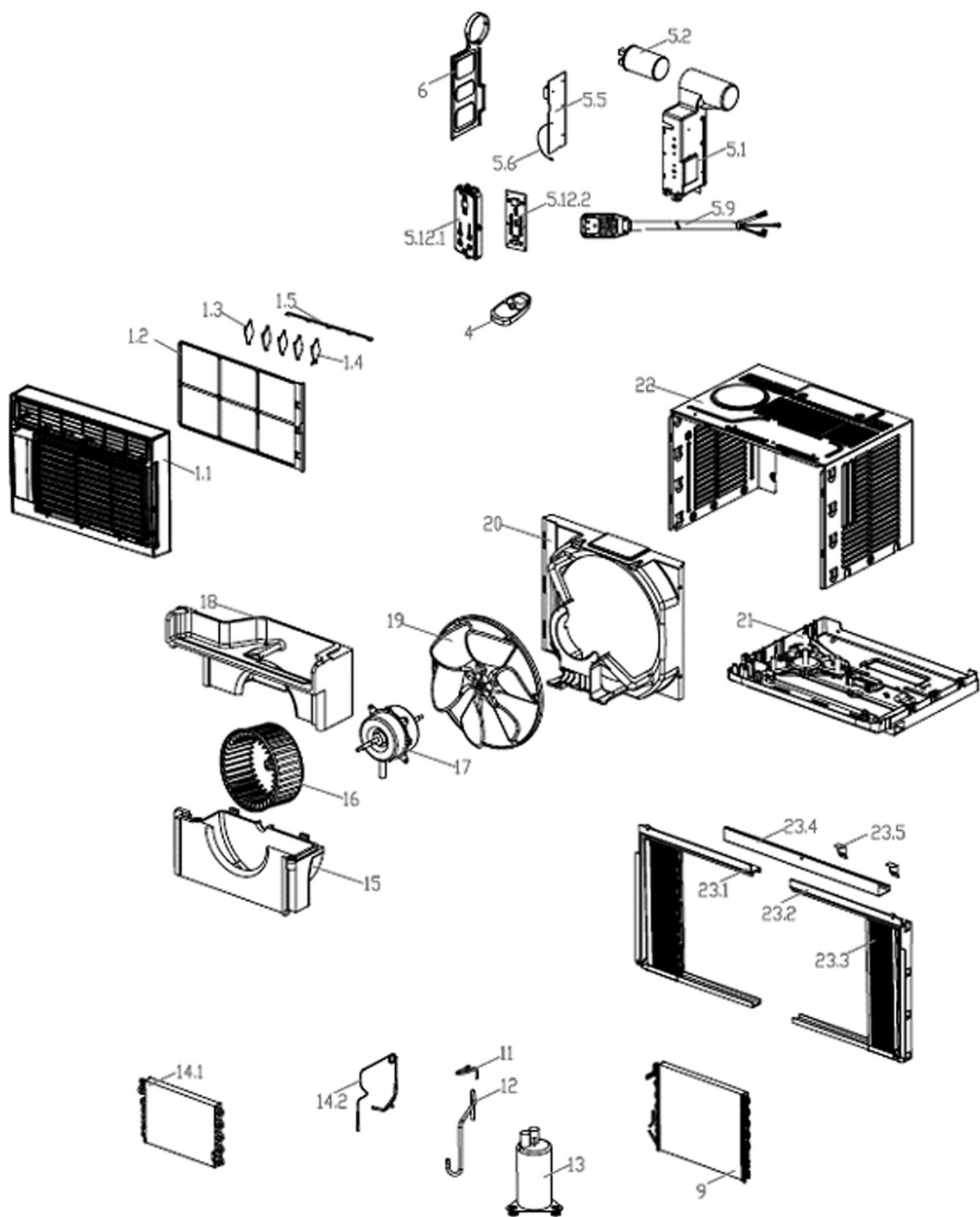


HEAT CONTROLLER, INC.

REPLACEMENT PARTS LIST

**Room Air Conditioner:
RADS-51H**

EXPLODED VIEW

REPLACEMENT PARTS

Location	Part Description	Quantity	Part No.
1.1	Panel frame	1	2011211A0282
1.2	Filter	1	201121190007
1.3	Louver II	4	2011211A0295
1.4	Louver I	1	2011211A0294
1.5	Louver holder	1	201121190006
4	Remote controller	1	203355091112
5.1	E-Part box	1	201121190248
5.2	Capacitor	1	202401400005
5.5	Main control board assembly	1	201321190050
5.6	Indoor temp sensor assembly	1	202432390005
5.9	Power cord	1	202402290007
5.12	Display box assembly	1	2033211A0065
5.12.1	Display panel	1	2011217A0553
5.12.2	Display board assembly	1	201321190049
6	E-part box cover	1	201121190249
9	Condenser	1	201521190080
11	Discharge pipe	1	201621190249
12	Suction pipe	1	201621190338
13	Compressor	1	201402000530
14.1	Evaporator	1	201521190083
14.2	Capillary assembly	1	201621190256
15	Volute Shell (Bottom)	1	202221190003
16	Centrifugal fan	1	201100100211
17	Fan motor	1	202400400964
18	Volute Shell(Top)	1	202221190004
19	Propeller fan	1	201100300019
20	Rear separating board	1	201121190247
21	Chassis assembly	1	201121190265
22	Cabinet assembly	1	201221190101
23.1	Left shutter frame	1	201120190157
23.2	Right shutter frame	1	201120190155
23.3	Shutter	2	201121190107
23.4	Up shutter frame	1	201220190111
23.5	Shutter locking bar	2	201220190109

Design, material, performance data and components
subject to change without notice.

HEAT CONTROLLER, INC.

1900 Wellworth Ave., Jackson, MI 49203 ♦ Ph. 517-787-2100 ♦ Fax 517-787-9341

THE QUALITY LEADER IN CONDITIONING AIR

www.heatcontroller.com