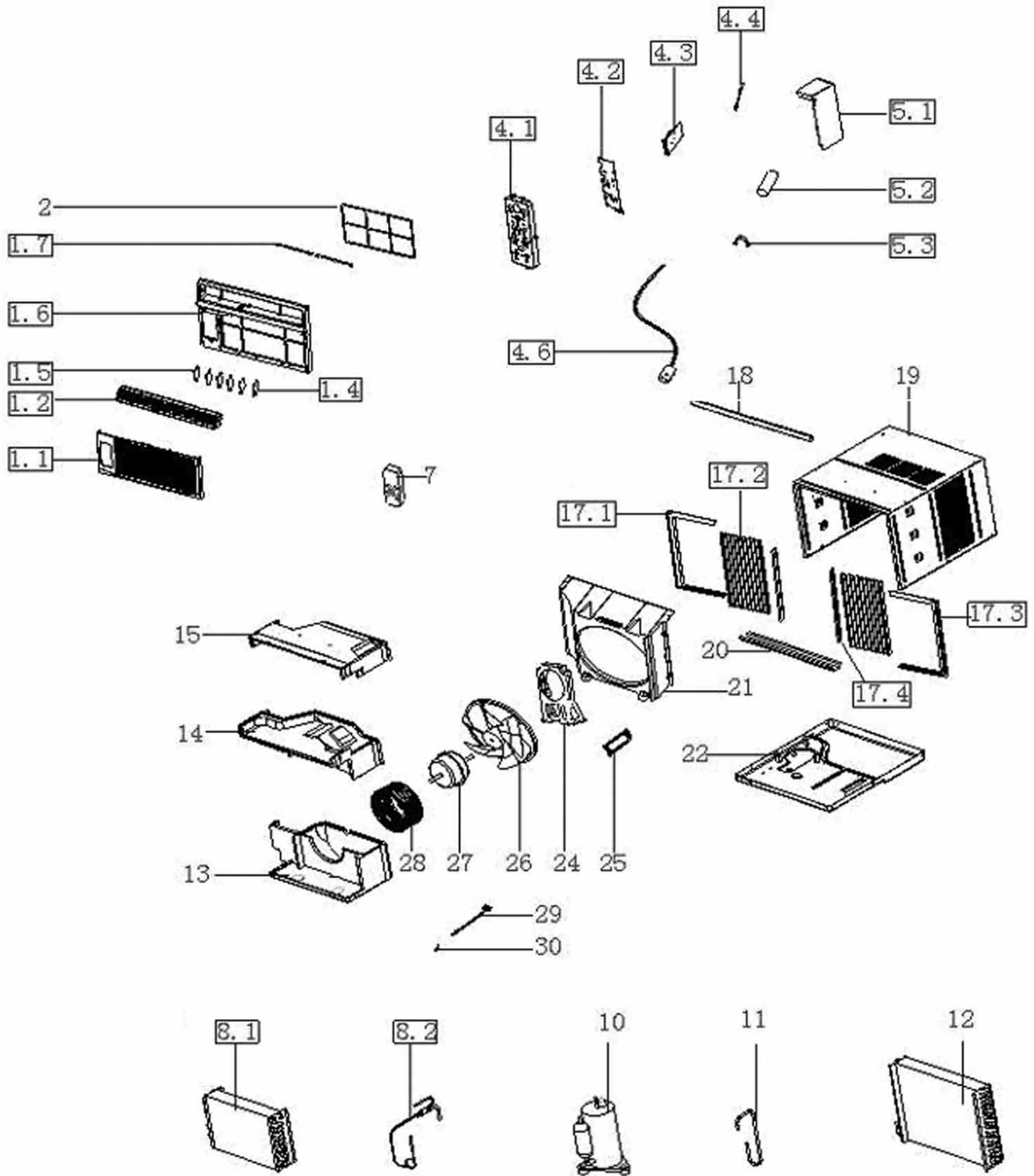


HEAT CONTROLLER, INC.

REPLACEMENT PARTS LIST

**Room Air Conditioner with R-410A:
RADS-101G**

EXPLODED VIEW



REPLACEMENT PARTS

Location	Part Name	Quantity	Part No.
1.1	Front board	1	201121790038
1.2	Louver	1	201121790039
1.4	Horizontal louver I	4	201121790036
1.5	Horizontal louver II	2	201121790037
1.6	Front frame	1	201121790035
1.7	Louver holder	2	201121790040
2	Air filter	1	201120490141
4.1	Control panel	1	201121790041
4.2	Cover for E-part box	1	201221390027
4.3	PCB	1	201321190050
4.4	Indoor temperature sensor	1	202432390005
4.6	Power cord	1	202402290003
5.1	E-part box	1	201221790116
5.2	Capacitor	1	202401400004
5.3	Capacitor clamp	1	201200100002
7	Remote controller	1	203355091112
8.1	Evaporator	1	201521590053
8.2	Capillary assembly	1	201621590211
10	compressor	1	201400601100
11	discharge pipe	1	201621590200
12	Condensor assembly	1	201521590054
13	Fan shell base	1	202221790014
14	Upper Fan shell	1	202221790013
15	Fan shell cover	1	202220490006
17.1	Left shutter frame	1	201120490086
17.2	Shutter	2	201120490089
17.3	Right shutter frame	1	201120490087
17.4	Shutter locking bar	2	201120490088
18	Up shutter frame	1	201221790193
19	unit cabinet	1	201221790201
20	Bottom shutter frame	1	201220490072
21	rear boarding	1	201121790203
22	chassis	1	201221790202
24	Holder for fan motor	1	201221790033
25	Connecting board	1	201221790153
26	Axialflow fan	1	201100300031
27	Motor	1	202400400950
28	Centrifugal fan	1	201100100037
29	Fresh air door	1	201121790033
30	Holder for Fresh air door	1	201120490140

Design, material, performance data and components
subject to change without notice.

HEAT CONTROLLER, INC.

1900 Wellworth Ave., Jackson, MI 49203 ♦ Ph. 517-787-2100 ♦ Fax 517-787-9341

THE QUALITY LEADER IN CONDITIONING AIR

www.heatcontroller.com