

This Owner's Manual is provided and hosted by Appliance Factory Parts.

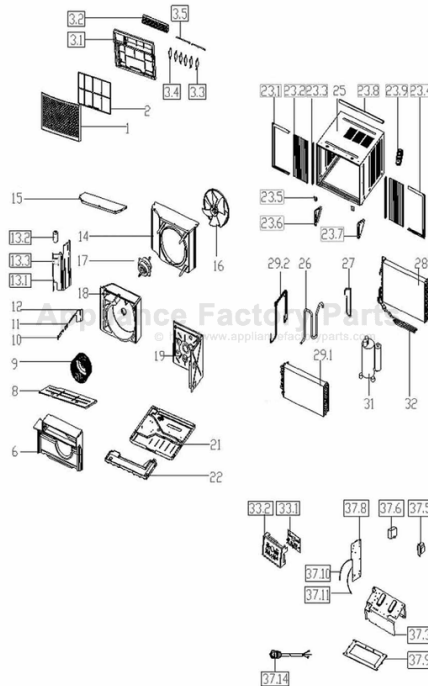


COMFORT-AIRE RADS-151G Owner's Manual

[Shop genuine replacement parts for COMFORT-AIRE RADS-151G](#)

RADS-151G Parts List Room Air Conditioner with R-410A Heat Controller, Inc.

EXPLODED VIEW



[Find Your COMFORT-AIRE Air Conditioner Parts - Select From 599 Models](#)

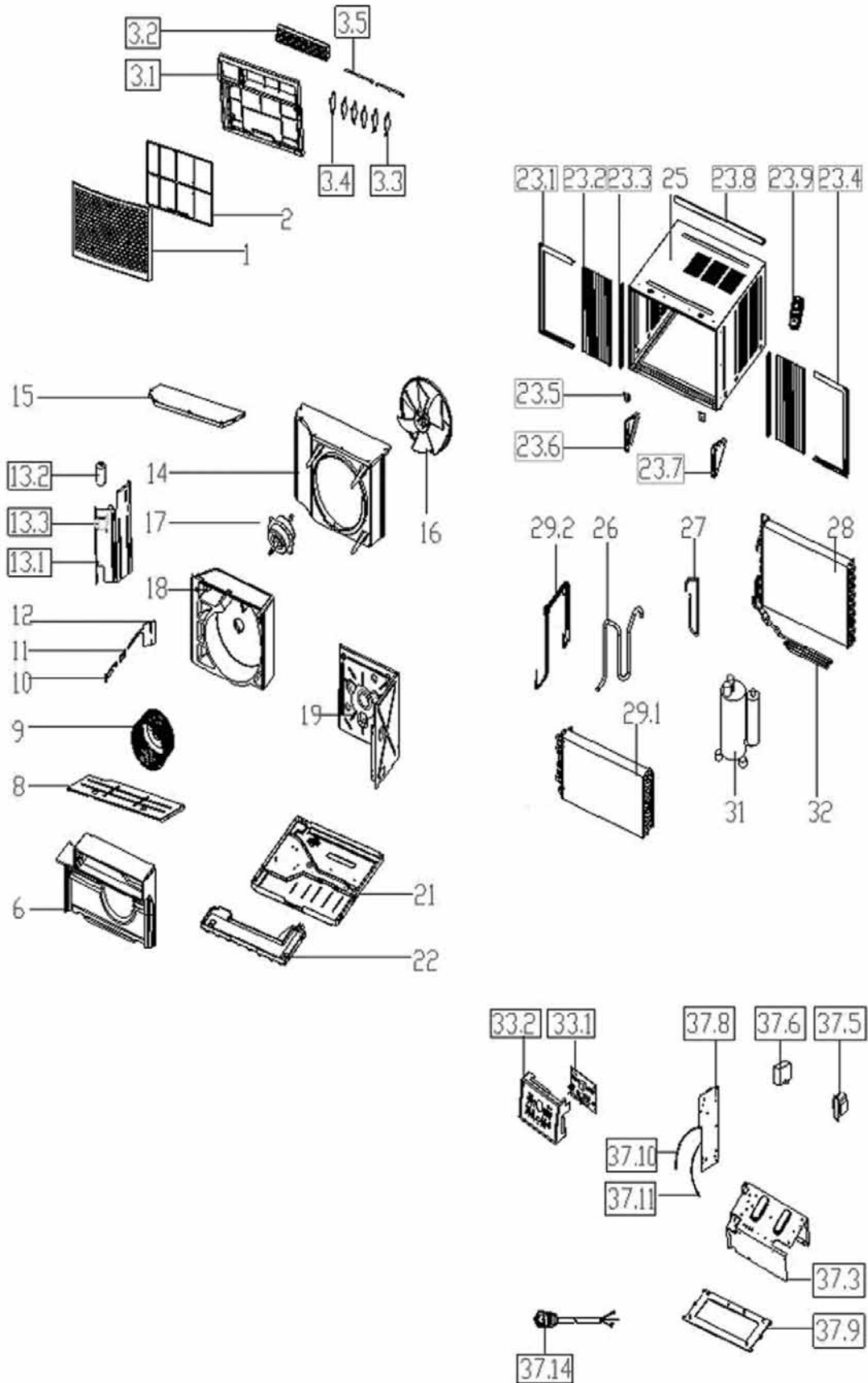
----- Manual continues below -----

HEAT CONTROLLER, INC.

REPLACEMENT PARTS LIST

**Room Air Conditioner with R-410A:
RADS-151G**

EXPLODED VIEW



REPLACEMENT PARTS

Location	Part Name	Quantity	Part No.
1	Front panel	1	201121990125
2	Air filter	1	201121990028
3.1	Panel frame	1	201121990042
3.2	Horizontal louver	1	201121990043
3.3	Vertical louver 1	2	201121990044
3.4	Vertical louver 2	4	201121990045
3.5	louver holder	2	201121990046
6	Foam,front scroll	1	202221990006
8	front cover board	1	201221990090
9	Blower wheel	1	201100100025
10	Link,ventilation door	1	201121990123
11	Guide sleeve, ventilation door	1	201121990029
12	Fresh air door	1	201121990019
13.1	Front left barrier	1	201221990098
13.2	Capacitor	1	202401000002
13.3	Capacitor clamp	1	201200100026
14	Shroud	1	201121990164
15	rear cover board	1	201121990162
16	Fan blade	1	201100320005
17	Fan motor	1	202400440110
18	Rear scroll	1	202221990004
19	Front right barrier	1	201221990017
21	Chassis	1	201221990128
22	Water drain pan	1	202221990002
23.1	Left shutter frame	1	201121990020
23.2	Shutter	2	201121990022
23.3	Connection bar to cabinet	2	201121990023
23.4	Right shutter frame	1	201121990021
23.5	Locking bar	2	201222190008
23.6	Left window bracket	1	201222190006
23.7	Right window bracket	1	201222190007
23.8	Top shutter frame	1	201221990016
23.9	Remote controller	1	203355091112
25	Cabinet	1	201221990127
26	Suction pipe	1	201621890276
27	Discharge pipe	1	201621890289
28	Condenser	1	201521890058
29.1	Evaporator	1	201521890053
29.2	Capillary assembly	1	201621890278
31	Compressor	1	201400601310
32	Super-cooling pipe	1	201621890287
33.1	Display board	1	201321890068
33.2	Control panel	1	201121990039
37.3	Electric part box	1	201221990099
37.5	transformer	1	202300900139
37.6	Capacitor	1	202401100310
37.8	Main control board	1	201321890069
37.9	Installation board for Main control board	1	201121890090
37.10	Evaporator temp sensor	1	202301300077
37.11	Indoor temp sensor	1	202301300092
37.14	Power cord	1	202402290003

Design, material, performance data and components
subject to change without notice.

HEAT CONTROLLER, INC.

1900 Wellworth Ave., Jackson, MI 49203 ♦ Ph. 517-787-2100 ♦ Fax 517-787-9341

THE QUALITY LEADER IN CONDITIONING AIR

www.heatcontroller.com