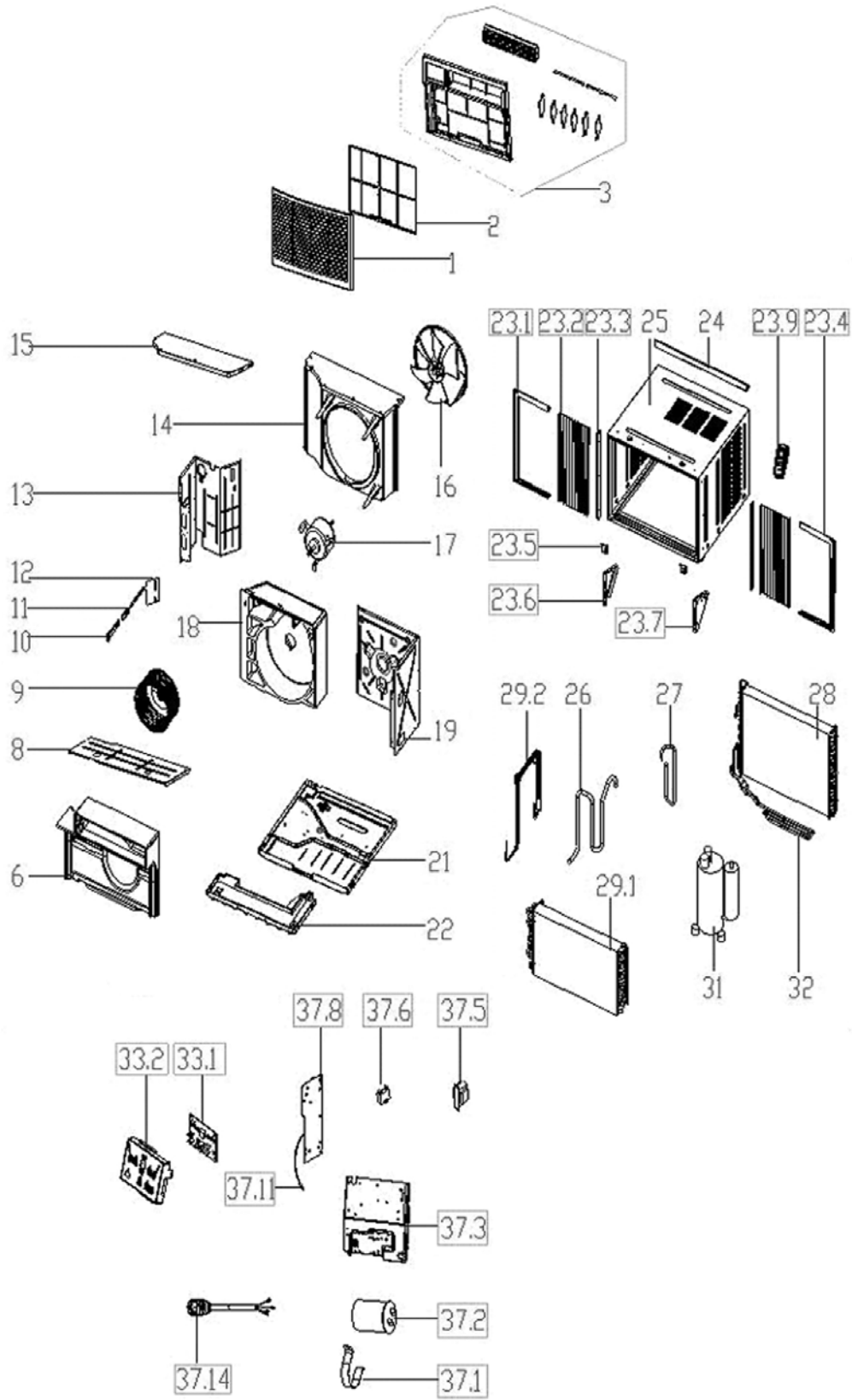


HEAT CONTROLLER, INC.

# **REPLACEMENT PARTS LIST**

**Room Air Conditioner with R-410A:  
RADS-253G**

# EXPLODED VIEW



## REPLACEMENT PARTS

Location	Part Name	Quantity	Part No.
1	Front panel	1	201122190028
2	Air filter	1	201122190006
3.5	Louver holder	2	201122190044
6	Foam,front scroll	1	202222190002
8	Front cover board	1	201222190031
9	Blower wheel	1	201100120004
10	Link,ventilation door	1	201122190081
11	Guide sleeve, ventilation door	1	201122190017
12	Fresh air door	1	201122190012
13	Front left barrier	1	201222190004
14	Shroud	1	201122190019
15	Rear cover board	1	201122190007
16	Fan blade	1	201100320005
17	Fan motor	1	202400430600
18	Rear scroll	1	202222190003
19	Front right barrier	1	201222190015
21	Chassis	1	201222190091
22	Water drain pan	1	202222190000
23.1	Left shutter frame	1	201122190011
23.2	Shutter	2	201122190009
23.3	Connection bar to cabinet	2	201122190008
23.4	Right shutter frame	1	201122190010
23.5	Locking bar	2	201222190008
23.6	Left window bracket	1	201222190006
23.7	Right window bracket	1	201222190007
23.9	Remote controller	1	203355091112
24	Top shutter frame	1	201222190090
25	Cabinet	1	201222190092
26	Suction pipe	1	201622190190
27	Discharge pipe	1	201622190208
28	Condenser	1	201522190030
29.1	Evaporator	1	201522190029
29.2	Capillary assembly	1	201622190192
31	Compressor	1	201400601300
32	Super-cooling pipe	1	201622190197
33.1	Display board	1	201322190016
33.2	Control panel	1	201122190030
37.1	Capacitor clamp	1	201222190060
37.2	Capacitor	1	202401000808
37.3	Electric part box	1	201222190052
37.5	Transformer	1	202300900113
37.6	Capacitor	1	202401190005
37.8	Main control board	1	201322090107
37.11	Indoor temp sensor	1	202301300092
37.14	Power cord	1	202419990024

Design, material, performance data and components  
subject to change without notice.

## HEAT CONTROLLER, INC.

1900 Wellworth Ave., Jackson, MI 49203 ♦ Ph. 517-787-2100 ♦ Fax 517-787-9341

THE QUALITY LEADER IN CONDITIONING AIR

[www.heatcontroller.com](http://www.heatcontroller.com)