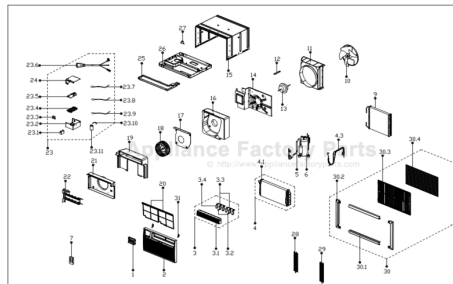


This Owner's Manual is provided and hosted by [Appliance Factory Parts](http://ApplianceFactoryParts.com).



COMFORT-AIRE BGE-103L Owner's Manual

[Shop genuine replacement parts for COMFORT-AIRE
BGE-103L](#)



[Find Your COMFORT-AIRE Air Conditioner Parts - Select From 599 Models](#)

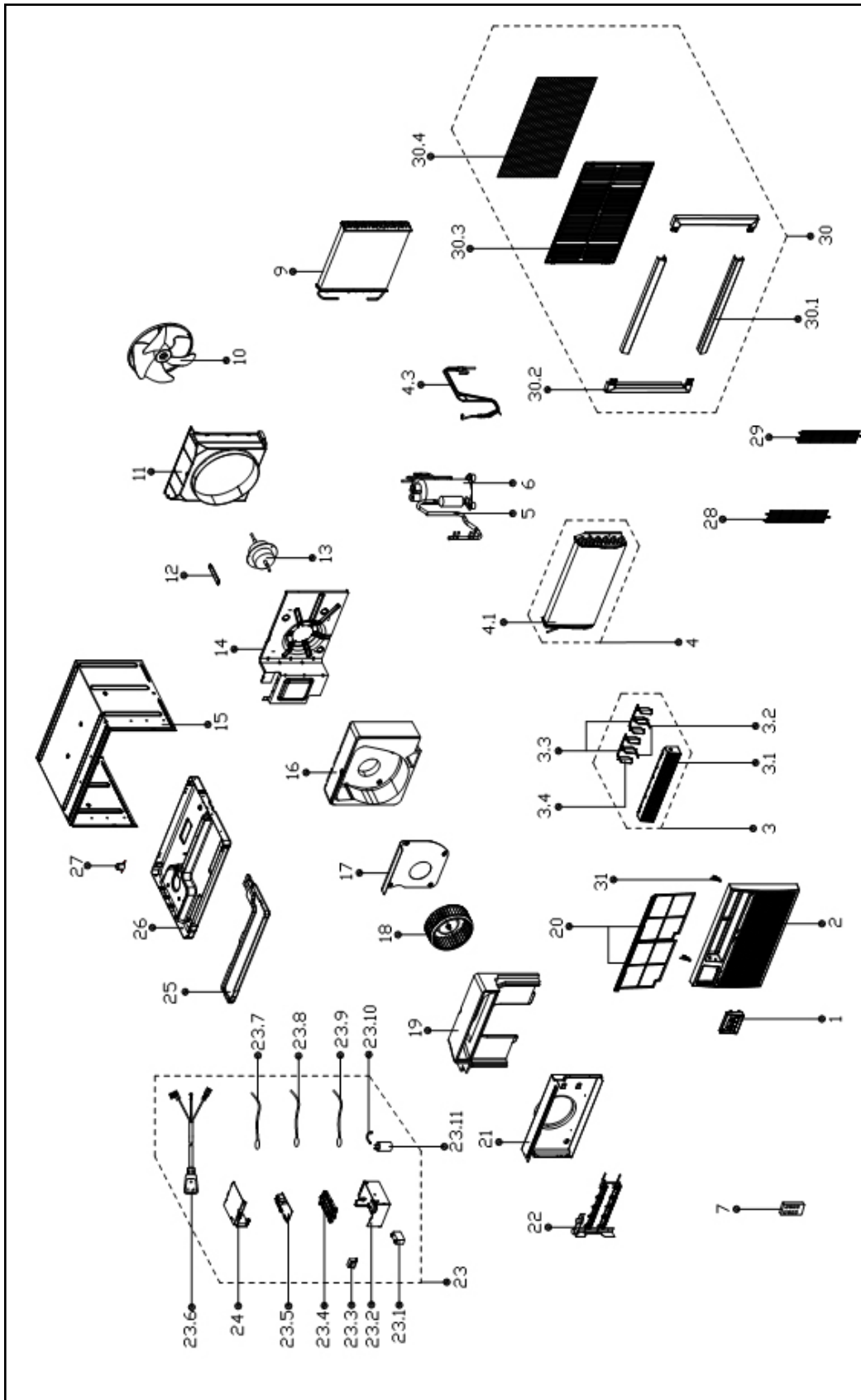
----- Manual continues below -----

HEAT CONTROLLER

**REPLACEMENT
PARTS LIST**

**Room Air Conditioner with R-410A:
BGE-103L**

EXPLODED VIEW



REPLACEMENT PARTS

| Location | Part Name | Quantity | Part No. |
|----------|---------------------------------------|----------|--------------|
| 1 | Display box assembly | 1 | 2033218A0324 |
| 2 | Front panel | 1 | 201121890037 |
| 3 | Air outlet assembly | 1 | 201121890135 |
| 3.1 | Air outlet assembly | 1 | 201121890147 |
| 3.2 | Horizontal louver | 2 | 201121890025 |
| 3.3 | Connecting rod of louver | 2 | 201121890027 |
| 3.4 | Horizontal louver | 4 | 201121890026 |
| 4 | Evaporator coil assembly | 1 | 201521590123 |
| 4.1 | Evaporator | 1 | 201521890049 |
| 4.3 | Capillary assembly | 1 | 201621590459 |
| 5 | Discharge pipe assembly | 1 | 201621590436 |
| 6 | Compressor | 1 | 201402001010 |
| 7 | Remote controller | 1 | 2033550A3128 |
| 9 | Condenser assembly | 1 | 201521590076 |
| 10 | Axial flow fan | 1 | 201100300022 |
| 11 | Rear separating | 1 | 201121390139 |
| 12 | Linker for front separating board | 1 | 201221890034 |
| 13 | Asynchronous motor | 1 | 202400400952 |
| 14 | Front separating board | 1 | 201221890033 |
| 15 | Cabinet | 1 | 201221390086 |
| 16 | Rear volute shell | 1 | 202221390003 |
| 17 | heat insulation | 1 | 201221890059 |
| 18 | Centrifugal fan | 1 | 201100100038 |
| 19 | Front volute shell | 1 | 202221890012 |
| 20 | Air filter | 1 | 201121890036 |
| 21 | Box for Electric heater | 1 | 201221890060 |
| 22 | Electric heater | 1 | 202403100268 |
| 23 | Electronic control box assembly | 1 | 203321590167 |
| 23.1 | Capacitor of fan motor | 1 | 202401100407 |
| 23.2 | Electronic control box | 1 | 201221890061 |
| 23.3 | Transformer | 1 | 202300900140 |
| 23.4 | Bracket of main control board | 1 | 201121890173 |
| 23.5 | Main control board assembly | 1 | 201321590079 |
| 23.6 | Power cord | 1 | 202402260128 |
| 23.7 | Pipe temperature sensor assembly | 1 | 202301300077 |
| 23.8 | Ambient temperature sensor assembly | 1 | 202301300210 |
| 23.9 | Discharge temperature sensor assembly | 1 | 202301310065 |
| 23.10 | Capacitor clip | 1 | 201200100053 |
| 23.11 | Capacitor of compressor 30 UF 450V | 1 | 202401000079 |
| 24 | Cover of electronic control box | 1 | 201221890058 |
| 25 | Condenser water tray | 1 | 202221890010 |
| 26 | Chassis assembly | 1 | 201221890063 |
| 27 | Drain valve | 1 | 202301610702 |
| 28 | Grille | 1 | 201221390106 |
| 29 | Grille | 1 | 201221890078 |
| 30 | Installation accessory | 1 | 202821590016 |
| 30.1 | Up and down shutter frame | 2 | 201121890007 |
| 30.2 | Left and right shutter frame | 2 | 201121890008 |
| 30.3 | Rear grille | 1 | 202921890002 |
| 30.4 | Plastic net | 1 | 201121890009 |
| 31 | Filter guide | 2 | 201121890003 |
| | Carton | | 2026215A0312 |
| | Display Label | | 2020213A1758 |

Due to ongoing product improvements, specifications and dimensions are subject to change and correction without notice or incurring obligations. Determining the application and suitability for use of any product is the responsibility of the installer. Additionally, the installer is responsible for verifying dimensional data on the actual product prior to beginning any installation preparations.

Incentive and rebate programs have precise requirements as to product performance and certification. All products meet applicable regulations in effect on date of manufacture; however, certifications are not necessarily granted for the life of a product. Therefore, it is the responsibility of the applicant to determine whether a specific model qualifies for these incentive/rebate programs.

HEAT CONTROLLER

1900 Wellworth Ave., Jackson MI 49203 • Ph. 517-787-2100 • www.heatcontroller.com

A  Company