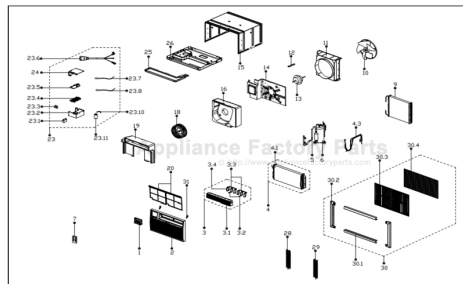


This Owner's Manual is provided and hosted by [Appliance Factory Parts](#).



# COMFORT-AIRE BG-121L Owner's Manual

[Shop genuine replacement parts for COMFORT-AIRE  
BG-121L](#)



[Find Your COMFORT-AIRE Air Conditioner Parts - Select From 599 Models](#)

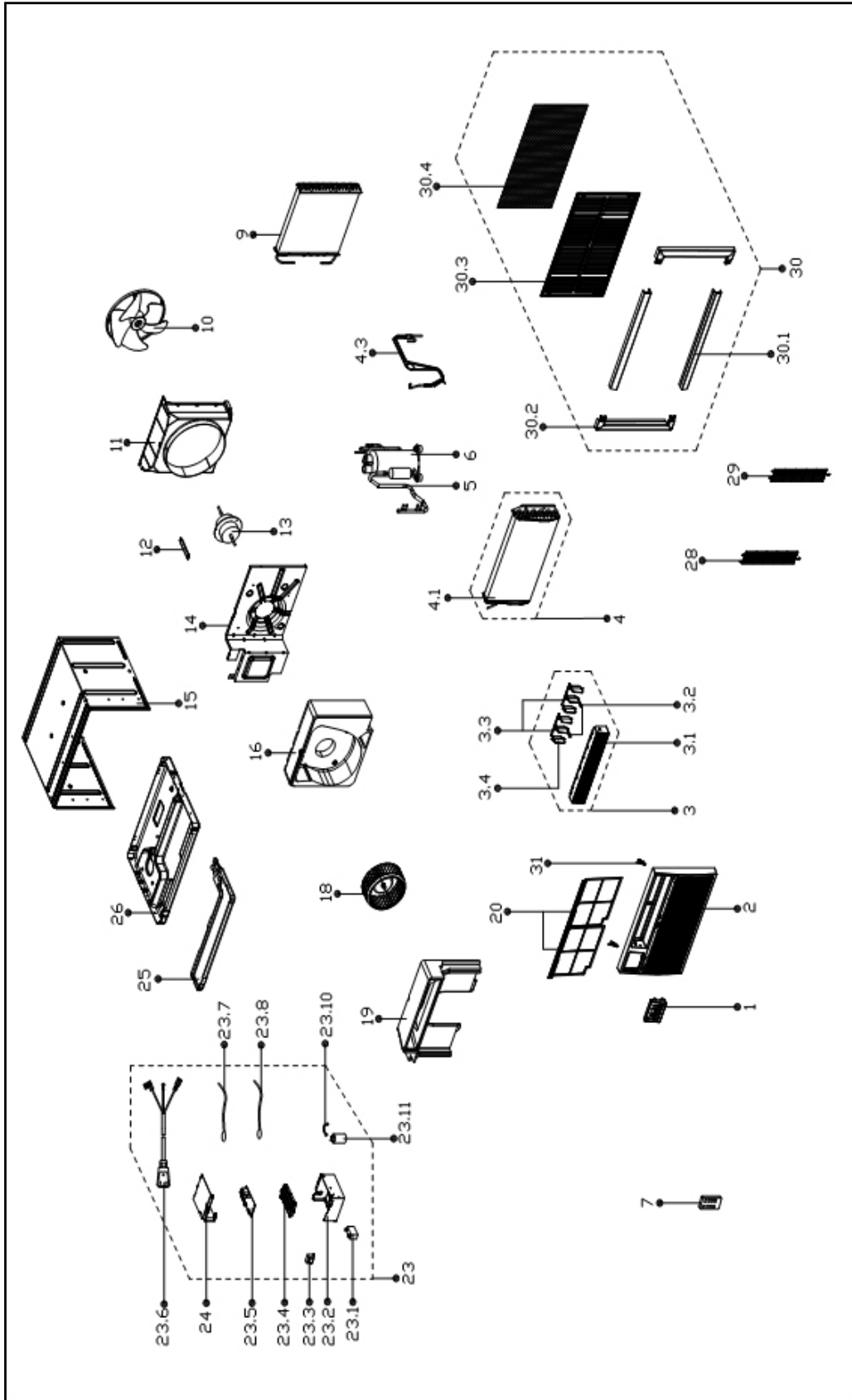
----- Manual continues below -----

HEAT CONTROLLER

**REPLACEMENT  
PARTS LIST**

**Room Air Conditioner with R-410A:  
BG-121L**

# EXPLODED VIEW



# REPLACEMENT PARTS

| Location | Part Name                           | Quantity | Part No.     |
|----------|-------------------------------------|----------|--------------|
| 1        | Display box assembly                | 1        | 2033218A0319 |
|          | Display label                       | 1        | 2020213A1732 |
| 2        | Front panel                         | 1        | 201121890037 |
| 3        | Air outlet assembly                 | 1        | 201121890031 |
| 3.1      | Air outlet assembly                 | 1        | 201121890024 |
| 3.2      | Horizontal louver                   | 2        | 201121890025 |
| 3.3      | Connecting rod of louver            | 2        | 201121890027 |
| 3.4      | Horizontal louver                   | 4        | 201121890026 |
| 4        | Evaporator coil assembly            | 1        | 201521790297 |
| 4.1      | Evaporator                          | 1        | 201521790298 |
| 4.3      | Capillary assembly                  | 1        | 201621791264 |
| 5        | Discharge pipe assembly             | 1        | 201621791212 |
| 6        | Compressor                          | 1        | 201400611179 |
| 7        | Remote controller                   | 1        | 2033550A3128 |
| 8        | Super-cooling pipe                  | 1        | 201621890387 |
| 9        | Condenser assembly                  | 1        | 201521890066 |
| 10       | Axial flow fan                      | 1        | 201100300022 |
| 11       | Rear separating                     | 1        | 201121390139 |
| 12       | Linker for front separating board   | 1        | 201221890034 |
| 13       | Asynchronous motor                  | 1        | 202400400995 |
| 14       | Front separating board              | 1        | 201221890033 |
| 15       | Cabinet                             | 1        | 201221390086 |
| 16       | Rear volute shell                   | 1        | 202221390003 |
| 18       | Centrifugal fan                     | 1        | 201100100028 |
| 19       | Front volute shell                  | 1        | 202221890013 |
| 20       | Air filter                          | 1        | 201121890036 |
| 23       | Electronic control box assembly     | 1        | 203321790314 |
| 23.1     | Capacitor of fan motor              | 1        | 202401100989 |
| 23.2     | Electronic control box              | 1        | 201221890061 |
| 23.3     | Transformer                         | 1        | 202300900139 |
| 23.4     | Bracket of main control board       | 1        | 201121890173 |
| 23.5     | Main control board assembly         | 1        | 201321990281 |
| 23.6     | Power cord                          | 1        | 202402260125 |
| 23.7     | Pipe temperature sensor assembly    | 1        | 202301300077 |
| 23.8     | Ambient temperature sensor assembly | 1        | 202301300210 |
| 23.10    | Capacitor clip                      | 1        | 201200100053 |
| 23.11    | Capacitor of compressor             | 1        | 202401000876 |
| 24       | Cover of electronic control box     | 1        | 201221890058 |
| 25       | Condenser water tray                | 1        | 202221890010 |
| 26       | Chassis assembly                    | 1        | 201221890062 |
| 28       | Grille                              | 1        | 201221390106 |
| 29       | Grille                              | 1        | 201221890078 |
| 30       | Installation accessory              | 1        | 202821590016 |
| 30.1     | Up and down shutter frame           | 2        | 201121890007 |
| 30.2     | Left and right shutter frame        | 2        | 201121890008 |
| 30.3     | Rear grille                         | 1        | 202921890002 |
| 30.4     | Plastic net                         | 1        | 201121890009 |
| 31       | Filter guide                        | 2        | 201121890003 |
|          | Carton                              | 1        | 2026217A1734 |
|          | Display                             | 1        | 2020213A1732 |

Due to ongoing product improvements, specifications and dimensions are subject to change and correction without notice or incurring obligations. Determining the application and suitability for use of any product is the responsibility of the installer. Additionally, the installer is responsible for verifying dimensional data on the actual product prior to beginning any installation preparations.

Incentive and rebate programs have precise requirements as to product performance and certification. All products meet applicable regulations in effect on date of manufacture; however, certifications are not necessarily granted for the life of a product. Therefore, it is the responsibility of the applicant to determine whether a specific model qualifies for these incentive/rebate programs.

# HEAT CONTROLLER

1900 Wellworth Ave., Jackson MI 49203 • Ph. 517-787-2100 • [www.heatcontroller.com](http://www.heatcontroller.com)

A  Company