

This Owner's Manual is provided and hosted by [Appliance Factory Parts](http://Appliance Factory Parts).

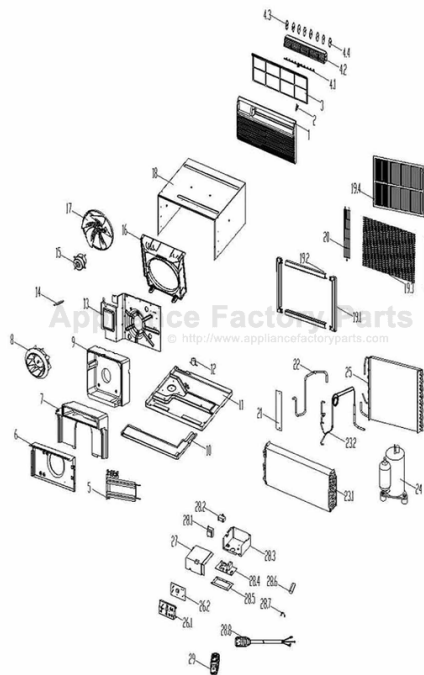


# COMFORT-AIRE BGE-103G Owner's Manual

[Shop genuine replacement parts for COMFORT-AIRE  
BGE-103G](#)

BGE-103G Parts List Room Air Conditioner with R-410A Heat Controller, Inc.

## EXPLODED VIEW



[Find Your COMFORT-AIRE Air Conditioner Parts - Select From 599 Models](#)

----- Manual continues below part list -----

## Available Replacement Parts for COMFORT-AIRE BGE-103G

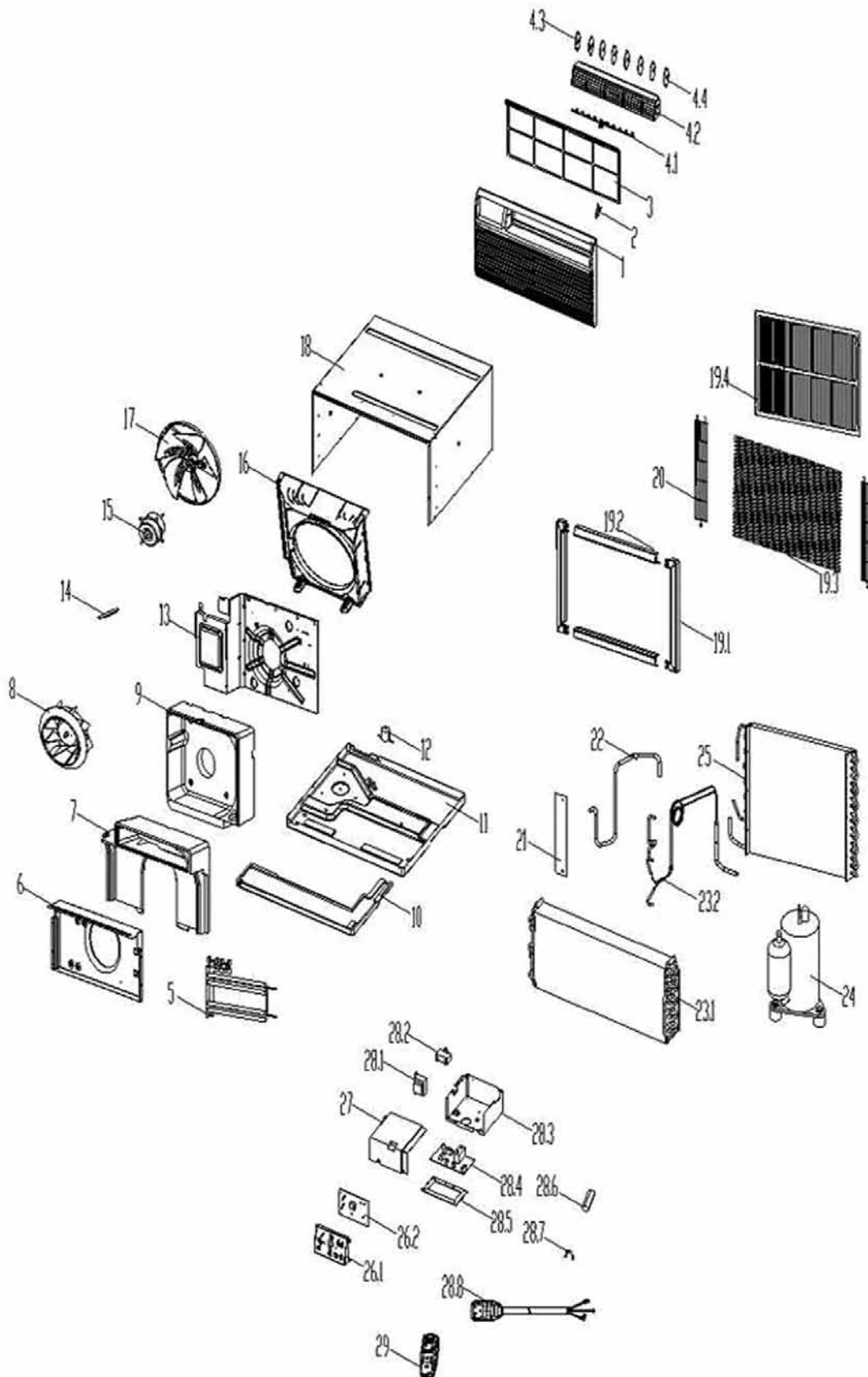
<a href="#">12120300A22046</a>	PANEL
<a href="#">12120300A23728</a>	FILTER
<a href="#">202400400952</a>	FAN MOTOR

HEAT CONTROLLER, INC.

# **REPLACEMENT PARTS LIST**

**Room Air Conditioner with R-410A:  
BGE-103G**

# EXPLODED VIEW



# REPLACEMENT PARTS

Location	Part Name	Quantity	Part No.
1	Front panel	1	201121890037
2	Air filter guide	2	201121890003
3	Air filter	1	201121890036
4.1	Louver connection bar	2	201121890035
4.2	Horizontal louver	1	201121890043
4.3	Vertical louver	2	201121890033
4.4	Vertical louver	6	201121890034
5	Electric heater	1	202403100268
6	Box for Electric heater	1	201221890060
7	Foam,front scroll	1	202221890012
8	Blower wheel	1	201100100038
9	Foam,rear scroll	1	202221390003
10	Foam,drip tray	1	202221890010
11	Chassis assembly	1	201221890063
12	Drain valve	1	202301610702
13	Front separating board	1	201221890033
14	Link, Front separating board	1	201221890034
15	Fan motor	1	202400400952
16	Rear separating board	1	201121890053
17	Axial flow fan	1	201100300022
18	Cabinet	1	201221390086
19.1	Left and right frame bar	2	201121890008
19.2	Up and down frame bar	2	201121890007
19.3	Plastic net	1	201121890009
19.4	Sleeve rear grille	1	202921890000
20	Rear net, air inlet	2	201221890031
21	Separating board for power cord	1	201121890017
22	Discharge pipe	1	201621590227
23	Evaporator assembly	1	201521590061
23.1	Evaporator	1	201521590057
23.2	Capillary assembly	1	201621590224
24	Compressor	1	201400601120
25	Condenser assembly	1	201521790203
26.1	Control box	1	201121890029
26.2	Display board assembly	1	201321990276
27	Cover, E-part box	1	201221890058
28.1	Transformer	1	202300900140
28.2	Fan motor capacitor	1	202401100407
28.3	E-part box	1	201221890057
28.4	Main control board assembly	1	201321590057
28.5	Installation board for E-part box	1	201121890090
28.6	Capacitor	1	202401000410
28.7	Capacitor clamp	1	201225590021
28.8	Power cord assembly	1	202402260128
29	Remote controller	1	203355091112

Design, material, performance data and components  
subject to change without notice.

## HEAT CONTROLLER, INC.

1900 Wellworth Ave., Jackson, MI 49203 ♦ Ph. 517-787-2100 ♦ Fax 517-787-9341

THE QUALITY LEADER IN CONDITIONING AIR

[www.heatcontroller.com](http://www.heatcontroller.com)