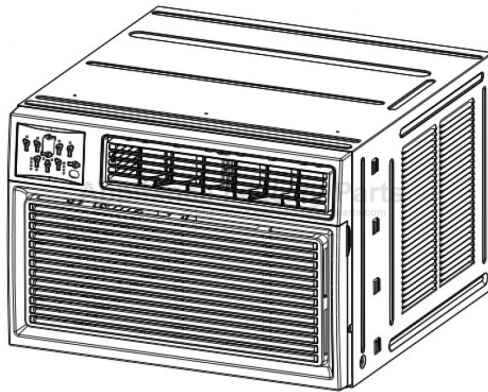


This Owner's Manual is provided and hosted by [Appliance Factory Parts](#).



COMFORT-AIRE REG-123J Owner's Manual

[Shop genuine replacement parts for COMFORT-AIRE
REG-123J](#)



[Find Your COMFORT-AIRE Air Conditioner Parts - Select From 599 Models](#)

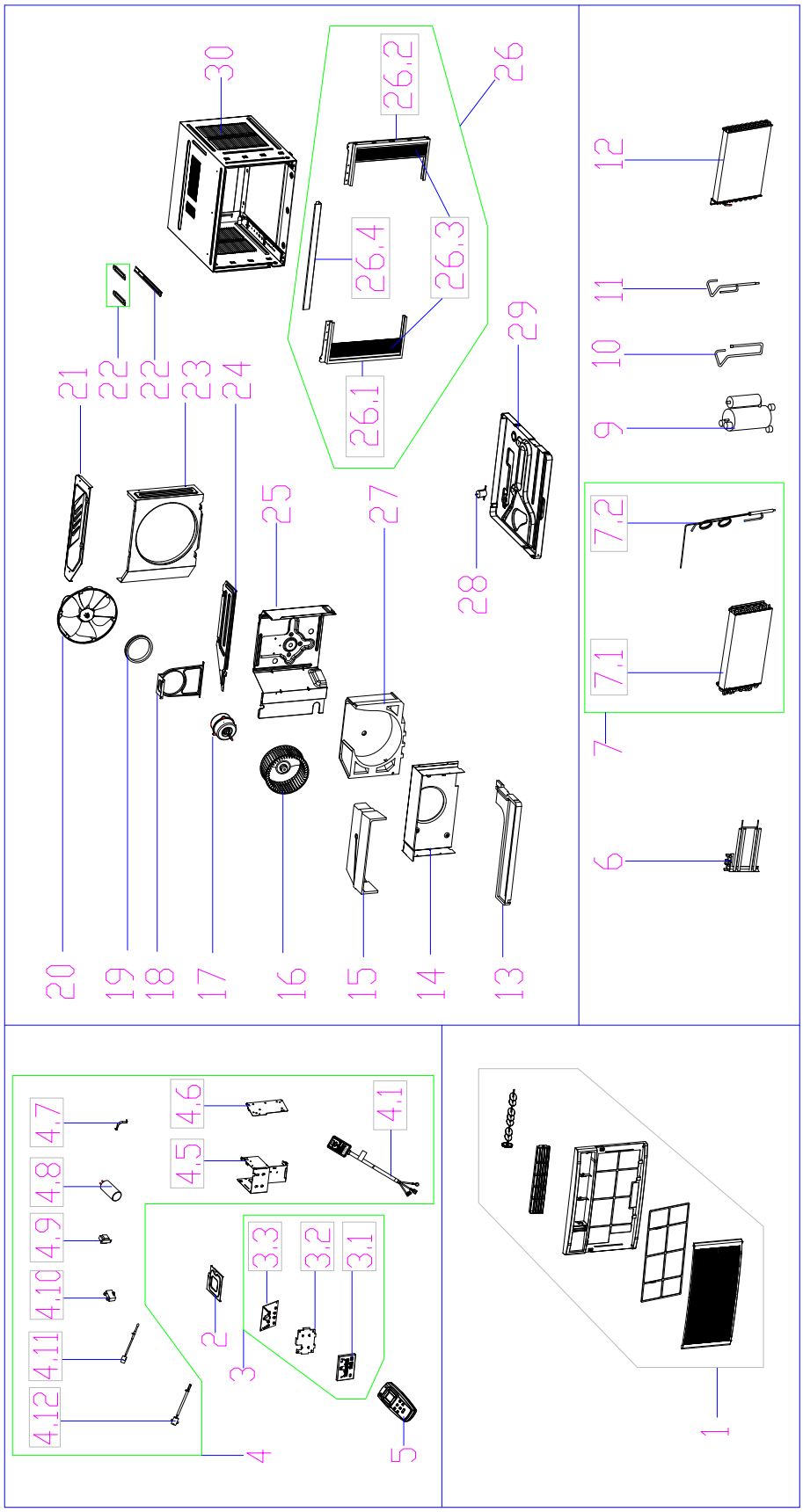
----- Manual continues below -----

HEAT CONTROLLER

**REPLACEMENT
PARTS LIST**

**Room Air Conditioner with R-410A:
REG-123J**

EXPLODED VIEW



REPLACEMENT PARTS

Location	Part Name	Quantity	Part No.
1	Panel assembly	1	2011213A0065
1.3	Air filter	1	201121790244
1.4	Air outlet assembly	1	2011213A0100
2	Cover of electronic control box	1	201221390055
3	Display box assembly (including 3.1 & 3.2)	1	2033219A0256
3.1	Control panel (order with 3.2)	1	2011213A0059
3.2	Display Panel artwork (order with 3.1)		2020213A0797
4	Electronic control box assembly	1	2033217A0351
4.1	Power cord	1	202419990025
4.5	Electronic control box	1	201221390056
4.6	Main control board assembly	1	201321790112
4.7	Capacitor clip	1	201200100038
4.8	Capacitor of compressor	1	202401000508
4.9	Transformer	1	202300900140
4.10	Capacitor of fan motor	1	202401100407
4.11	Indoor temperature sensor assembly	1	202301300092
4.12	Pipe temperature sensor assembly	1	202301300077
5	Remote controller	1	2033550A3128
6	Electric heater	1	202403100268
7	Evaporator coil assembly	1	201521790207
7.1	Evaporator	1	201521790208
7.2	Capillary assembly	1	201621790709
9	Compressor	1	201402000480
10	Suction pipe assembly	1	201621790456
11	Discharge pipe assembly	1	201621790750
12	Condenser assembly	1	201521390057
13	Condenser water tray	1	202221790011
14	Air-inlet board	1	201221390058
15	Upper volute shell	1	202621390026
16	Centrifugal fan	1	201100100026
17	Asynchronous motor	1	202400401128
18	Supporter assembly of fan motor	1	201221390046
19	Washer for motor bracket	1	202721390004
20	Axial flow fan	1	201100300023
21	Rear cover	1	201221790106
22	Connecting board	1	201221390045
22	Connecting board	2	201221790102
23	Rear separating	1	201221390059
24	Front cover	1	201221390054
25	Front separating board	1	201221790103
26	Installation accessory	1	202821390007
26.1	Left shutter frame	1	201121390067
26.2	Right shutter frame	1	201121390068
26.3	Shutter	2	201121790223
26.4	Top shutter frame	1	201221390060
27	Volute Shell	1	202221390001
28	Drain valve	1	202301610703
29	Chassis assembly	1	201221390063
30	Cabinet assembly	1	201221390119

Due to ongoing product improvements, specifications and dimensions are subject to change and correction without notice or incurring obligations. Determining the application and suitability for use of any product is the responsibility of the installer. Additionally, the installer is responsible for verifying dimensional data on the actual product prior to beginning any installation preparations.

Incentive and rebate programs have precise requirements as to product performance and certification. All products meet applicable regulations in effect on date of manufacture; however, certifications are not necessarily granted for the life of a product. Therefore, it is the responsibility of the applicant to determine whether a specific model qualifies for these incentive/rebate programs.

HEAT CONTROLLER

1900 Wellworth Ave., Jackson MI 49203 • Ph. 517-787-2100 • www.heatcontroller.com

A  Company