

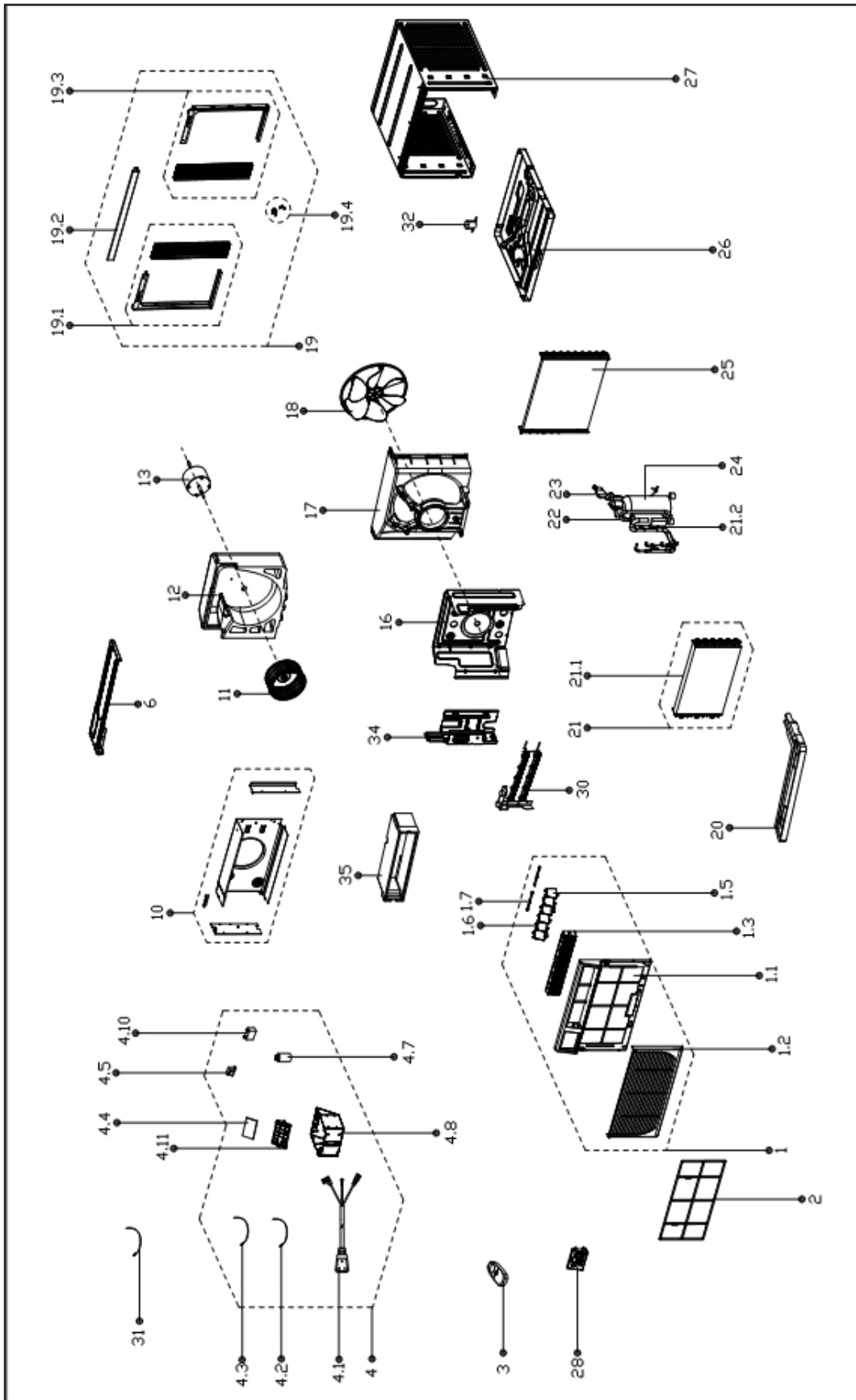


PARTS LIST

Room Air Conditioner with R-410A

REG-123M

EXPLODED VIEW



REPLACEMENT PARTS

Location	Part Name	Quantity	Part No.
1	Panel assembly	1.0	12120300A00817
1.1	Panel frame	1.0	12120300A00779
1.2	Panel	1.0	12120300000060
1.3	Air Out Frame	1.0	12120300A00609
1.5	Louver	4.0	12120300000720
1.6	Louver	2.0	12120300000755
1.7	Louver Holder	2.0	12120300000990
2	Filter	1.0	12100204000202
3	Remote controller	1.0	17317000A03529
4	E-Parts Box Subassembly of Upper Air-out Window Series	1.0	17220300000525
4.1	Power Supply Cable Subassembly	1.0	17401202000107
4.3	Temperature Sensor	1.0	11201007000126
4.4	Main Control Board Subassembly	1.0	17120300000438
4.5	Power Transformer	1.0	11203103000249
4.7	Compressor Capacitor (Round)	1.0	17400103000055
4.8	Structure Subassembly of Electrical Control Box	1.0	12220300000510
4.10	Fan Motor Capacitor	1.0	17400101000008
4.11	Mounting rack of main control panel	1.0	12120300000521
6	Front clapboard	1.0	12220300000525
10	Air inlet aperture board subassembly	1.0	12220300000547
11	Centrifugal Fan	1.0	12100103000030
12	Rear Air Duct Foam	1.0	12820300000044
13	Single-phase Asynchronous Motor	1.0	11002012002012
16	Front Boarding assembly	1.0	12220300000571
17	Rear barrier Subassembly	1.0	12120300000567
18	Axial fan	1.0	12100105000036
19	Installing Accessories	1.0	12020300000013
19.1	Left shutter frame Subassembly	1.0	12120300001293
19.2	Upper Shutter Frame	1.0	12220300000894
19.3	Right Shutter Frame Subassembly	1.0	12120300001359
19.4	Installing Screw Bag of Accessories	1.0	12020300000023
20	Drain Pan	1.0	12820300000058
21	Evaporator assembly Gas valve assembly	1.0	15820300000186
21.1	Evaporator	1.0	15820300000465
24	Fixed speed rotary compressor	1.0	11103010001161
25	Condenser Assembly	1.0	15820300000625
26	Chassis Assembly	1.0	12220300000376
27	Floor Assembly	1.0	12220300000819
28	Structure Subassembly of Display Box	1.0	17220300A01677
30	Electric Heater Assembly	1.0	17402004000036
32	Thermal drain valve	1.0	17400510000001
34	Front left Boarding	1.0	12220300000580
35	Front Air Duct Foam	1.0	12820300000066
30	Display label	1	16020300A03764

Due to ongoing product improvements, specifications and dimensions are subject to change and correction without notice or incurring obligations. Determining the application and suitability for use of any product is the responsibility of the installer. Additionally, the installer is responsible for verifying dimensional data on the actual product prior to beginning any installation preparations.

Incentive and rebate programs have precise requirements as to product performance and certification. All products meet applicable regulations in effect on date of manufacture; however, certifications are not necessarily granted for the life of a product. Therefore, it is the responsibility of the applicant to determine whether a specific model qualifies for these incentive/rebate programs.

Comfort-Aire®

1900 Wellworth Ave., Jackson, MI 49203 • Ph. 517-787-2100 • www.marsdelivers.com

