

This Owner's Manual is provided and hosted by [Appliance Factory Parts](#).

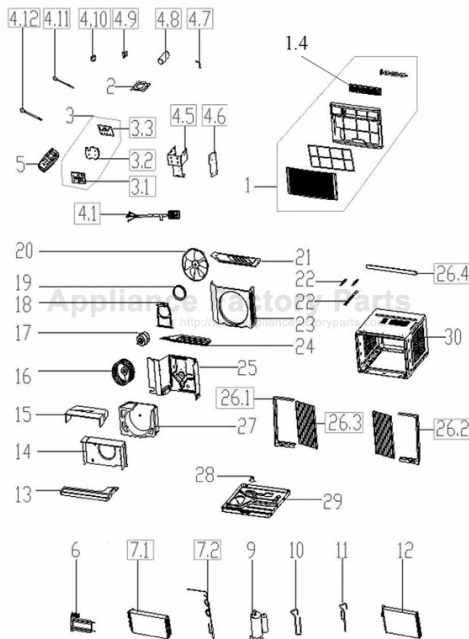


# COMFORT-AIRE REG-123G Owner's Manual

[Shop genuine replacement parts for COMFORT-AIRE  
REG-123G](#)

REG-123G Parts List Room Air Conditioner with R-410A Heat Controller, Inc.

## EXPLODED VIEW



[Find Your COMFORT-AIRE Air Conditioner Parts - Select From 599 Models](#)

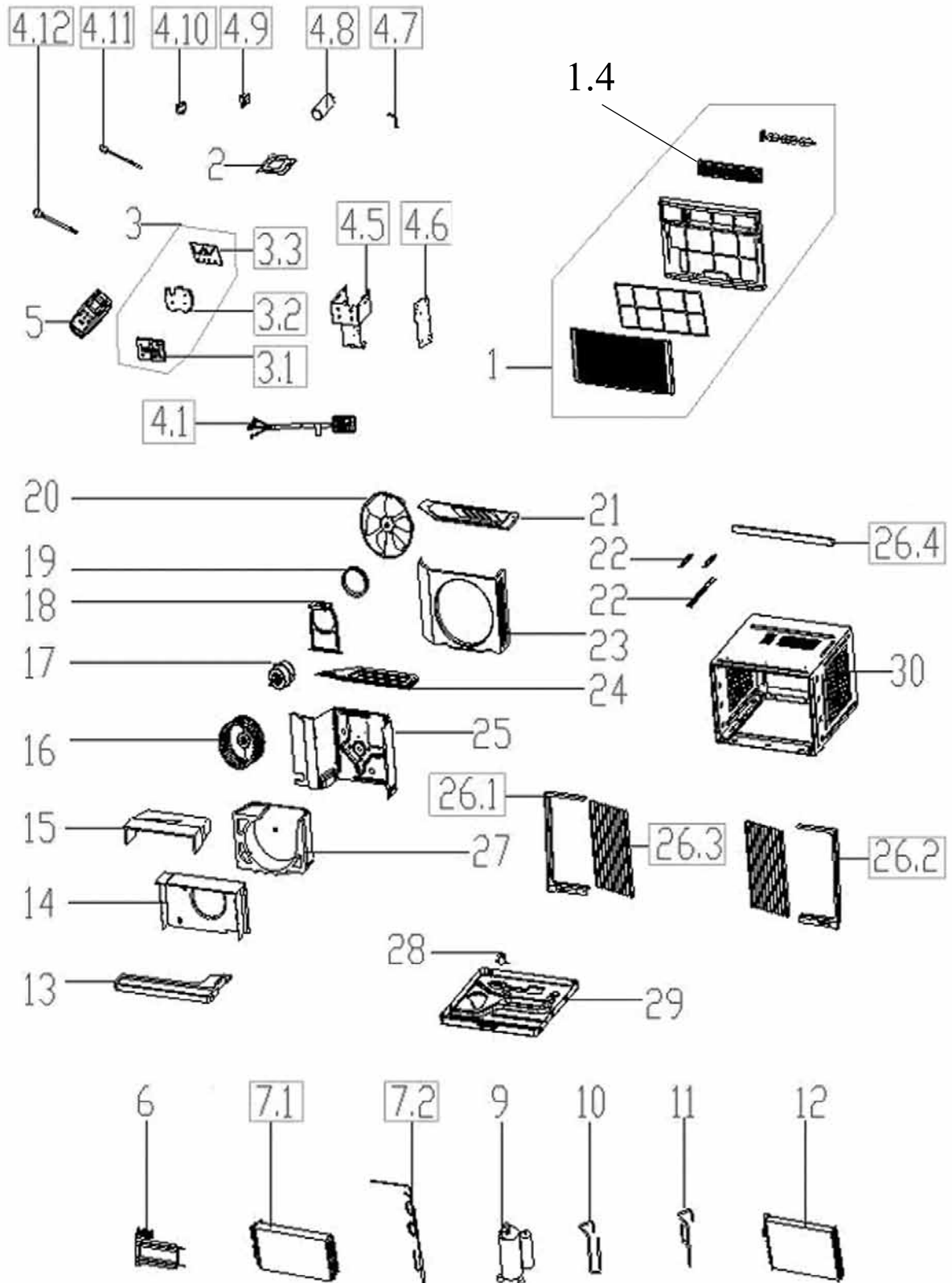
----- Manual continues below -----

HEAT CONTROLLER, INC.

# **REPLACEMENT PARTS LIST**

**Room Air Conditioner with R-410A:  
REG-123G**

# EXPLODED VIEW



# REPLACEMENT PARTS

Location	Part Name	Quantity	Part No.
1	Frame	1	201121390021
1.4	Horizontal louver	1	201121790189
2	Cover for Electric part box	1	201221390055
3.1	Control panel	1	201121790142
3.2	Control cover	1	201121790143
3.3	display board assembly	1	201321390023
4.1	Power cord	1	202419990025
4.5	Electric part box	1	201221390056
4.6	Main control board	1	201321790099
4.7	Capacitor clamp	1	201200100038
4.8	Capacitor	1	202401000508
4.9	Transformer	1	202300900140
4.10	Capacitor for fan	1	202401100407
4.11	Indoor temp sensor	1	202301300092
4.12	Evaporator temp sensor	1	202301300077
5	Remote controller	1	203355091280
6	Electric heater	1	202403100268
7.1	Evaporator	1	201521790208
7.2	Capillary assembly	1	201621790709
9	Compressor	1	201402000480
10	Suction pipe	1	201621790456
11	Discharge pipe	1	201621790750
12	Condenser	1	201521390057
13	Water drain pan	1	202221790011
14	Air-inlet board	1	201221390058
15	Foam for air-out	1	202621390026
16	Blower wheel	1	201100100026
17	Fan motor	1	202400400259
18	Holder for fan motor	1	201221390046
19	Washer,Holder for fan motor	1	202721390004
20	Fan blade	1	201100300023
21	Rear cover board	1	201221790106
22	Connecting board	2	201221790102
22	Connecting board	1	201221390045
23	Rear separating board	1	201221390059
24	Front cover board	1	201221390054
25	Front separating board	1	201221790103
26.1	Left shutter frame	1	201121390019
26.2	Right shutter frame	1	201121390020
26.3	Shutter	2	201121790138
26.4	Upper shutter frame	1	201221390065
27	Volute Shell	1	202221390001
28	Drain valve	1	202301610703
29	Chassis	1	201221390057
30	Cabinet	1	201221390064

Design, material, performance data and components  
subject to change without notice.

## HEAT CONTROLLER, INC.

1900 Wellworth Ave., Jackson, MI 49203 ♦ Ph. 517-787-2100 ♦ Fax 517-787-9341

THE QUALITY LEADER IN CONDITIONING AIR

[www.heatcontroller.com](http://www.heatcontroller.com)