

This Owner's Manual is provided and hosted by [Appliance Factory Parts](#).



COMFORT-AIRE REG-183M Owner's Manual

[Shop genuine replacement parts for COMFORT-AIRE
REG-183M](#)



[Find Your COMFORT-AIRE Air Conditioner Parts - Select From 599 Models](#)

----- Manual continues below -----

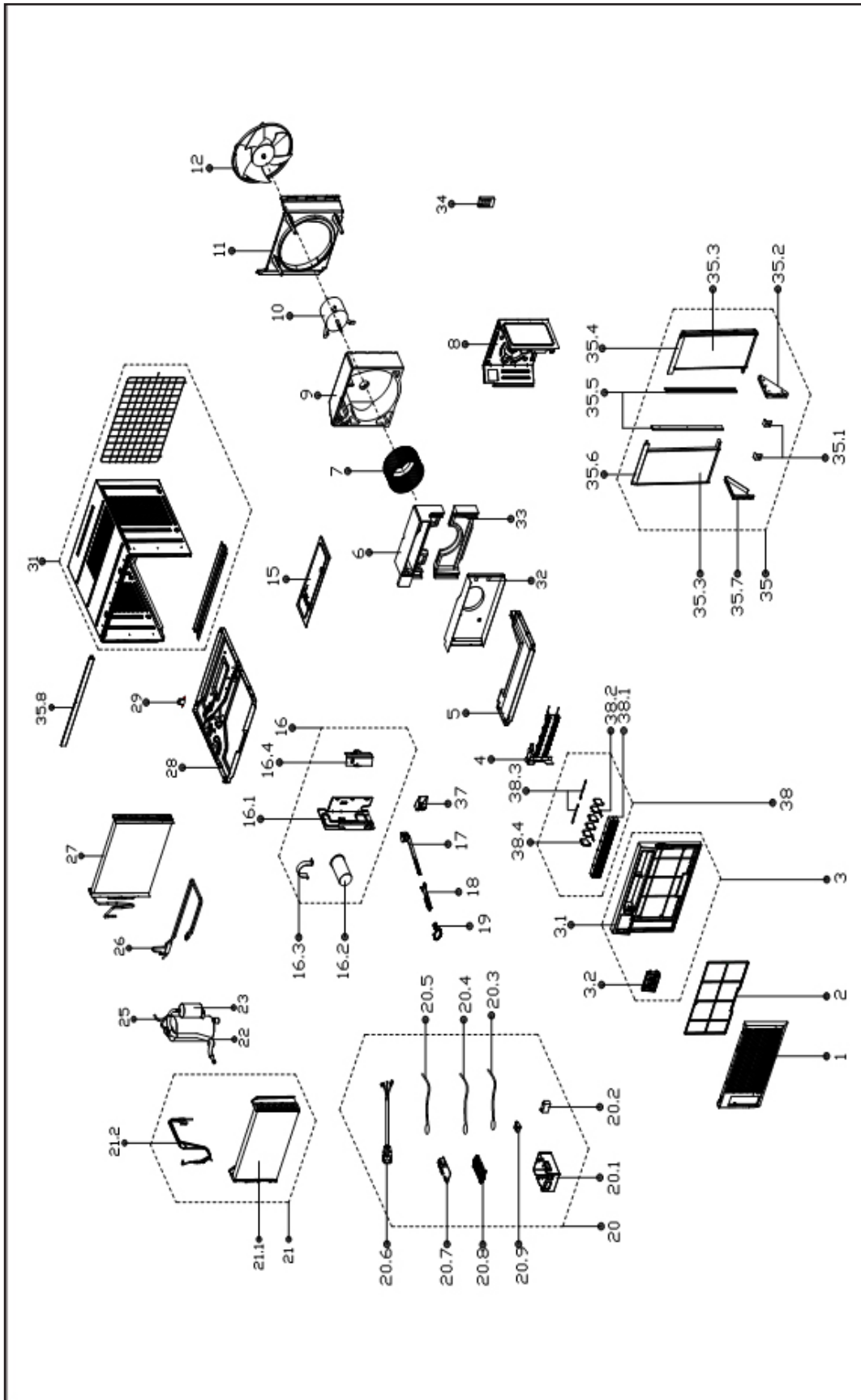
Comfort-Care®



Room Air Conditioner with R-410A

REG-183M

EXPLODED VIEW



REPLACEMENT PARTS

Location	Part Name	Quantity	Part No.
1	Panel	1.0	12120300A00717
2	Filter	1.0	12100204A00047
3	Panel frame assembly	1.0	12120300A01763
3.1	Panel frame	1.0	12120300A00827
3.2	Structure Subassembly of Display Box	1.0	17220300A01677
4	Electric Heater Assembly	1.0	17402004000029
5	Drain Pan	1.0	12820300000025
6	Front Upper Air Duct Foam	1.0	12820300000081
7	Centrifugal Fan	1.0	12100103000048
8	Front right Boarding assembly	1.0	12220300000575
9	Rear Air Duct Foam Subassembly	1.0	12820300000053
10	Single-phase Asynchronous Motor	1.0	11002012000361
11	Rear barrier Subassembly	1.0	12120300000561
12	Axial fan	1.0	12100105000076
15	Front clapboard	1.0	12220300000524
16	Front left Boarding	1.0	12220300000581
16.1	Front left Boarding assembly	1.0	12220300000584
16.2	Compressor Capacitor(Round)	1.0	17400103000053
16.3	Capacitor Clamp	1.0	12200203000029
16.4	Electrical Heating and Installing Box	1.0	12220300000459
17	Pull rod I of new vent door	1.0	12120300000425
18	Pocket II of new vent door	1.0	12120300001286
19	Pull rod II-B7 of new vent door	1.0	12120300000427
20	E-Parts Box Assembly of Upper Air-out Window Series - E-Parts Box	1.0	17220300000604
20.1	Welding Parts of Electrical Control Box	1.0	12220300000505
20.2	Fan Capacitor	1.0	17400101000001
20.3	Temperature Sensor	1.0	11201007000126
20.4	Room Temperature Sensor	1.0	11201007000088
20.5	Discharge temperature sensor assembly	1.0	11201007000198
20.6	Power Supply Cable Subassembly	1.0	17401202000149
20.7	Main Control Board Subassembly - Medium Wind, Blow, Free of Heat Pump, 230V Cool/heat Unit, MED	1.0	17120300000505
20.8	Mounting rack of main control panel	1.0	12120300000521
20.9	Power Transformer	1.0	11203103000249
21	Evaporator assembly Gas valve assembly	1.0	15820300000061
21.1	Evaporator	1.0	15820300000419
21.2	Capillary Assembly	1.0	15120300001223
22	Parts of compressor return pipe	1.0	15120300001340
23	Fixed speed rotary compressor	1.0	11103010000080
25	Parts of compressor exhaust pipe	1.0	15120300001056
26	Sub-cooling pipe assembly	1.0	15120300001137
27	Condenser Assembly	1.0	15820300000561
28	Floor Subassembly	1.0	12220300000416
29	Thermal drain valve	1.0	17400510000001
31	Chassis Subassembly	1.0	12220300000821
32	Electrical Heating and Installing Box	1.0	12220300000458
33	Front Lower Air Duct Foam	1.0	12820300000089
34	Remote controller	1.0	17317000A03529
35	Installing Accessories	1.0	12020300000053
35.1	Installing Located Block	2.0	12220300000536
35.2	Right clapboard	1.0	12220300000929
35.3	Shutter	2.0	12120300001327
35.4	Right shutter frame	1.0	12120300001355
35.5	Connection Bar on Case	2.0	12120300001348
35.6	Left frame strip	1.0	12120300001388
35.7	Left supporting panel	1.0	12220300000932
35.8	Upper Shutter Frame	1.0	12220300000897
37	Pocket of new vent door	1.0	12120300001264
38	Air Out Frame assembly	1.0	12120300A00635
38.1	Air Out Frame	1.0	12120300000822
38.2	Louver	2.0	12120300A00582
38.3	Louver Holder	2.0	12120300A00689
38.4	Louver	4.0	12120300A00586
	Display label	1	16020300A03764

Due to ongoing product improvements, specifications and dimensions are subject to change and correction without notice or incurring obligations. Determining the application and suitability for use of any product is the responsibility of the installer. Additionally, the installer is responsible for verifying dimensional data on the actual product prior to beginning any installation preparations.

Incentive and rebate programs have precise requirements as to product performance and certification. All products meet applicable regulations in effect on date of manufacture; however, certifications are not necessarily granted for the life of a product. Therefore, it is the responsibility of the applicant to determine whether a specific model qualifies for these incentive/rebate programs.

Comfort-Cire[®]

1900 Wellworth Ave., Jackson, MI 49203 • Ph. 517-787-2100 • www.marsdelivers.com

