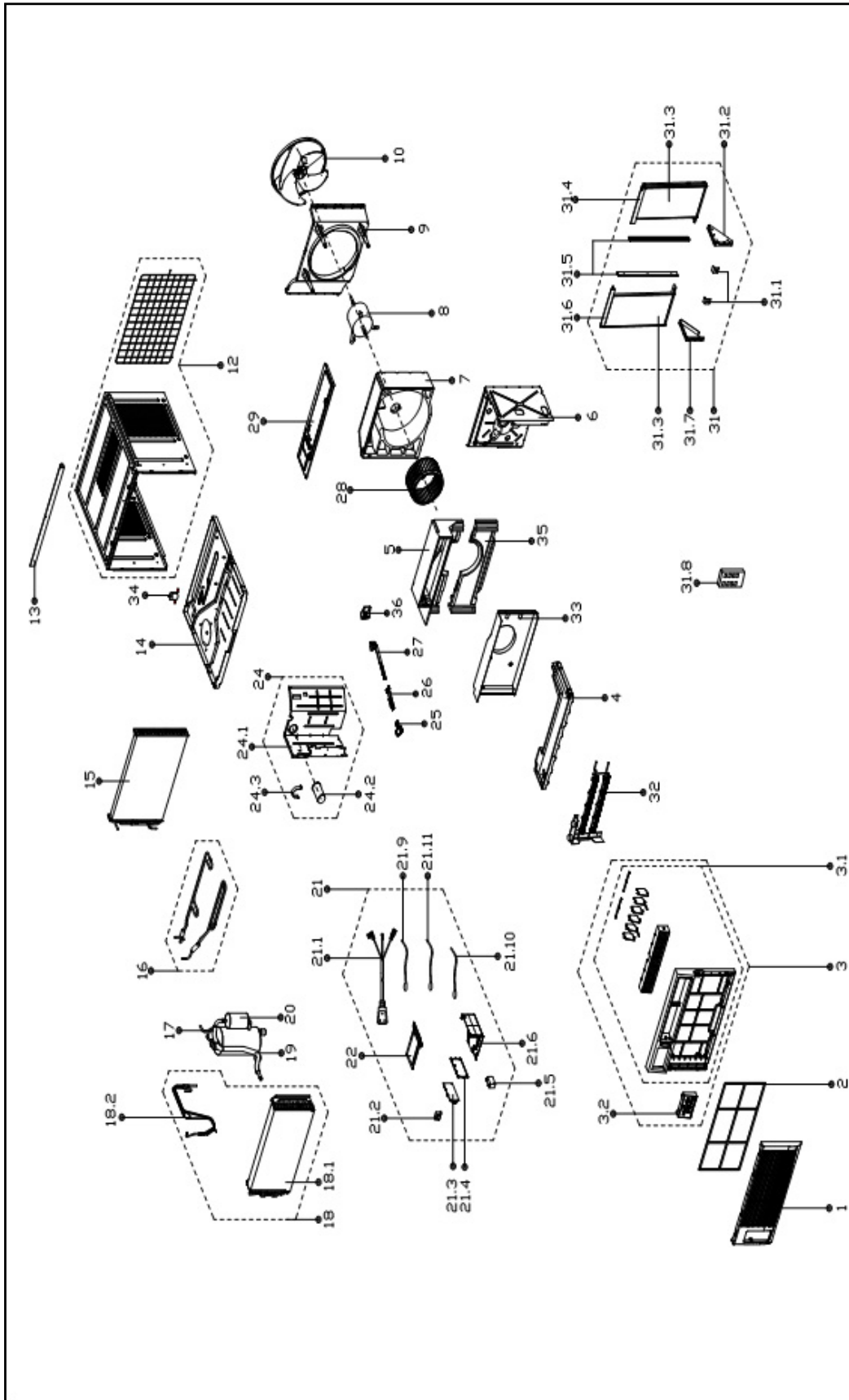


HEAT CONTROLLER

**REPLACEMENT
PARTS LIST**

**Room Air Conditioner with R-410A:
REG-253L**

EXPLODED VIEW



REPLACEMENT PARTS

Location	Part Name	Quantity	Part No.
1	Front panel	1	2011221A0153
2	Air filter	1	201122190079
3	Front panel and Panel frame assembly	1	2011221A0177
3.1	Front panel and Panel frame assembly	1	2011221A0333
3.2	Display box assembly	1	2033221A0044
4	Water collector	1	202222190000
5	Front volute shell	1	202222190028
6	Front right barrier board assembly	1	201222190131
7	Rear volute shell	1	202222190027
8	Asynchronous motor	1	202400401076
9	Rear barrier board assembly	1	201122190214
10	Axial flow fan	1	201100320005
12	Cabinet assembly	1	201222190104
13	Top shutter frame	1	201222190116
14	Chassis assembly	1	201222190105
15	Condenser assembly	1	201522090082
16	Cooling coil	1	201622190197
17	Discharge pipe	1	201622190318
18	Evaporator assembly	1	201522190060
18.1	Evaporator assembly	1	201522190056
18.2	Capillary assembly	1	201622190319
19	Suction pipe assembly	1	201622190272
20	Compressor	1	201400601300
21	Electronic control box assembly	1	203322190162
21.1	Power cord	1	202402290016
21.2	Transformer	1	202300900140
21.3	Main control board assembly	1	201322190074
21.4	Bracket of main control board	1	201121890173
21.5	Capacitor of fan motor	1	202401100967
21.6	Electronic control box	1	201222190130
21.9	Ambient temperature sensor assembly	1	202301300210
21.10	Discharge temperature sensor assembly	1	202301310065
21.11	Pipe temperature sensor assembly	1	202301300077
24	Front left barrier board assembly	1	203322190152
24.1	Front left barrier board assembly	1	201222190129
24.2	Capacitor of compressor	1	202401000075
24.3	Capacitor clip	1	201200100011
25	Connecting rod of fresh air door	1	201122190213
26	Bracket of fresh air door	1	201121990295
27	Fresh air door	1	201121990296
28	Centrifugal fan	1	201100120010
29	Front cover	1	201222190132
31	Installation accessory	1	2028220A0018
31.1	Locking bar	2	201222190008
31.2	Right bracket	1	201221890083
31.3	Shutter	2	201122190009
31.4	Right shutter frame	1	201122190010
31.5	Connecting bar of cabinet	2	201122190202
31.6	Left shutter frame	1	201122190011
31.7	Left supporter	1	201221890082
31.8	Remote controller	1	203355091112
32	Electric heater	1	202403100021
33	Installation plate of Electric heater	1	201222190133
34	Drain valve	1	202301610703
35	Front volute shell(bottom)	1	202222190029
36	Bracket of fresh air	1	201121890102
37.14	Display rabel		2020221A0402
	Carton		2026221A0226

Due to ongoing product improvements, specifications and dimensions are subject to change and correction without notice or incurring obligations. Determining the application and suitability for use of any product is the responsibility of the installer. Additionally, the installer is responsible for verifying dimensional data on the actual product prior to beginning any installation preparations.

Incentive and rebate programs have precise requirements as to product performance and certification. All products meet applicable regulations in effect on date of manufacture; however, certifications are not necessarily granted for the life of a product. Therefore, it is the responsibility of the applicant to determine whether a specific model qualifies for these incentive/rebate programs.

HEAT CONTROLLER

1900 Wellworth Ave., Jackson MI 49203 • Ph. 517-787-2100 • www.heatcontroller.com

A  Company