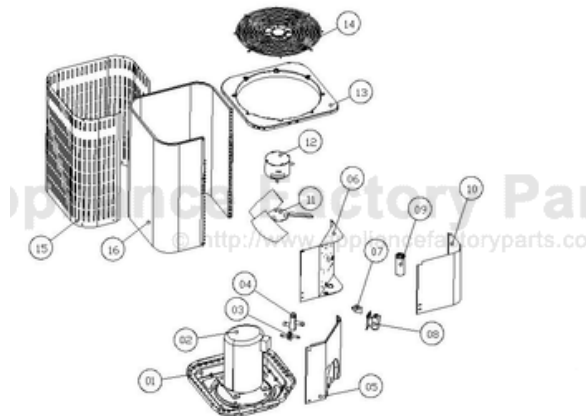


This Owner's Manual is provided and hosted by [Appliance Factory Parts](http://www.appliancefactoryparts.com).



# COMFORT-AIRE RSD1324-0A Owner's Manual

[Shop genuine replacement parts for COMFORT-AIRE  
RSD1324-0A](#)



[Find Your COMFORT-AIRE HVAC Parts - Select From 1486 Models](#)

----- Manual continues below -----

# **PARTS LIST**

## **REMOTE CONDENSING UNITS**

**RSD1318-0A**

**RSD1324-0A**

**RSD1330-0A**

**RSD1336-0A**

**RSD1342-0A**

**RSD1348-0A**

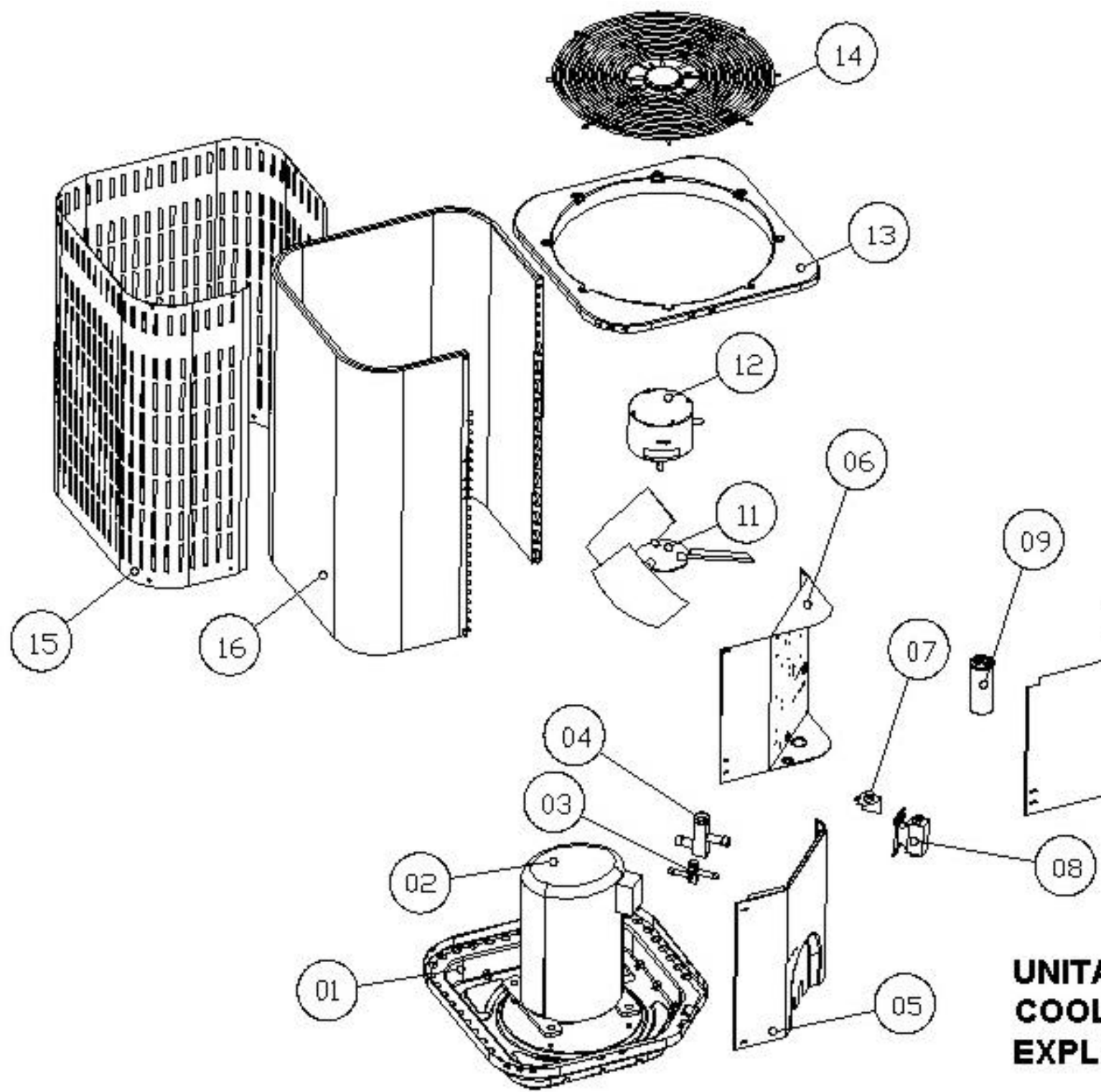
**HEAT CONTROLLER, INC.**

**1900 Wellworth Ave. Jackson, MI 49203**

**[www.heatcontroller.com](http://www.heatcontroller.com)**

**517-787-2100**

|                    |              |                                    | RSD1318-0A | RSD1324-0A | RSD1330-0A | RSD1336-0A | RSD1342-0A | RSD1348-0A | RSD1360-0A |
|--------------------|--------------|------------------------------------|------------|------------|------------|------------|------------|------------|------------|
| Nominal Capacity → |              |                                    | 1.5T       | 2T         | 2.5T       | 3T         | 3.5T       | 4T         | 5T         |
| Ref                | Part Number  | Description                        |            |            |            |            |            |            |            |
| 1                  | 373208670003 | Base pan B                         | 1          | 1          | 1          |            |            |            |            |
| 1                  | 373208670001 | Base pan C                         |            |            |            | 1          | 1          | 1          | 1          |
| 2                  | 50160326N001 | Compressor                         | 1          |            |            |            |            |            |            |
| 2                  | 50160322N001 | Compressor                         |            | 1          |            |            |            |            |            |
| 2                  | 50160323N001 | Compressor                         |            |            | 1          |            |            |            |            |
| 2                  | 50160324N001 | Compressor                         |            |            |            | 1          |            |            |            |
| 2                  | 50160325N001 | Compressor                         |            |            |            |            | 1          |            |            |
| 2                  | 50160331N001 | Compressor                         |            |            |            |            |            | 1          |            |
| 2                  | 50160267N001 | Compressor                         |            |            |            |            |            |            | 1          |
| 3                  | 550802       | Shut off valve, 3/8" OD            | 1          | 1          | 1          | 1          | 1          | 1          |            |
| 3                  | 194202660001 | Shut off valve, 1/2" OD            |            |            |            |            |            |            | 1          |
| 4                  | 550803       | Shut off valve, 3/4" OD            | 1          | 1          | 1          |            |            |            |            |
| 4                  | 550806       | Shut off valve, 7/8" OD            |            |            |            | 1          | 1          | 1          |            |
| 4                  | 881800720001 | Shut off valve, 1 1/8" OD          |            |            |            |            |            |            | 1          |
| 5                  | 194201170001 | Bottom panel                       | 1          | 1          |            |            |            |            |            |
| 5                  | 194201170003 | Bottom panel                       |            |            | 1          |            |            |            |            |
| 5                  | 194201840005 | Bottom panel                       |            |            |            | 1          | 1          | 1          |            |
| 5                  | 194201840008 | Bottom panel                       |            |            |            |            |            |            | 1          |
| 6                  | 654504       | Control panel B                    | 1          | 1          | 1          |            |            |            |            |
| 6                  | 654536       | Control panel C                    |            |            |            | 1          | 1          | 1          | 1          |
| 8                  | 453150       | Contactora                         | 1          | 1          | 1          |            |            |            |            |
| 8                  | 453770       | Contactora                         |            |            |            | 1          | 1          | 1          | 1          |
| 9                  | 450360       | Capacitor 25/7.5                   | 1          |            |            |            |            |            |            |
| 9                  | 160500710118 | Capacitor 35/7.5                   |            | 1          |            |            |            |            |            |
| 9                  | 160500710117 | Capacitor 30/7.5                   |            |            | 1          |            |            |            |            |
| 9                  | 450364       | Capacitor 40/7.5                   |            |            |            | 1          |            |            |            |
| 9                  | 160500710119 | Capacitor 45/7.5                   |            |            |            |            | 1          | 1          |            |
| 9                  | 450502       | Capacitor 80/7.5                   |            |            |            |            |            |            | 1          |
| 10                 | 654505       | Control cover B                    | 1          | 1          | 1          |            |            |            |            |
| 10                 | 654537       | Control cover C                    |            |            |            | 1          | 1          | 1          | 1          |
| 11                 | 259000       | Fan Blade                          | 1          | 1          | 1          |            |            |            |            |
| 11                 | 259003       | Fan Blade                          |            |            |            | 1          | 1          | 1          |            |
| 11                 | 194202670001 | Fan Blade                          |            |            |            |            |            |            | 1          |
| 12                 | 3590A0       | Motor                              | 1          | 1          |            |            |            |            |            |
| 12                 | 359001       | Motor                              |            |            | 1          |            |            |            |            |
| 12                 | 359004       | Motor                              |            |            |            | 1          | 1          | 1          |            |
| 12                 | 194290000006 | Motor                              |            |            |            |            |            |            | 1          |
| 13, 14             | 194202070001 | Top grill assembly                 | 1          | 1          | 1          |            |            |            |            |
| 13, 14             | 194202080001 | Top grill assembly                 |            |            |            | 1          | 1          | 1          |            |
| 13, 14             | 194202080002 | Top grill assembly                 |            |            |            |            |            |            | 1          |
| 15                 | 194200730003 | Coil jacket                        | 1          | 1          |            |            |            |            |            |
| 15                 | 194200740003 | Coil jacket                        |            |            | 1          |            |            |            |            |
| 15                 | 194200760003 | Coil jacket                        |            |            |            | 1          | 1          | 1          |            |
| 15                 | 194200770003 | Coil jacket                        |            |            |            |            |            |            | 1          |
| 16                 | 194200900002 | Condenser coil, 7mm, 18 FPI, 24" h | 1          | 1          |            |            |            |            |            |
| 16                 | 194201550001 | Condenser coil, 7mm, 18 FPI, 30" h |            |            | 1          |            |            |            |            |
| 16                 | 194201300001 | Condenser coil, 7mm, 18 FPI, 30" h |            |            |            | 1          |            |            |            |
| 16                 | 194201710001 | Condenser coil, 7mm, 18 FPI, 30" h |            |            |            |            | 1          | 1          |            |
| 16                 | 194201910001 | Condenser coil, 7mm, 18 FPI, 36" h |            |            |            |            |            |            | 1          |
|                    | 194200090001 | Grommet, compressor                | 4          | 4          | 4          | 4          | 4          | 4          | 4          |
|                    | 370106020011 | Filter drier                       | 1          | 1          | 1          |            |            |            |            |
|                    | 370106020012 | Filter drier                       |            |            |            | 1          | 1          | 1          | 1          |
|                    | 194202680001 | Motor bracket                      |            |            |            |            |            |            | 1          |
|                    | 160602360017 | Start assist                       | 1          |            | 1          |            |            |            |            |
|                    | 160602360020 | Start assist                       |            |            |            | 1          | 1          |            |            |
|                    | 160602360019 | Start assist                       |            |            |            |            |            | 1          |            |
|                    | 160602360018 | Start assist clip                  | 1          |            | 1          |            |            |            |            |
|                    | 160602360007 | Start assist clip                  |            |            |            | 1          | 1          | 1          |            |



UNITA  
COOL  
EXPL