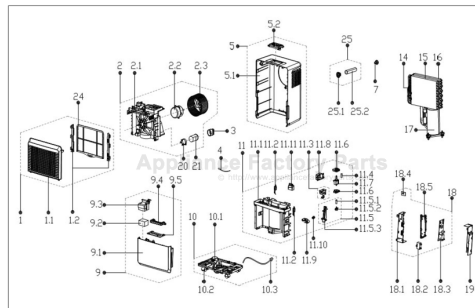


This Owner's Manual is provided and hosted by [Appliance Factory Parts](#).



# COMFORT-AIRE BHDP-701H Owner's Manual

[Shop genuine replacement parts for COMFORT-AIRE  
BHDP-701H](#)



[Find Your COMFORT-AIRE Dehumidifier Parts - Select From 129 Models](#)

----- Manual continues below -----



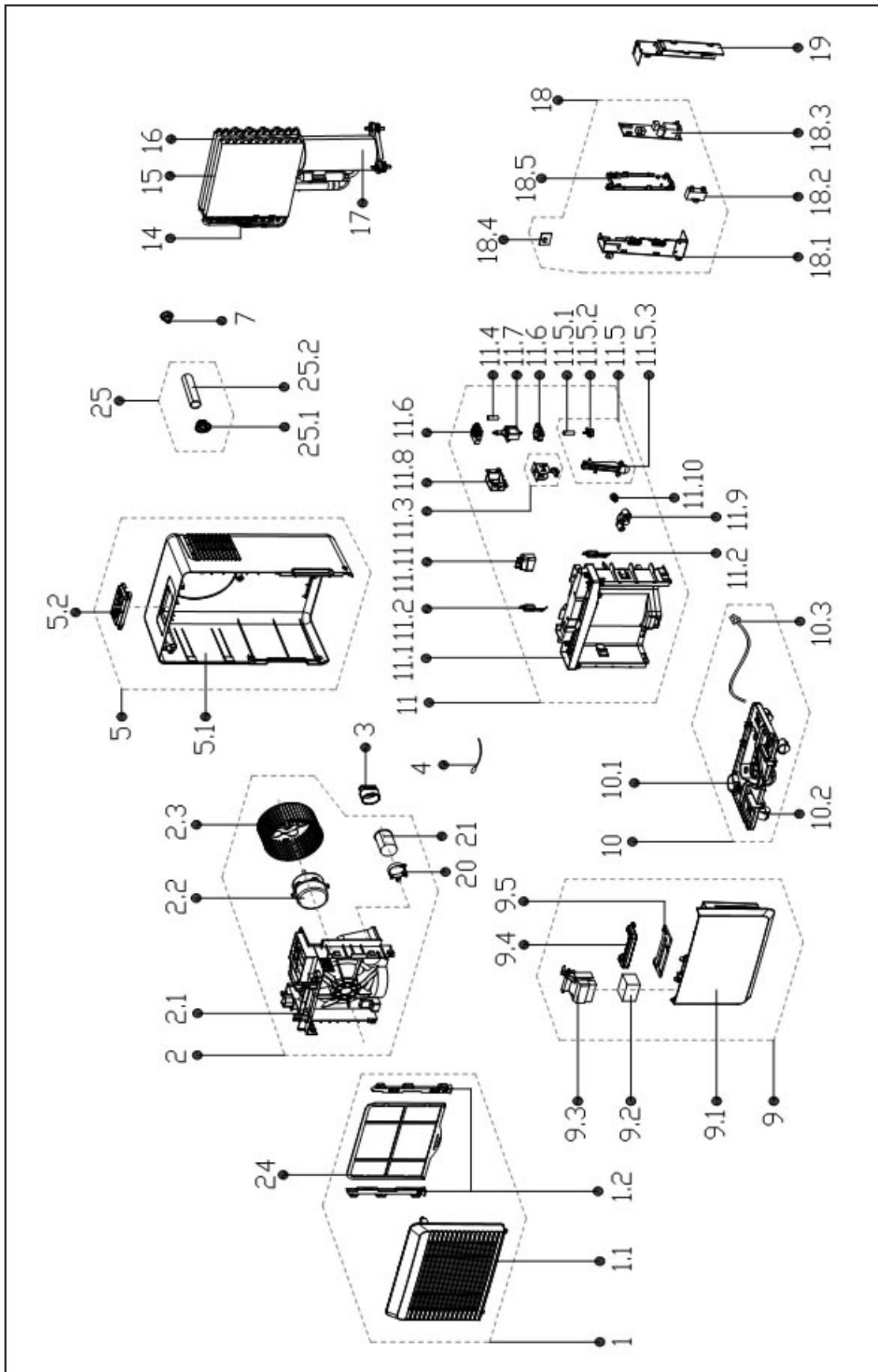
---

## PARTS LIST

# Portable Dehumidifier

BHDP-701H

# EXPLODED VIEW



## REPLACEMENT PARTS

Location	Part Name	Quantity	Part No.
1	Front panel assembly	1	12120100A00184
1.1	Front panel	1	12120100A00145
1.2	Filter guide	2	12120100000489
2	Volute shell assembly	1	12120100001209
2.1	Volute Shell	1	12120100001117
2.2	Asynchronous motor	1	11002012000658
2.3	Centrifugal fan	1	12100103000075
3	Capacitor box	1	12600901000017
4	Pipe temperature sensor assembly	1	11201007000245
5	Rear panel assembly	1	12120100000342
5.1	Rear panel	1	12120100000365
5.2	Display box assembly	1	17220100000075
7	Plug	1	12600801000037
9	Water tank assembly	1	12120100A00559
9.1	Water tank	1	12120100A00343
9.2	Dobber	1	12820100000004
9.3	Dobber	1	12120100000932
9.4	Handle of water tank	1	12120100000984
9.5	Water tank cover	1	12120100000942
10	Chassis assembly	1	12120100000111
10.1	Chassis	1	12120100001638
10.2	Universal wheel	4	12620100000015
10.3	Power cord	1	17401202000502
11	Partition board assembly	1	12120100001353
11.1	Separating board	1	12120100001317
11.2	Micro switch	1	17400512000009
11.2	Micro switch	1	17400512000013
11.3	Installation plate assembly	1	12120100000594
11.4	Rubber pipe of water pump	1	12620100000002
11.5	Rubber pipe assembly of water pump	1	12620100000004
11.5.1	Rubber pipe of water pump	1	12620100000005
11.5.2	Drain connector	1	12120600001257
11.5.3	Installation plate	1	12120100000592
11.6	Waterproof rubber	1	12600701000008
11.6	Waterproof rubber	1	12600701000010
11.7	Water pump	1	17400802000014
11.8	Installation box of water pump	1	12120100001442
11.9	Drain connector of water pump	1	12100510000010
11.10	Quick connecting pipe	1	12120100000001
11.11	Protect cover	1	12120100001404
14	Capillary assembly	1	15120100000513
15	Condenser assembly	1	15820100000177
16	Evaporator coil assembly	1	15820100000005
17	Compressor	1	11103010000188
18	Electronic control box assembly	1	17220100000058
18.1	Electronic control box	1	12220100000013
18.2	Capacitor of fan motor	1	17400101000071
18.3	Main control board assembly	1	17120100000243
18.4	Humidity sensor assembly	1	17120100000344
19	Cover of electronic control box	1	12220100000070
20	Capacitor clip	1	12200203000012
21	Capacitor of compressor	1	17400103000060
24	Air filter	1	12100204000324
25	Drain connector	1	12100510000015
25.1	Drain connector	1	12100510000020
25.2	Hose	1	12100509000055
25.3	Screws (not shown)	1	BHD-H-SCREWS
25.4	Plug (not shown)	1	202726590142

---

Due to ongoing product improvements, specifications and dimensions are subject to change and correction without notice or incurring obligations. Determining the application and suitability for use of any product is the responsibility of the installer. Additionally, the installer is responsible for verifying dimensional data on the actual product prior to beginning any installation preparations.

Incentive and rebate programs have precise requirements as to product performance and certification. All products meet applicable regulations in effect on date of manufacture; however, certifications are not necessarily granted for the life of a product. Therefore, it is the responsibility of the applicant to determine whether a specific model qualifies for these incentive/rebate programs.

*Comfort-Cire*<sup>®</sup>

1900 Wellworth Ave., Jackson MI 49203 • Ph. 517-787-2100 • [www.marsdelivers.com](http://www.marsdelivers.com)

