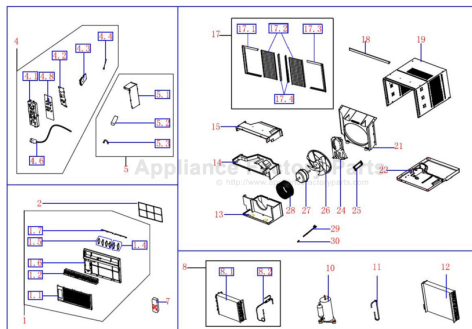


This Owner's Manual is provided and hosted by [Appliance Factory Parts](http://www.ApplianceFactoryParts.com).



COMFORT-AIRE CGRADS-101H Owner's Manual

[Shop genuine replacement parts for COMFORT-AIRE
CGRADS-101H](#)



[Find Your COMFORT-AIRE HVAC Parts - Select From 1486 Models](#)

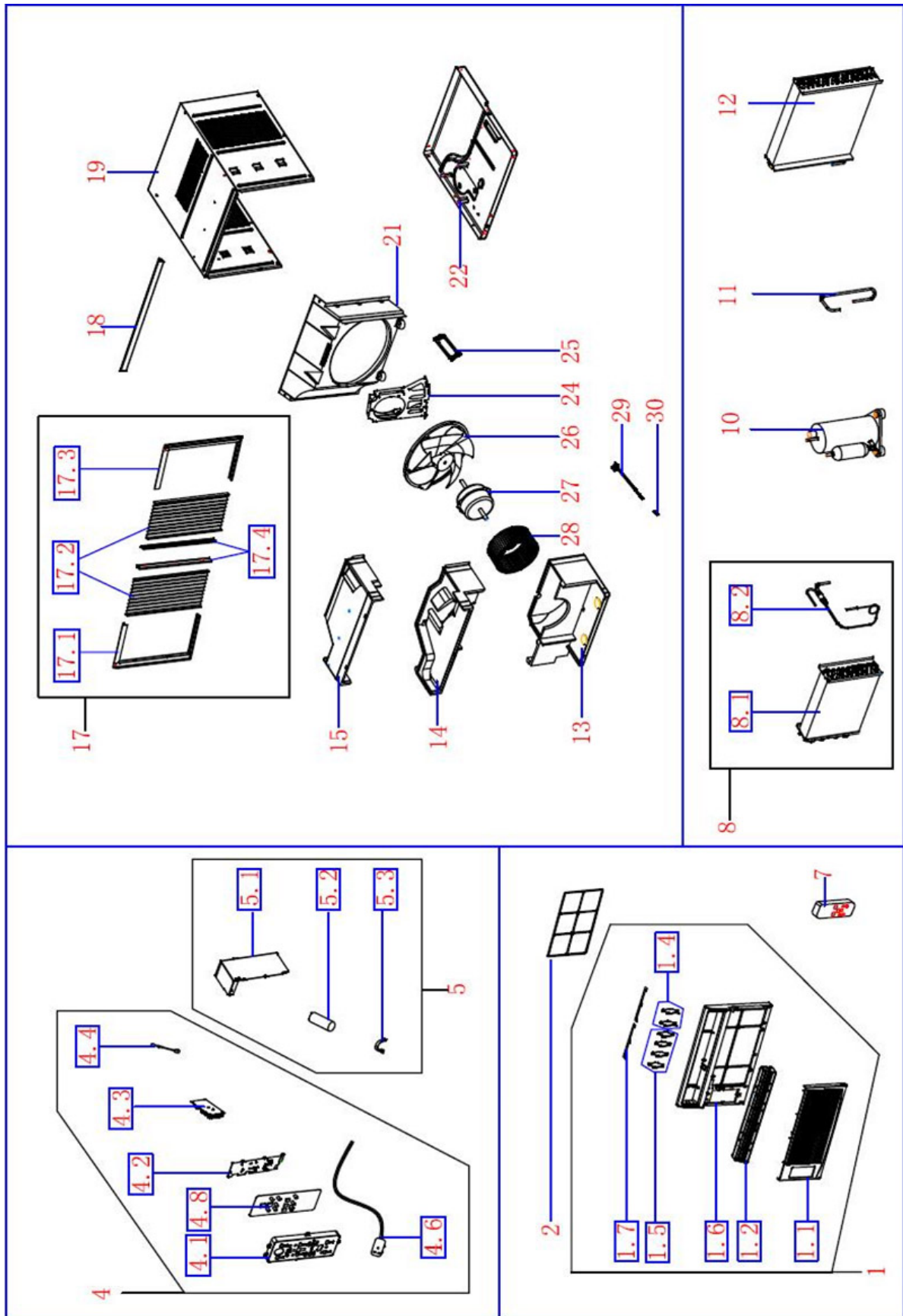
----- Manual continues below -----

HEAT CONTROLLER, INC.

REPLACEMENT PARTS LIST

Commercial Room Air Units CGRADS-101H

EXPLODED VIEW



REPLACEMENT PARTS

Location	Part Name	Quantity	Part No.
1	Panel assembly	1	2011217A0793
1.1	Front panel	1	2011217A0805
1.6	Panel frame	1	2011217A0804
2	Air filter	1	201121790054
4	Electronic control box assembly	1	2033215A0075
4.1	Control panel	1	2011217A0807
4.2	Cover of electronic control box	1	201221390027
4.3	Main control board assembly	1	201321590034
4.4	Ambient temperature sensor assembly	1	202433190000
4.6	Power cord	1	202402290003
5	Electronic control box assembly	1	203321590107
5.1	Cover of electronic control box	1	201221790282
5.2	Capacitor of compressor	1	202401400004
5.3	Capacitor clip	1	201200100002
7	Remote controller	1	2033550A6383
8	Evaporator coil assembly	1	201521590111
8.1	Evaporator	1	201521590098
8.2	Capillary assembly	1	201621590343
10	compressor	1	201400601100
11	Discharge pipe assembly	1	201621590200
12	Condenser assembly	1	201521790216
13	Volute shell (below)	1	202221790023
14	Mid volute shell	1	202221790022
15	Volute shell (above)	1	202220490006
17	Installation accessory	1	2028217A0021
17.1	Left shutter frame	1	201121790146
17.2	Shutter	2	201121790147
17.3	Right shutter frame	1	201121790148
17.4	Locking bar of shutter	2	201121790149
18	Top shutter frame	1	201221790193
19	Cabinet	1	2012217A0033
21	Rear separating	1	201121790333
22	Chassis assembly	1	2012217A0034
24	Supporter assembly of fan motor	1	201221790033
25	Connecting board	1	201221790153
26	Axial flow fan	1	201100300031
27	Asynchronous motor	1	202400401289
28	Centrifugal fan	1	201100100063
29	Fresh air door	1	201121790033
30	Bracket of fresh air door	1	201120490140
27	Asynchronous motor	1	202400401289
28	Centrifugal fan	1	201100100063
29	Fresh air door	1	201121790240
30	Bracket of fresh air door	1	201120490140

Design, material, performance data and components
subject to change without notice.

HEAT CONTROLLER, INC.

1900 Wellworth Ave., Jackson, MI 49203 • Ph. 517-787-2100 • Fax 517-787-9341

THE QUALITY LEADER IN CONDITIONING AIR

www.heatcontroller.com