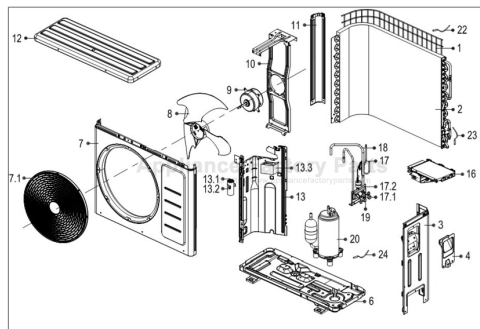


This Owner's Manual is provided and hosted by [Appliance Factory Parts](#).



COMFORT-AIRE A-DVC12SD-0 Owner's Manual

[Shop genuine replacement parts for COMFORT-AIRE
A-DVC12SD-0](#)



[Find Your COMFORT-AIRE HVAC Parts - Select From 1486 Models](#)

----- Manual continues below -----

HEAT CONTROLLER

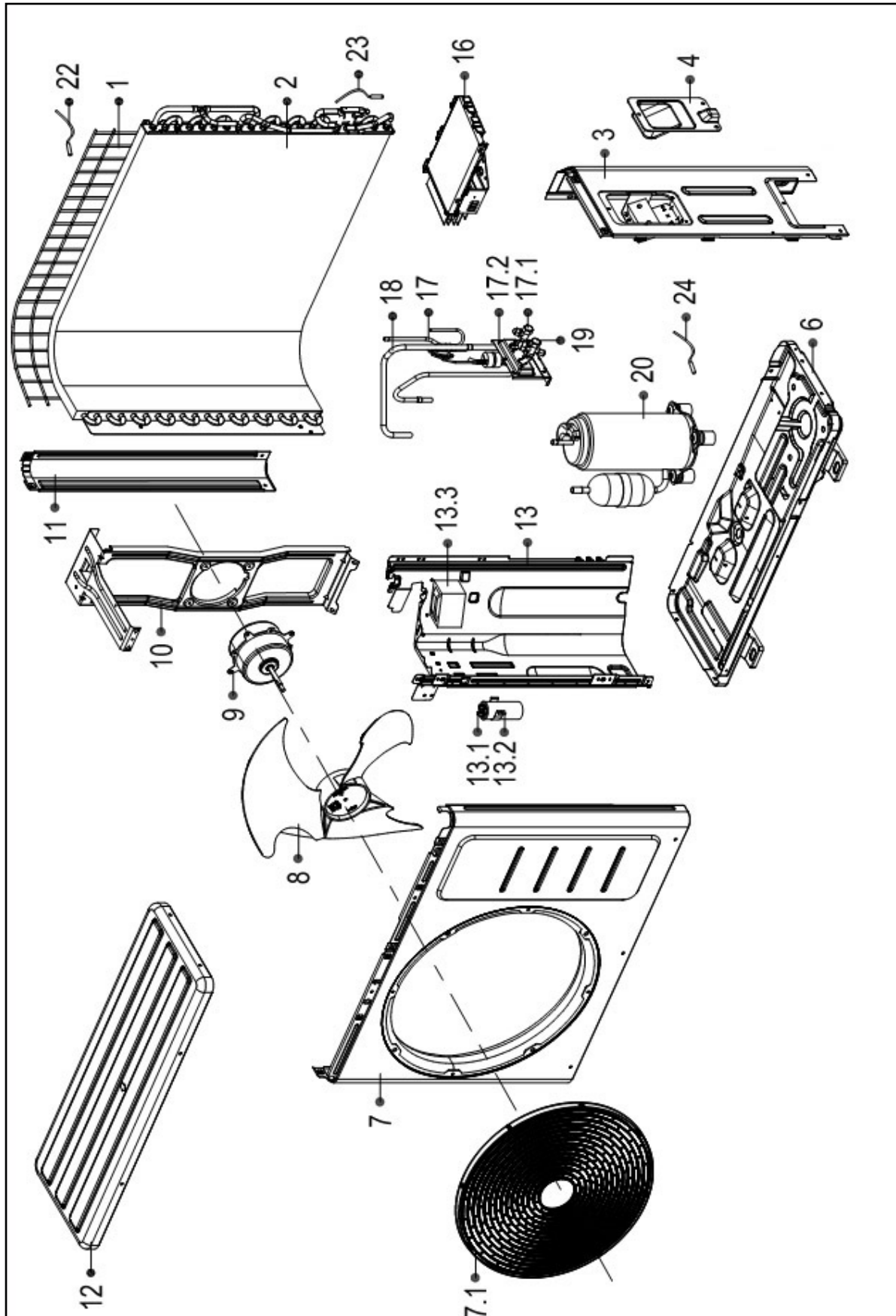
**REPLACEMENT
PARTS LIST**

Single Zone Inverter Mini-Splits

A-DVC12SD-0

Outdoor Condenser

EXPLODED VIEW



REPLACEMENT PARTS

Location	Part Name	Quantity	Part No.
1	Rear net	1	201137300179
2	Condenser assembly	1	201537591112
3	Right clapboard assembly	1	201237500257
4	Big handle	1	201237390104
6	Chassis assembly	1	201237500230
7	Front panel	1	201237500196
7.1	Air outlet grille	1	201137500010
8	Axial flow fan	1	201100300034
9	Asynchronous motor	1	202400400990
10	Supporter assembly of fan motor	1	201237500176
11	Left supporter	1	201237500180
12	Top cover assembly	1	201237500177
13	Partition board assembly	1	201237500258
13.1	Capacitor of compressor	1	202401090021
13.2	Capacitor clip	1	201200100026
13.3	Reactor	1	202301000860
16	Electronic control box assembly	1	2033373A0100
17	Liquid valve assembly	1	201637591330
17.1	Liquid valve	1	201600700076
17.2	Valve plate	1	2012373N0005
18	Suction pipe assembly	1	201637591328
19	Gas valve	1	201600720194
20	Compressor	1	201400601230
22	Ambient temperature sensor assembly	1	202301310075
23	Pipe temperature sensor assembly	1	202301300445
24	Discharge temperature sensor assembly	1	202301310068

Due to ongoing product improvements, specifications and dimensions are subject to change and correction without notice or incurring obligations. Determining the application and suitability for use of any product is the responsibility of the installer. Additionally, the installer is responsible for verifying dimensional data on the actual product prior to beginning any installation preparations.

Incentive and rebate programs have precise requirements as to product performance and certification. All products meet applicable regulations in effect on date of manufacture; however, certifications are not necessarily granted for the life of a product. Therefore, it is the responsibility of the applicant to determine whether a specific model qualifies for these incentive/rebate programs.

HEAT CONTROLLER

1900 Wellworth Ave., Jackson MI 49203 • Ph. 517-787-2100 • www.heatcontroller.com

A  Company