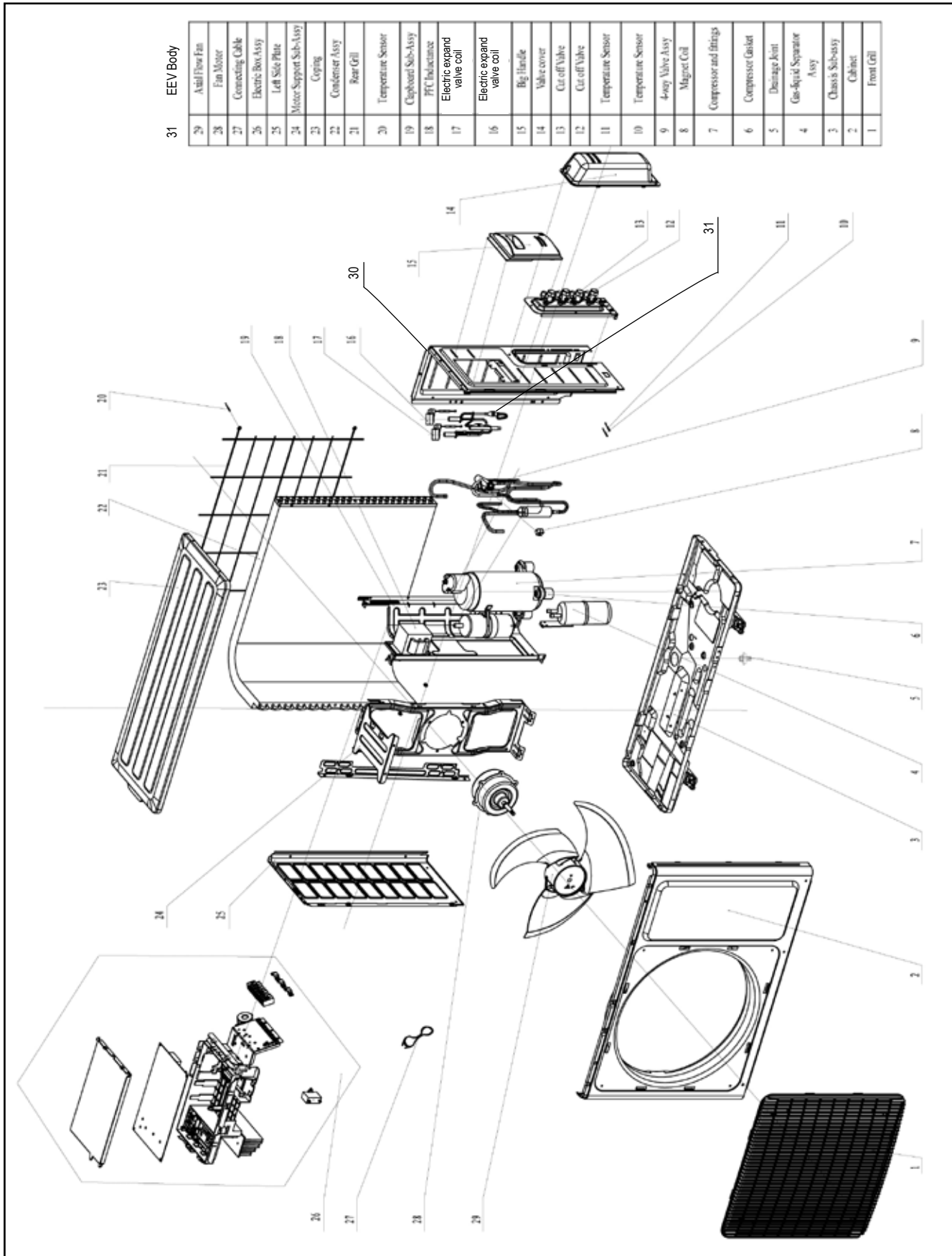


HEAT CONTROLLER

**REPLACEMENT  
PARTS LIST**

**InverterFlex Series®  
Outdoor Ductless Mini-Split  
A-VFH18DA-1  
Heat Pumps**

# EXPLODED VIEW



## REPLACEMENT PARTS

Location	Part Name	Quantity	Part No.
1	Front Grill	1	01473065
2	Cabinet	1	0143303402P
3	Chassis Sub-assy	1	01205168P
4	Gas-liquid Separator Assy	1	07225017
5	Drainage Joint	1	26113009
6	Compressor Gasket	3	76715021
7	Compressor and fittings	1	00205262
8	Magnet Coil	1	4300040045
9	4-Way Valve Assy	1	03073129
10	Temperature Sensor	1	3900007301
11	Temperature Sensor	1	39000073
12	Cut off Valve	1	071302391
13	Cut off Valve	1	07130239
15	Big Handle	1	02113038
16	Electric Expand Valve Fitting (coil)	1	4300008401
17	Electric Expand Valve Fitting (coil)	1	43000084
18	PFC Inductance	1	43120130
19	Clapboard Sub-Assy	1	01233185
20	Temperature Sensor	1	3900030901
21	Rear Grill	1	01473060
22	Condenser Assy	1	01163888_L08294
23	Coping	1	01253034P
24	Motor Support Sub-Assy	1	0170339802
25	Left Side Plate	1	01303169P
26	Electric Box Assy	1	02603707
28	Fan Motor	1	1501316201
29	Axial Flow Fan	1	10333016
30	Right Side Plate	1	0130319702P
31	EEV Assembly (expansion valve)		07133453

Due to ongoing product improvements, specifications and dimensions are subject to change and correction without notice or incurring obligations. Determining the application and suitability for use of any product is the responsibility of the installer. Additionally, the installer is responsible for verifying dimensional data on the actual product prior to beginning any installation preparations.

Incentive and rebate programs have precise requirements as to product performance and certification. All products meet applicable regulations in effect on date of manufacture; however, certifications are not necessarily granted for the life of a product. Therefore, it is the responsibility of the applicant to determine whether a specific model qualifies for these incentive/rebate programs.

# HEAT CONTROLLER

1900 Wellworth Ave., Jackson MI 49203 • Ph. 517-787-2100 • [www.heatcontroller.com](http://www.heatcontroller.com)

A  Company