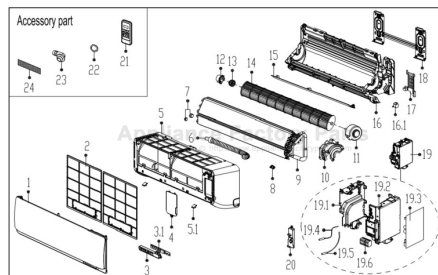


This Owner's Manual is provided and hosted by [Appliance Factory Parts](#).



COMFORT-AIRE B-VMH09SD-1 Owner's Manual

[Shop genuine replacement parts for COMFORT-AIRE
B-VMH09SD-1](#)



[Find Your COMFORT-AIRE HVAC Parts - Select From 1486 Models](#)

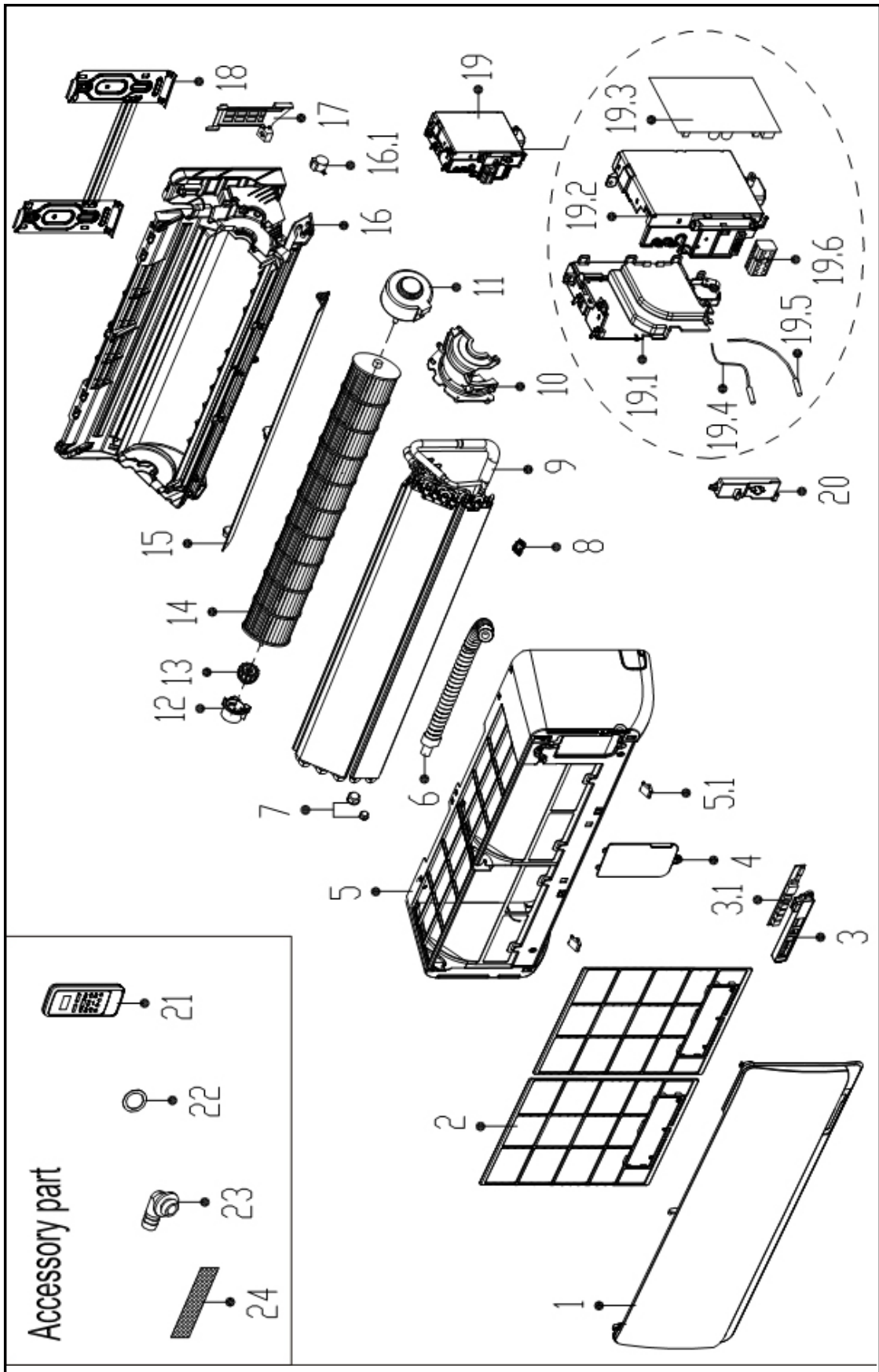
----- Manual continues below -----

HEAT CONTROLLER

**REPLACEMENT
PARTS LIST**

**Inverter Series
Indoor Ductless Mini-Split
B-VMH09SD-1
Heat Pumps**

EXPLODED VIEW



REPLACEMENT PARTS

Location	Part Name	Quantity	Part No.
1	Panel assembly	1	2011325A5070
2	Air filter	2	201132590962
3	Display box assembly	1	2033325A2058
3.1	Display board assembly	1	201332391249
4	Cover of electrical equipment	1	201119901024
5	Panel frame assembly	1	201132591059
5.1	Screw cap	2	201119900950
6	Drain hose	1	201101020038
7	Pipe nut	1	201600330002
7	Pipe nut	1	201600330001
8	Fix clamp of temperature sensor	1	201102000305
9	Evaporator assembly	1	2015325A0211
10	Fan motor cover	1	201132490127
11	Brushless DC Motor	1	202400370022
12	Bearing holder	1	201119900952
13	Bearing base	1	202719900606
14	Cross flow fan	1	201100200054
15	Horizontal louver	1	201132590956
16	Chassis assembly	1	2011325A5278
16.1	Louver motor	1	202400200031
17	Pipe clamp board	1	201119900949
18	Installation plate	1	2012325A0010
19	Electronic control box assembly	1	203332391073
19.1	Electronic control box I	1	201132490125
19.2	Electronic control box II	1	201132490139
19.3	Indoor main control board assembly	1	201332391485
19.4	Ambient temperature sensor assembly	1	202432390005
19.5	Pipe temperature sensor assembly	1	202301300584
19.6	Wire joint	1	202301450119
20	Cover of electronic control box	1	201132490126
21	Remote Controller	1	2033550A8685
22	Seal ring	1	202720090001
23	Drain joint	1	201101020011
24	Air freshening filter	1	201130410455
	Carton		2026323A4388

Due to ongoing product improvements, specifications and dimensions are subject to change and correction without notice or incurring obligations. Determining the application and suitability for use of any product is the responsibility of the installer. Additionally, the installer is responsible for verifying dimensional data on the actual product prior to beginning any installation preparations.

Incentive and rebate programs have precise requirements as to product performance and certification. All products meet applicable regulations in effect on date of manufacture; however, certifications are not necessarily granted for the life of a product. Therefore, it is the responsibility of the applicant to determine whether a specific model qualifies for these incentive/rebate programs.

HEAT CONTROLLER

1900 Wellworth Ave., Jackson MI 49203 • Ph. 517-787-2100 • www.heatcontroller.com

A  Company