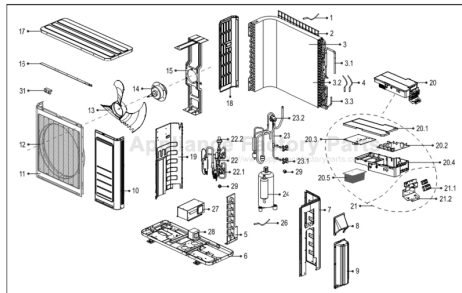


This Owner's Manual is provided and hosted by [Appliance Factory Parts](#).



COMFORT-AIRE A-VMH18DD-1 Owner's Manual

[Shop genuine replacement parts for COMFORT-AIRE
A-VMH18DD-1](#)



[Find Your COMFORT-AIRE HVAC Parts - Select From 1486 Models](#)

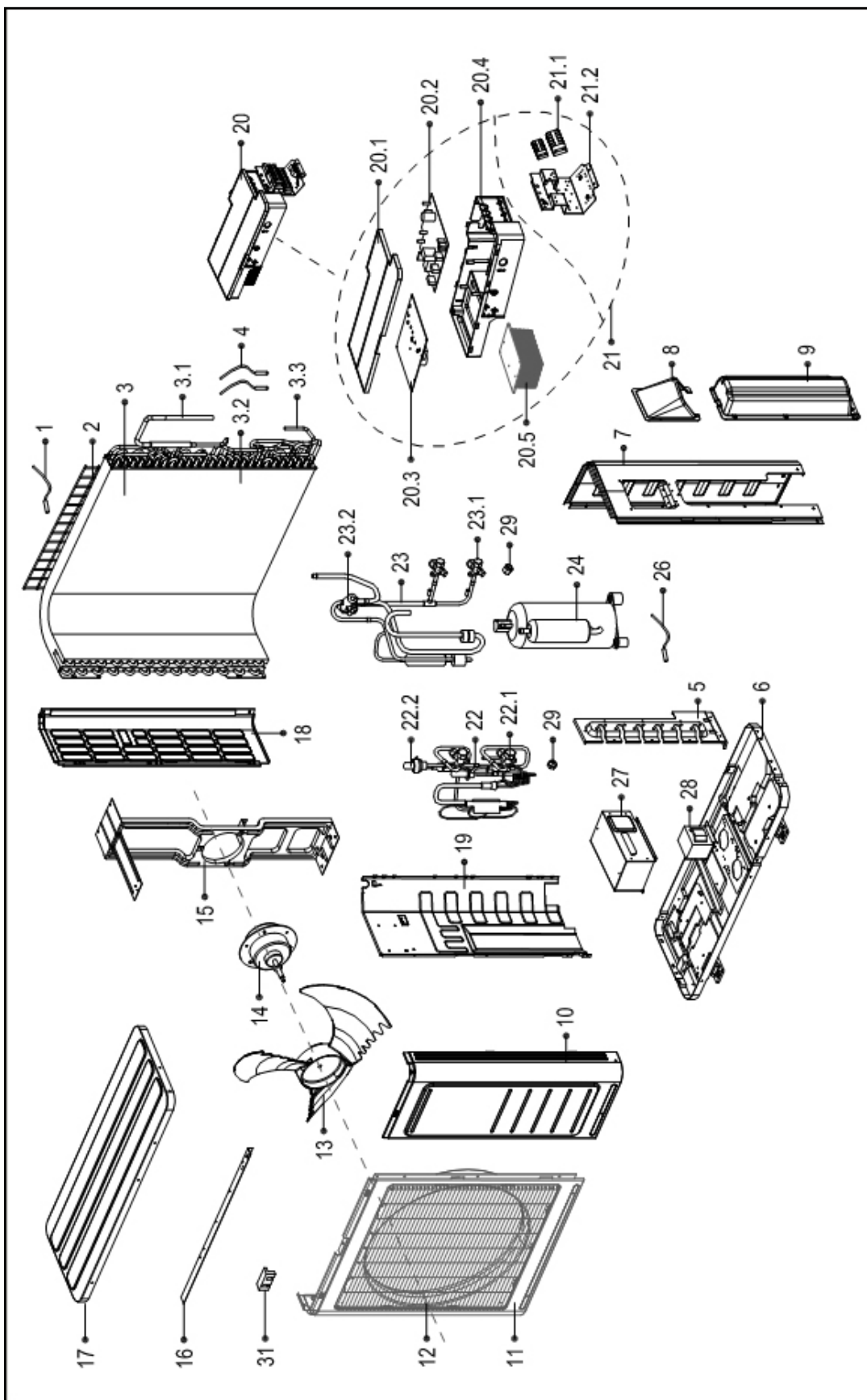
----- Manual continues below -----

HEAT CONTROLLER

**REPLACEMENT
PARTS LIST**

**Inverter Series
Outdoor Ductless Mini-Split
A-VMH18DD-1
Heat Pumps**

EXPLODED VIEW



REPLACEMENT PARTS

Location	Part Name	Quantity	Part No.
1	Ambient temperature sensor assembly	1	202301310075
2	Rear net	1	201248100375
3	Condenser assembly	1	201537990084
3.1	Input pipe assembly	1	201637991011
3.2	Condenser	1	201537990003
3.3	Output pipe	1	201637991010
4	Pipe temperature sensor assembly	1	202301300423
4	Pipe temperature sensor assembly	1	202440500004
5	Valve plate	1	201257190109
6	Chassis assembly	1	2012570A0006
7	Rear right clapboard assembly	1	201257190094
8	Big handle	1	201257190112
9	Water collector	1	201157190013
10	Front right clapboard assembly	1	201248100389
11	Front panel	1	201248100356
12	Air outlet grille	1	201237890112
13	Axial flow fan	1	201100300553
14	Brushless DC Motor	1	202400300535
15	Supporter assembly of fan motor	1	201257090067
16	Rear supporter	1	201248100384
17	Top cover assembly	1	201257190097
18	Left supporter	1	201248100364
19	Partition board assembly	1	201257190118
20	Electronic control box assembly	1	203357090067
20.1	Cover of electronic control box	1	201157190011
20.2	Outdoor main control board assembly	1	201357090064
20.3	Inverter control board assembly	1	201338090092
20.4	Installation plate of electric parts	1	201157190010
20.5	Radiator	1	202301901173
21	Terminal board assembly	1	203357090064
21.1	Wire joint	1	202301450157
21.2	Terminal board	1	201257190117
22	Liquid valve assembly	1	201657090500
22.1	Liquid valve	2	201600740097
22.2	Electronic expansion valve assembly	2	201601300658
23	4-way valve assembly	1	2016570A0025
23.1	Gas valve	2	201600720091
23.2	4-way valve	1	201600690011
24	Compressor	1	201400600530
26	Discharge temperature sensor assembly	1	202448200000
27	Cover of inductance	1	201248090001
28	Reactor	1	202301000943
29	Copper nut	2	201600320000
31	Clamp of front net	8	201135110801

Due to ongoing product improvements, specifications and dimensions are subject to change and correction without notice or incurring obligations. Determining the application and suitability for use of any product is the responsibility of the installer. Additionally, the installer is responsible for verifying dimensional data on the actual product prior to beginning any installation preparations.

Incentive and rebate programs have precise requirements as to product performance and certification. All products meet applicable regulations in effect on date of manufacture; however, certifications are not necessarily granted for the life of a product. Therefore, it is the responsibility of the applicant to determine whether a specific model qualifies for these incentive/rebate programs.

HEAT CONTROLLER

1900 Wellworth Ave., Jackson MI 49203 • Ph. 517-787-2100 • www.heatcontroller.com

A  Company