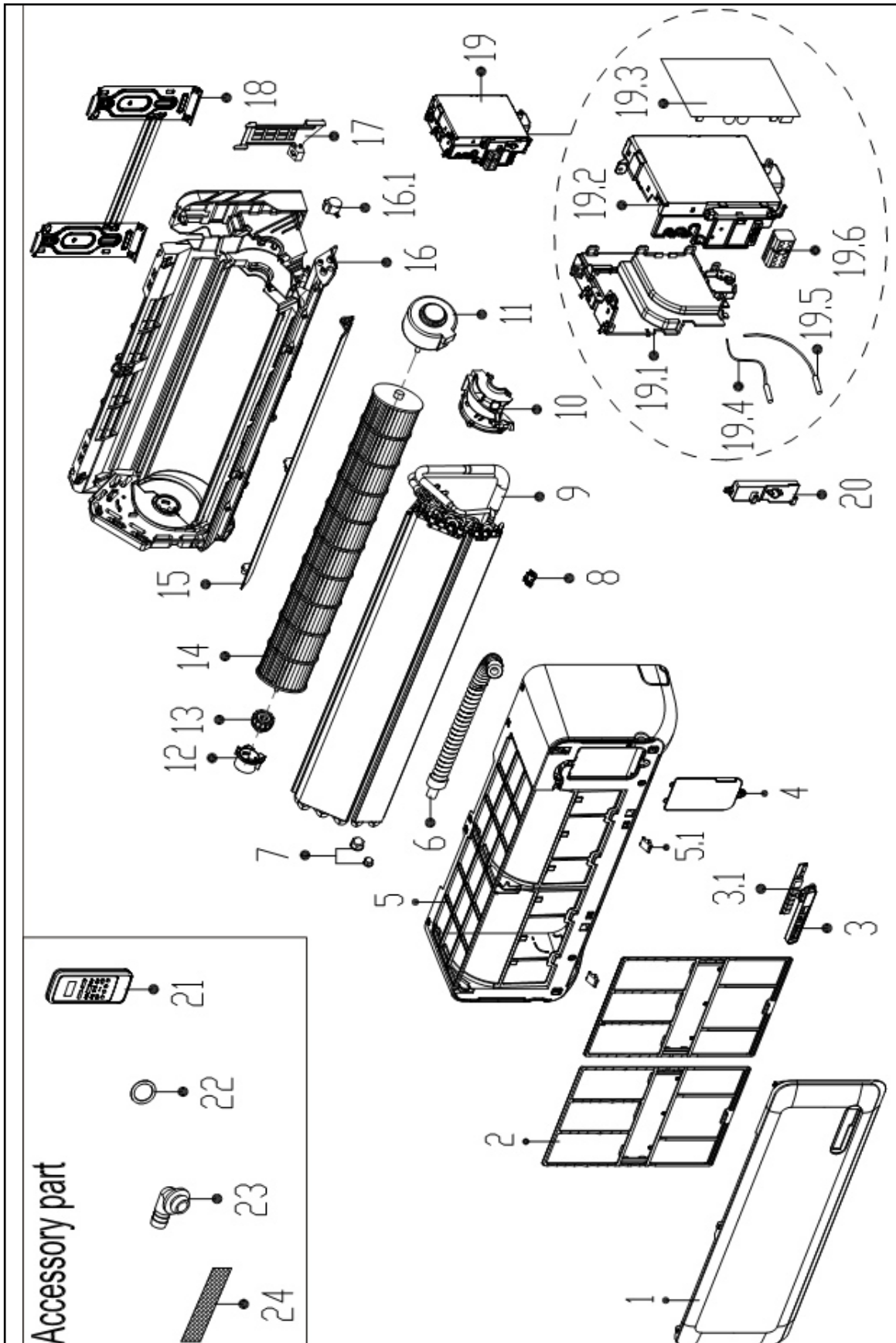


HEAT CONTROLLER

**REPLACEMENT
PARTS LIST**

Single Zone Inverter Mini-Splits
B-DVH12SD-0
Indoor Condenser

EXPLODED VIEW



REPLACEMENT PARTS

| Location | Part Name | Quantity | Part No. |
|----------|--|----------|--------------|
| 1 | Panel assembly | 1 | 2011324A0647 |
| 2 | Air filter | 2 | 201132490130 |
| 3 | Display box assembly | 1 | 203332591053 |
| 3.1 | Display board assembly | 1 | 201332391356 |
| 4 | Cover of indoor electronic control box | 1 | 201119900948 |
| 5 | Panel frame assembly | 1 | 201132490134 |
| 5.1 | Screw cap | 2 | 201119900950 |
| 6 | Drain hose | 1 | 201101020038 |
| 8 | Fix clamp of temperature sensor | 1 | 201102000305 |
| 9 | Evaporator assembly | 1 | 2015324A0071 |
| 10 | Fan motor cover | 1 | 201132490127 |
| 11 | Asynchronous motor | 1 | 202400300417 |
| 12 | Bearing holder | 1 | 201119900952 |
| 13 | Bearing base | 1 | 202719900606 |
| 14 | Cross flow fan | 1 | 201100200051 |
| 15 | Horizontal louver | 1 | 201132490131 |
| 16 | Chassis assembly with drain pan | 1 | 2011324A0232 |
| 16.1 | Louver motor | 1 | 202400200031 |
| 17 | Pipe clamp board | 1 | 201119900949 |
| 18 | Installation plate | 1 | 201232490004 |
| 19 | Electronic control box assembly | 1 | 2033325A2111 |
| 19.1 | Electronic control box I | 1 | 201132490125 |
| 19.2 | Electronic control box II | 1 | 201132490139 |
| 19.3 | Main control board assembly | 1 | 2013325A1084 |
| 19.4 | Ambient temperature sensor assembly | 1 | 202433190000 |
| 19.5 | Pipe temperature sensor assembly | 1 | 202301300584 |
| 19.6 | Terminal strip | 1 | 202301400488 |
| 20 | Cover of electronic control box | 1 | 201132490126 |
| 21 | Remote Controller | 1 | 2033550A8685 |
| 22 | Seal | 1 | 202720090001 |
| 23 | Drain joint | 1 | 201101020011 |
| 24 | Air freshening filter | 1 | 201130410455 |

Due to ongoing product improvements, specifications and dimensions are subject to change and correction without notice or incurring obligations. Determining the application and suitability for use of any product is the responsibility of the installer. Additionally, the installer is responsible for verifying dimensional data on the actual product prior to beginning any installation preparations.

Incentive and rebate programs have precise requirements as to product performance and certification. All products meet applicable regulations in effect on date of manufacture; however, certifications are not necessarily granted for the life of a product. Therefore, it is the responsibility of the applicant to determine whether a specific model qualifies for these incentive/rebate programs.

HEAT CONTROLLER

1900 Wellworth Ave., Jackson MI 49203 • Ph. 517-787-2100 • www.heatcontroller.com

A  Company