
Comfort-Aire®

 **Century**®

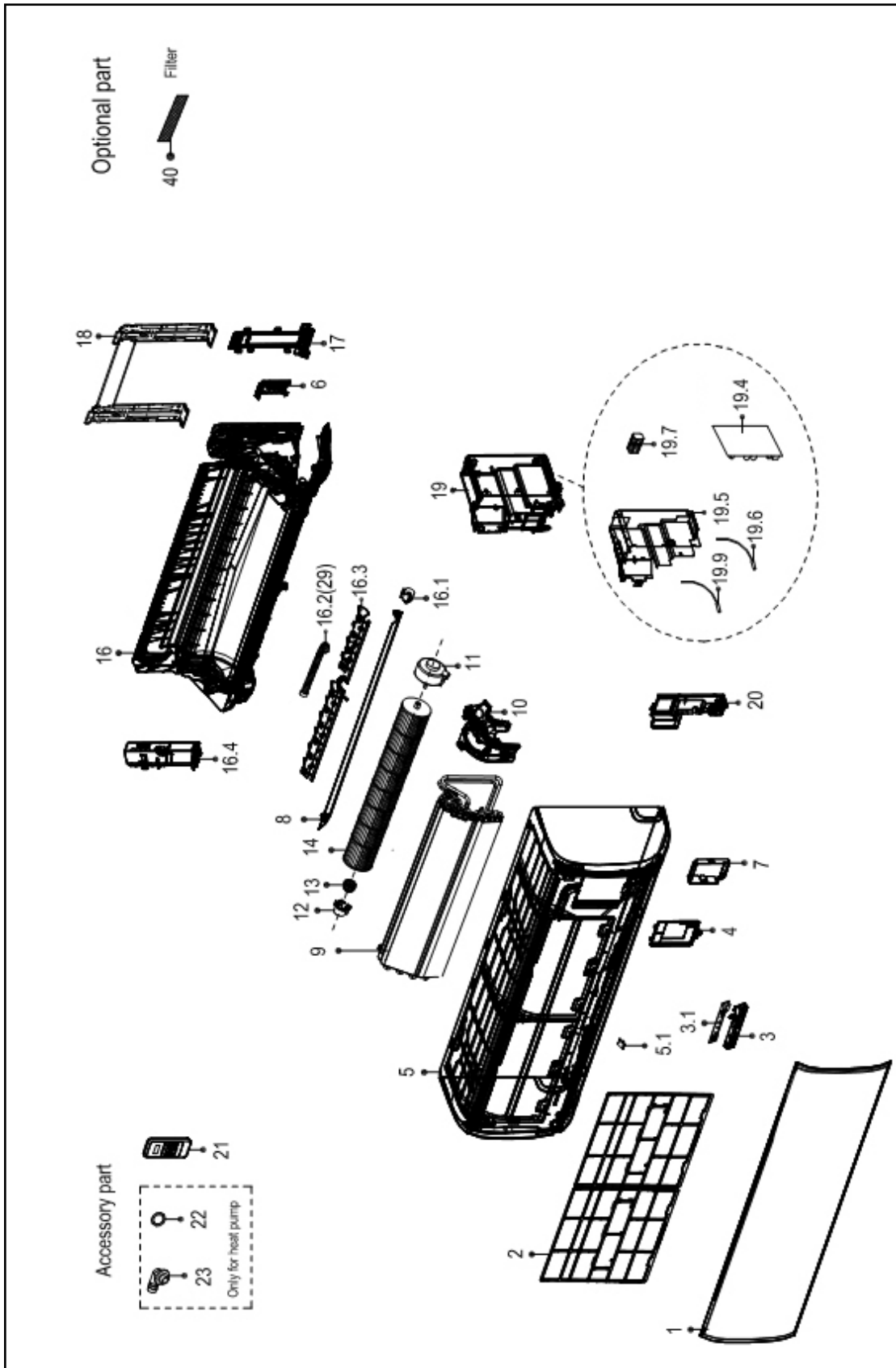
MARS®
Delivering Confidence

REPLACEMENT PARTS LIST

Single Zone Ductless Mini-Split with Inverter Technology

B-SVH09SA-0

EXPLODED VIEW



REPLACEMENT PARTS

| Location | Part Name | Quantity | Part No. |
|----------|---|----------|----------------|
| 1 | Panel assembly | 1 | 12122000A55311 |
| 2 | Air filter | 2 | 12122000015223 |
| 3 | Display box subassembly | 1 | 17222000A27228 |
| 3.1 | Display board subassembly | 1 | 17122000022008 |
| 4 | Cover of electrical equipment | 1 | 12122000013131 |
| 5 | Panel frame assembly | 1 | 12122000013137 |
| 5.1 | Screw cap | 2 | 12122000013139 |
| 6 | Front cover of chassis | 1 | 12122000013140 |
| 7 | Cover of electrical equipment subassembly | 1 | 12122000013141 |
| 8 | Horizontal louver assembly | 1 | 12122000013127 |
| 9 | Evaporator assembly | 1 | 15822000004936 |
| 10 | Fan motor cover | 1 | 12122000013129 |
| 11 | Single phase asynchronous motor | 1 | 11002012005527 |
| 12 | Bearing holder | 1 | 12122000000350 |
| 13 | Bearing base | 1 | 12622000000006 |
| 14 | Cross flow fan | 1 | 12100102000156 |
| 16 | Chassis assembly | 1 | 12122000014664 |
| 16.1 | Stepper motor | 1 | 11002010000143 |
| 16.3 | Horizontal louver | 1 | 12122000013761 |
| 16.4 | Front cover of chassis | 1 | 12122000013123 |
| 17 | Pipe clamp board | 1 | 12122000013136 |
| 18 | Installation plate | 1 | 12222000A03012 |
| 19 | Electronic control box subassembly | 1 | 17222000013768 |
| 19.4 | Main control board subassembly | 1 | 17122000024702 |
| 19.5 | Electronic control box subassembly | 1 | 12122000013001 |
| 19.6 | Pipe temperature sensor | 1 | 11201007000322 |
| 19.7 | Wire joint | 1 | 17400401000006 |
| 19.9 | Room temperature sensor | 1 | 11201007000088 |
| 20 | Cover of electronic control box subassembly | 1 | 12122000013132 |
| 21 | Remote controller | 1 | 17317000A19587 |
| 22 | Seal ring | 1 | 12600701000039 |
| 23 | Drain fitting | 1 | 12100509000061 |
| 40 | Air fresh filter | 1 | 12100207000131 |

Due to ongoing product improvements, specifications and dimensions are subject to change and correction without notice or incurring obligations. Determining the application and suitability for use of any product is the responsibility of the installer. Additionally, the installer is responsible for verifying dimensional data on the actual product prior to beginning any installation preparations.

Incentive and rebate programs have precise requirements as to product performance and certification. All products meet applicable regulations in effect on date of manufacture; however, certifications are not necessarily granted for the life of a product. Therefore, it is the responsibility of the applicant to determine whether a specific model qualifies for these incentive/rebate programs.

Comfort-Cire®  **Century**

1900 Wellworth Ave., Jackson, MI 49203 • Ph. 517-787-2100 • www.marsdelivers.com

