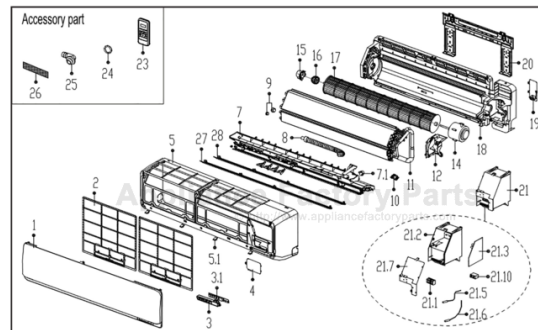


This Owner's Manual is provided and hosted by [Appliance Factory Parts](#).



COMFORT-AIRE B-VMH24SD-1 Owner's Manual

[Shop genuine replacement parts for COMFORT-AIRE
B-VMH24SD-1](#)



1

[Find Your COMFORT-AIRE HVAC Parts - Select From 1486 Models](#)

----- Manual continues below -----

Comfort-Aire®

Century®

PARTS LIST

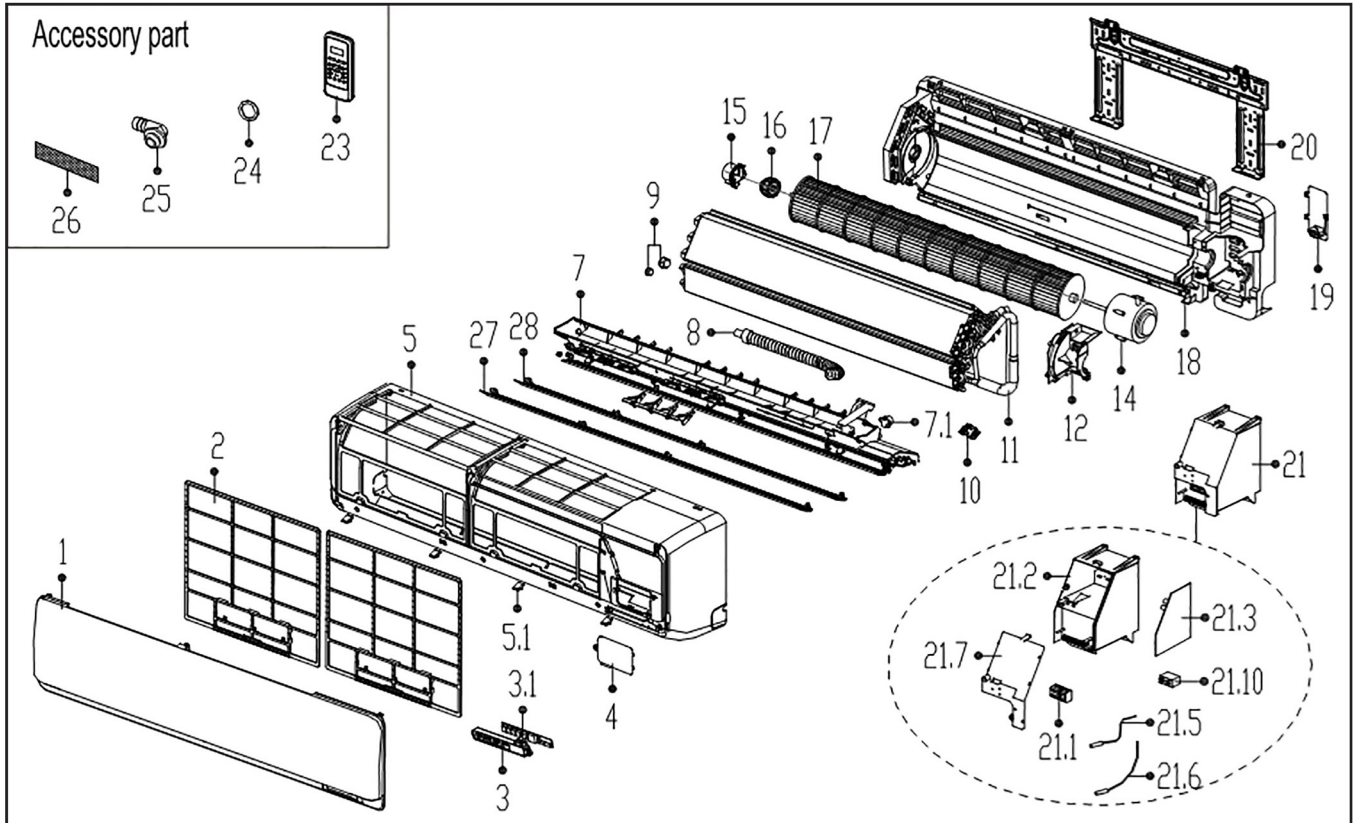
**Inverter Single Zone
Indoor Ductless Mini-Split**

B-VMH24SD-1

MARS®

517.787.2100 • www.marsdelivers.com

EXPLODED VIEW



REPLACEMENT PARTS

Location	Part Name	Quantity	Part No.
1	Panel assembly	1	2011330A5130
2	Air filter	2	201133090992
3	Display box assembly	1	2033325A2058
3.1	Display board assembly	1	201332391249
4	Cover of electrical equipment	1	201119901024
5	Panel frame assembly	1	201133090996
5.1	Screw cap	4	201119900950
7	Air outlet assembly	1	2011330A3347
7.1	Louver motor	1	202400200070
8	Drain hose	1	201101020038
9	Pipe nut	1	201600330004
9	Pipe nut	1	201600330002
10	Fix clamp of temperature sensor	1	201102000305
11	Evaporator assembly	1	2015330A0242
12	Fan motor cover	1	201133090991
14	Asynchronous motor	1	202400401301
15	Bearing holder	1	201119900952
16	Bearing base	1	202719900606
17	Cross flow fan	1	201100200057
18	Chassis assembly	1	201133090995
19	Pipe clamp board	1	201133090989
20	Installation plate	1	201233090026
21	Electronic control box assembly	1	203333090523
21.1	Wire joint	1	202301450119
21.2	Electronic control box	1	201133190200
21.3	Indoor main control board assembly	1	201333090769
21.5	Ambient temperature sensor assembly	1	202301300210
21.6	Pipe temperature sensor assembly	1	202301300426
21.7	Cover of electronic control box	1	201133190184
21.8	Power module assembly	1	201333090408
21.10	Fan motor capacitor	1	202401100354
23	Remote Controller	1	2033550A8685
24	Seal ring	1	202720090001
25	Drain joint	1	201101020011
26	Air freshening filter	1	201130410455
27	Horizontal louver (above)	1	201133090993
28	Horizontal louver (below)	1	201133090999
	Carton		2026330A2276
Not shown	Transformer	1	17122000008083

Due to ongoing product improvements, specifications and dimensions are subject to change and correction without notice or incurring obligations. Determining the application and suitability for use of any product is the responsibility of the installer. Additionally, the installer is responsible for verifying dimensional data on the actual product prior to beginning any installation preparations.

Incentive and rebate programs have precise requirements as to product performance and certification. All products meet applicable regulations in effect on date of manufacture; however, certifications are not necessarily granted for the life of a product. Therefore, it is the responsibility of the applicant to determine whether a specific model qualifies for these incentive/rebate programs.

Comfort-Aire®  **Century**®

1900 Wellworth Ave., Jackson, MI 49203 • Ph. 517-787-2100 • www.marsdelivers.com

