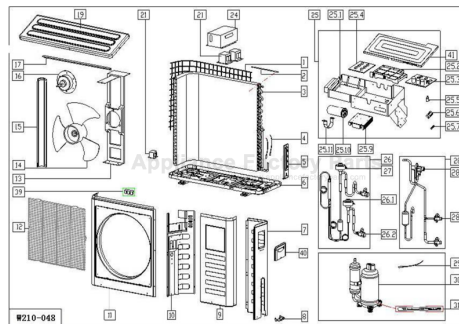


This Owner's Manual is provided and hosted by [Appliance Factory Parts](#).



COMFORT-AIRE A-VMH18DC-1 Owner's Manual

[Shop genuine replacement parts for COMFORT-AIRE
A-VMH18DC-1](#)



[Find Your COMFORT-AIRE HVAC Parts - Select From 1486 Models](#)

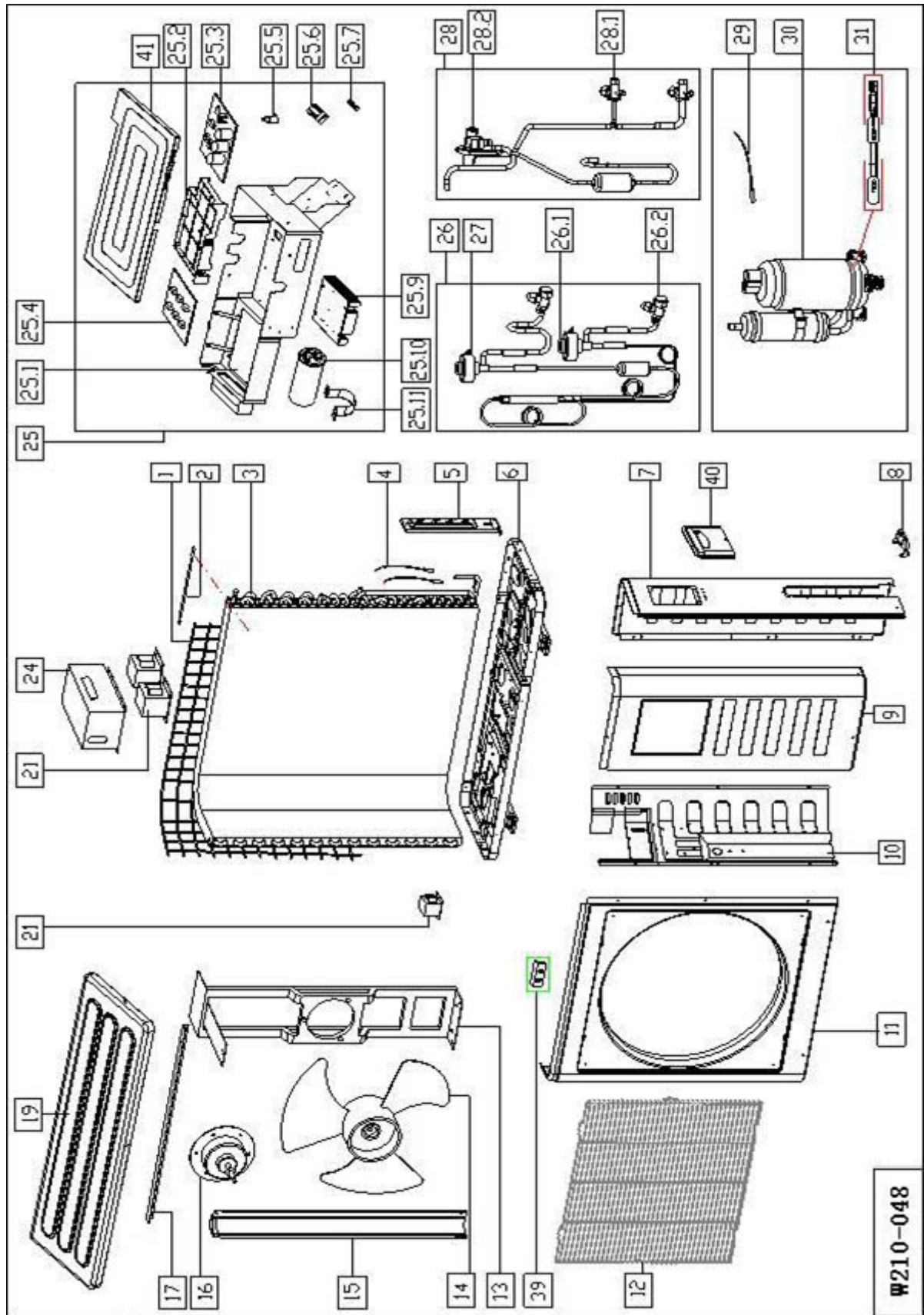
----- Manual continues below -----

HEAT CONTROLLER, INC.

REPLACEMENT PARTS LIST

Inverter Flex Multizone Heat Pump Ductless Mini-Splits A-VMH18DC-1 Outdoor

EXPLODED VIEW



REPLACEMENT PARTS

Location	Part Name	Quantity	Part No.
1	Rear net	1	2011481G0001
2	Indoor temperature sensor assembly	1	202301300196
3	Condenser assembly	1	201557090037
4	Pipe temperature sensor assembly	1	202440500004
4	Pipe temperature sensor assembly	1	202301300423
5	Valve plate	1	201257190109
6	Chassis assembly	1	201257090054
7	Rear right clapboard assembly	1	201257190094
8	Water collector	1	201137300183
9	Front right clapboard assembly	1	201248100350
10	Partition board assembly	1	201257190026
11	Front panel	1	201248100359
12	Air outlet grille	1	201237890119
13	Supporter assembly of fan motor	1	2012481G0039
14	Axial flow fan	1	201145500002
15	Left supporter	1	201248100367
16	Asynchronous motor	1	202400400955
17	Rear net frame	1	201248100076
19	Top cover assembly	1	201257190097
21	Reactance	1	202301000910
21	Reactance	1	202301050025
21	Reactance	1	202301040055
24	Cover of inductance	1	201248090001
25	Electronic control box assembly	1	2033570A0008
25.1	E-Parts box	1	201257190050
25.2	Installation plate of PCB	1	201157390005
25.3	Main control board assembly	1	201357090035
25.4	Inverter control board assembly	1	201357190062
25.5	Fan motor capacitor	1	202401100353
25.6	Wire joint	2	202301450156
25.7	Insulation plate	1	201157390004
25.9	Radiator	1	202301990007
25.10	Capacitor of compressor	1	202401000508
25.11	Capacitor clip	1	201200100026
26	Liquid valve assembly	1	201657090307
26.1	Electronic Expansion Valve	1	201601300658
26.2	Liquid valve	2	201600740097
27	Electronic Expansion Valve	1	201601300658
28	4-way valve assembly	1	201657090312
28.1	Gas valve	2	201600720091
28.2	4-Ways valve	1	201600690011
29	Discharge temperature sensor assembly	1	202448200000
30	Compressor	1	201400600540
31	Crankcase electric heater	1	202403100500
39	Clamp of front net	8	201135110801
40	Big Handle	1	201257190112
41	Cover of electronic control box	1	201257090037
Not Shown	Bridge rectifier	1	202300500328

Design, material, performance data and components
subject to change without notice.

HEAT CONTROLLER, INC.

1900 Wellworth Ave., Jackson, MI 49203 • Ph. 517-787-2100 • Fax 517-787-9341

THE QUALITY LEADER IN CONDITIONING AIR

www.heatcontroller.com