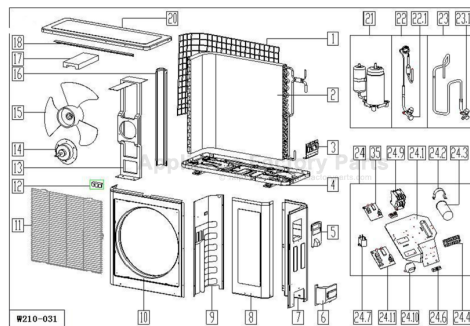


This Owner's Manual is provided and hosted by [Appliance Factory Parts](#).



COMFORT-AIRE A-SMA18SC Owner's Manual

[Shop genuine replacement parts for COMFORT-AIRE
A-SMA18SC](#)



[Find Your COMFORT-AIRE HVAC Parts - Select From 1486 Models](#)

----- Manual continues below -----

HEAT CONTROLLER

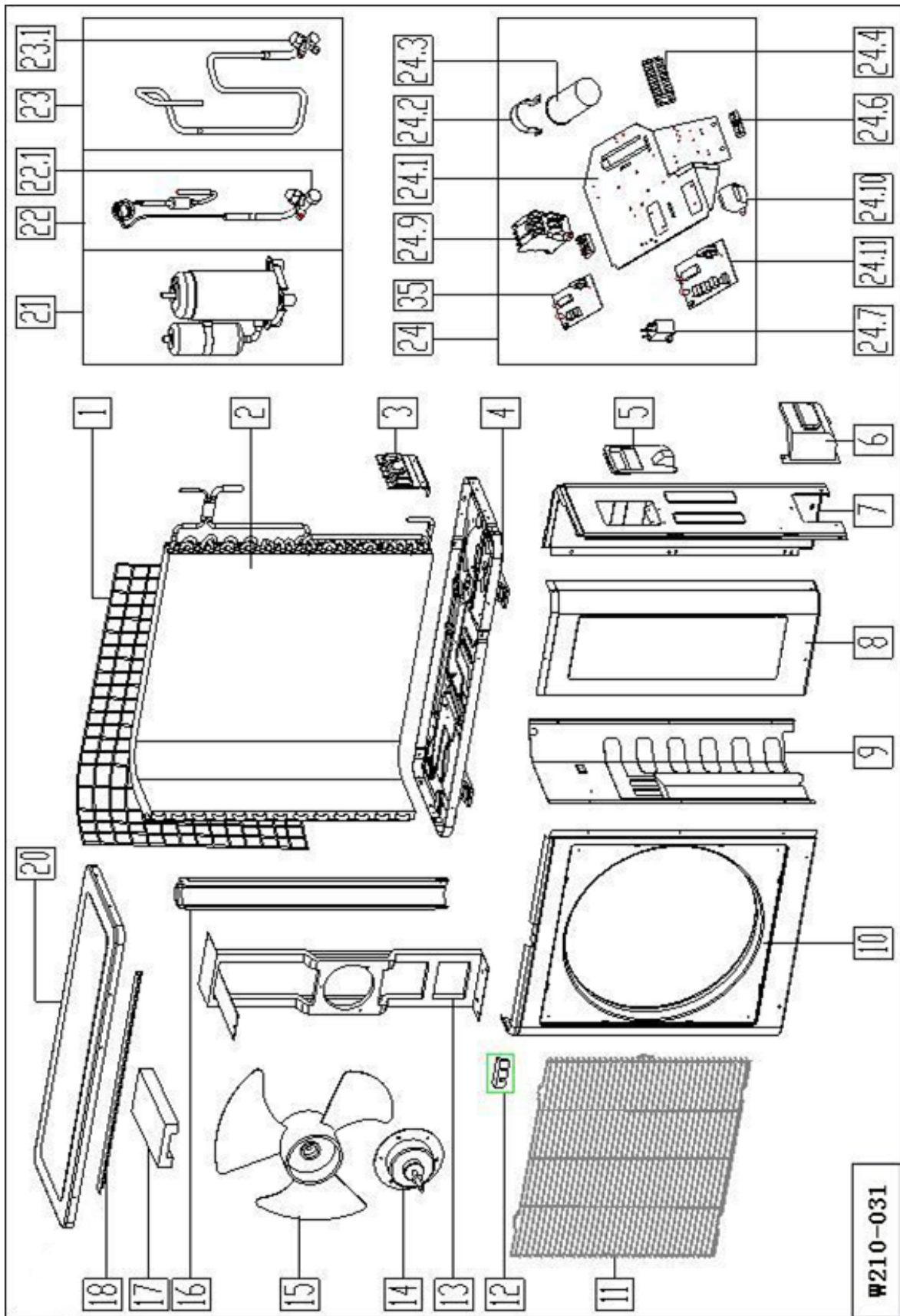
**REPLACEMENT
PARTS LIST**

Single Zone Ductless Mini-Splits

A-SMA18SC

Outdoor Condenser

EXPLODED VIEW



REPLACEMENT PARTS

Location	Part Name	Quantity	Part No.
1	Rear net	1	2011481G0001
2	Condenser assembly	1	201535390008
3	Valve plate	1	201237300285
4	Chassis assembly	1	201248100371
5	Big handle	1	201237390104
6	Water collector	1	201137390017
7	Rear right clapboard assembly	1	201237890100
8	Front right clapboard assembly	1	201248100354
9	Partition board assembly	1	2012380A0004
10	Front panel	1	201248100359
11	Air outlet grille	1	201237890119
12	Clamp of front net	8	201135110801
13	Supporter assembly of fan motor	1	2012481G0038
14	Asynchronous motor	1	202400410731
15	Axial flow fan	1	201145500002
16	Left supporter	1	201248100367
17	Fan motor fixing foam	1	202245500001
18	Rear net frame	1	201248100076
20	Top cover assembly	1	201248100363
21	Compressor	1	201400630370
22	liquid valve assembly	1	201637891152
22.1	Liquid valve	1	201600700078
23	suction pipe assembly	1	201637890059
23.1	Gas valve	1	201600720686
24	Electronic control box assembly	1	2033378A0085
24.1	Installation plate of electric parts	1	201238090069
24.2	Capacitor clip	1	201200100057
24.3	Capacitor of compressor	1	202401090056
24.4	Terminal strip	1	202301400063
24.4	Terminal strip	1	202301450122
24.6	Insulation plate	1	201135000004
24.7	Fan motor capacitor	1	202401100353
24.9	AC contactor	1	202300850046
24.10	Transformer	1	202300900179
24.11	Main control board assembly	1	201337990051
35	Low ambient kit	1	203319900480

Due to ongoing product improvements, specifications and dimensions are subject to change and correction without notice or incurring obligations. Determining the application and suitability for use of any product is the responsibility of the installer. Additionally, the installer is responsible for verifying dimensional data on the actual product prior to beginning any installation preparations.

Incentive and rebate programs have precise requirements as to product performance and certification. All products meet applicable regulations in effect on date of manufacture; however, certifications are not necessarily granted for the life of a product. Therefore, it is the responsibility of the applicant to determine whether a specific model qualifies for these incentive/rebate programs.

HEAT CONTROLLER

1900 Wellworth Ave., Jackson MI 49203 • Ph. 517-787-2100 • www.heatcontroller.com

A  Company