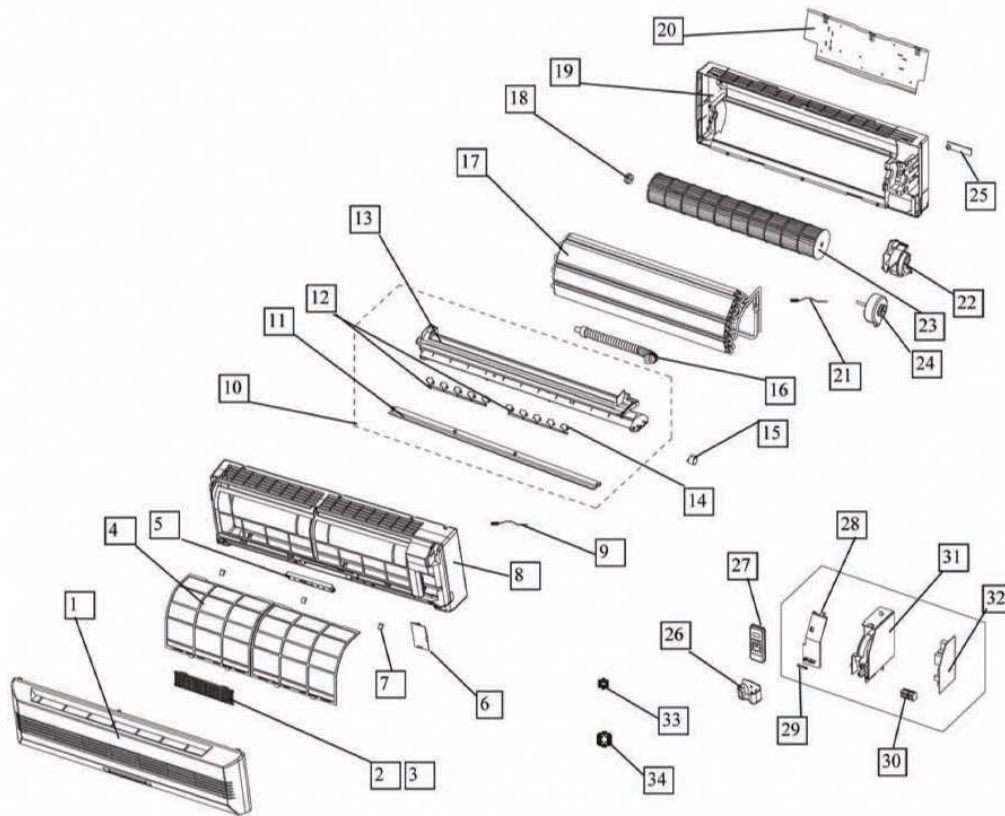


HEAT CONTROLLER, INC.

**REPLACEMENT
PARTS**

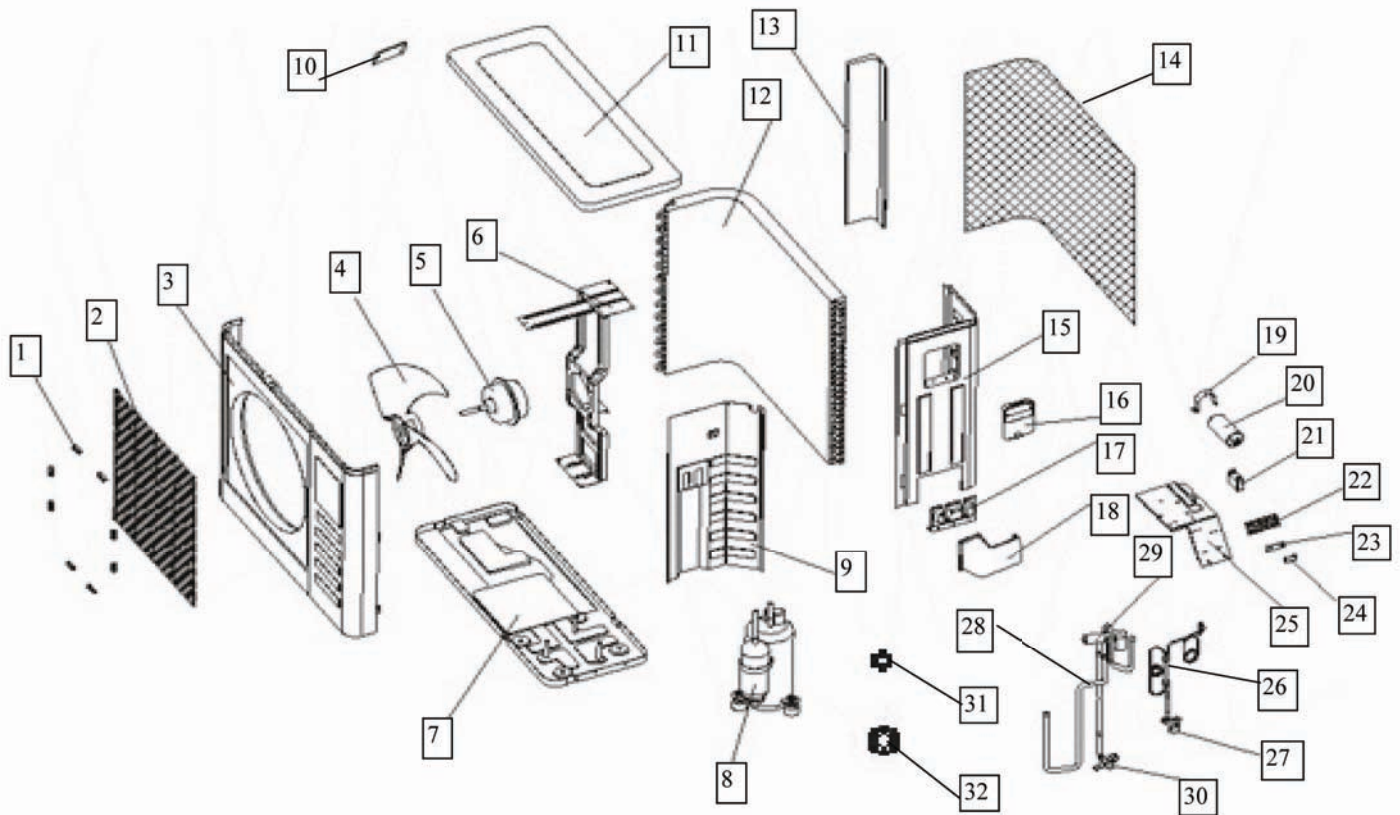
**“S” Series Mini-Split
Version B**

SMH09SB-0



No.	Part Name	Quantity	Sale code	BOM Code
1	Panel Ass'y	1	13412111001	201130490119
2	Air cleaner	1	10109121226	201130100212
3	Air cleaner holder	1	10109121225	201130100217
4	Air filter assy	2	13412111002	201130490113
5	Indicator board, Ass'y	1	13407111005	203330190093
6	Window cover for repairing	1	10112113003	201130490186
7	Screw cap	3	13412111004	201130490115
8	Panel frame	1	10312121580	201132590058
9	Indoor temp sensor	1	10312122433	202432390005
10	Air out frame assy	1	13412111006	201130490117
11	Horizontal louver	1	13412111007	201130490139
12	Connection bar	1	13412111008	201130410358
13	Air out frame	1	13412111009	201130490138
14	Vertical louver	10	13412111010	201130490140
15	Louver motor	1	10121121218	202400200006
16	Drain hose	1	31607111010	201130000011
17	Evaporator Ass'y	1	10924121008	201532390013
18	Bearing seat	1	10309121220	202730100201
19	Chassis	1	13412111012	201130490118
20	Installation plate	1	11605113012	201230390002
21	Evaporator temp sensor	1	11612121059	202432390004
22	Cover for motor	1	13412111013	201130490106
23	Cross flow fan	1	13412111014	201100200100
24	Fan motor	1	10609111002	202400300008
25	Pipe Pressing Board	1	10309121225	201130100204
26	Holder, Remote Controller	1	10718121009	201131390022
27	Remote Controller (FAHRENHEIT)	1	10312122441	203355090263
28	E-part box cover	1	11612111052	201130490184
29	Wire Clamp	1	10309121235	201130100209
30	Wire joint, 5p	1	10609111006	202301450105
31	E-Parts box	1	11612111060	201130490108
32	Main control board (including Program chip)	1	10312122440	201332390104
		1	10312121790	201300740129
33	Copper nut, TLM-B02	1	10909121013	201600320001
34	Copper nut, TLM-A01	1	10909121012	201600320000

No.	Part Name	Quantity	Part Number	BOM Code
27	Remote Controller (CELSIUS)	1	10109121207	203355090007



No.	Part Name	Quantity	Sale code	BOM code
1	Clamp for front net	6	10112121801	201135110801
2	Front Net Cover Ass'y	1	10118111018	201235290030
3	Front clapboard	1	13012111801	201235250264
4	Propeller fan	1	10112121803	201100300502
5	Fan motor	1	12109114801	202400490020
6	Holder for fan motor	1	20409111802	201235250223
7	Chassis	1	11212111001	201235290074
8	Compressor	1	10312121246	201400630340
9	Separating board	1	10309121004	201235250761
10	Small Handle	1	10830121811	201150290006
11	Cover	1	13012111805	201235250265
12	Condenser	1	10321121035	201537390004
13	Installation board, left	1	13012111803	201235250267
14	Rear net	1	13518111035	201135220361
15	Right clapboard	1	10318111008	201235290218
16	Big handle	1	10309121003	201235290217
17	Installation plate for valves	1	10118113805	201235000018
18	Water collector	1	10118121832	201135290005
19	Capacitor clamp	1	10109121822	201200100005
20	Compressor capacitor	1	10318111009	202401000751
21	Fan motor capacitor	1	11442122024	202401190010
22	Wire joint	1	10309121005	202301450106
23	Washer for wire joint	1	10112121817	201135000004
24	Clamp for wiring	1	10112121816	201219900001
25	Installation board for E-parts	1	10312121236	201235290216
26	High Pressure Valve Ass'y	1	10312121792	201637390140
27	Liquid pipe valve	1	50118121802	201600740522
28	Four-way Valve Ass'y	1	10312121543	201637390084
29	4-ways valve	1	10321121038	201600690008
30	Low-pressure Valve	1	10409121806	201600720018
31	Copper nut, TLM-A01	1	10909121012	201600320000
32	Copper nut, TLM-B02	1	10909121013	201600320001
33	Main control board ass'y	1	10321121039	201337390001
34	Outdoor pipe temp sensor	1	12909121803	202440500006
35	Electric control assy	1	10321121040	203337390006

**Design, materials, performance data and components
subject to change without notice.**

HEAT CONTROLLER, INC.

1900 Wellworth Ave Jackson, Michigan 49203 • Ph. 517-787-2100 • Fax 517-787-9341

THE QUALITY LEADER IN CONDITIONING AIR

www.heatcontroller.com