

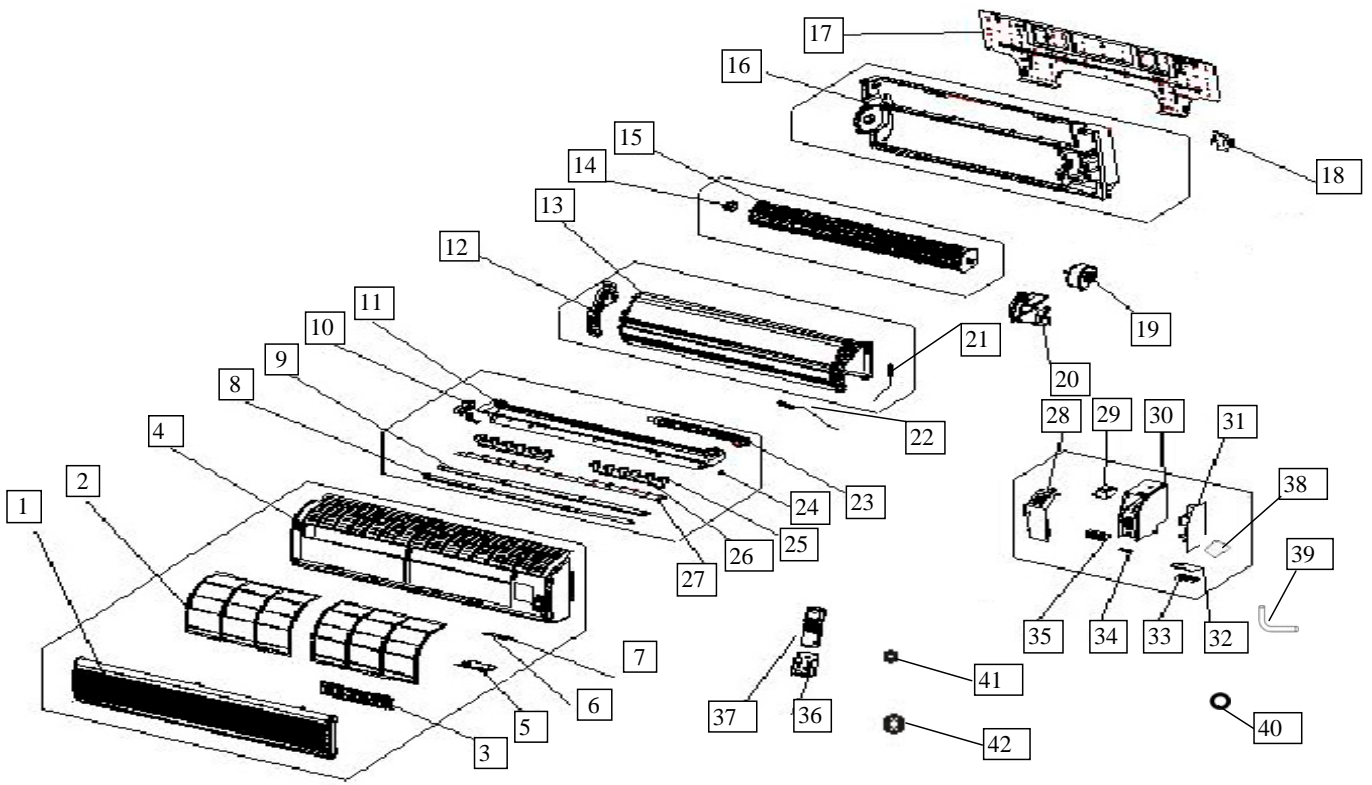
HEAT CONTROLLER, INC.

REPLACEMENT
PARTS

SMH12SA-0

**Mini-Split Air Conditioner
Heat Pump**

Exploded View Parts for Model SMH12SA-0 115V 60Hz : Indoor Unit

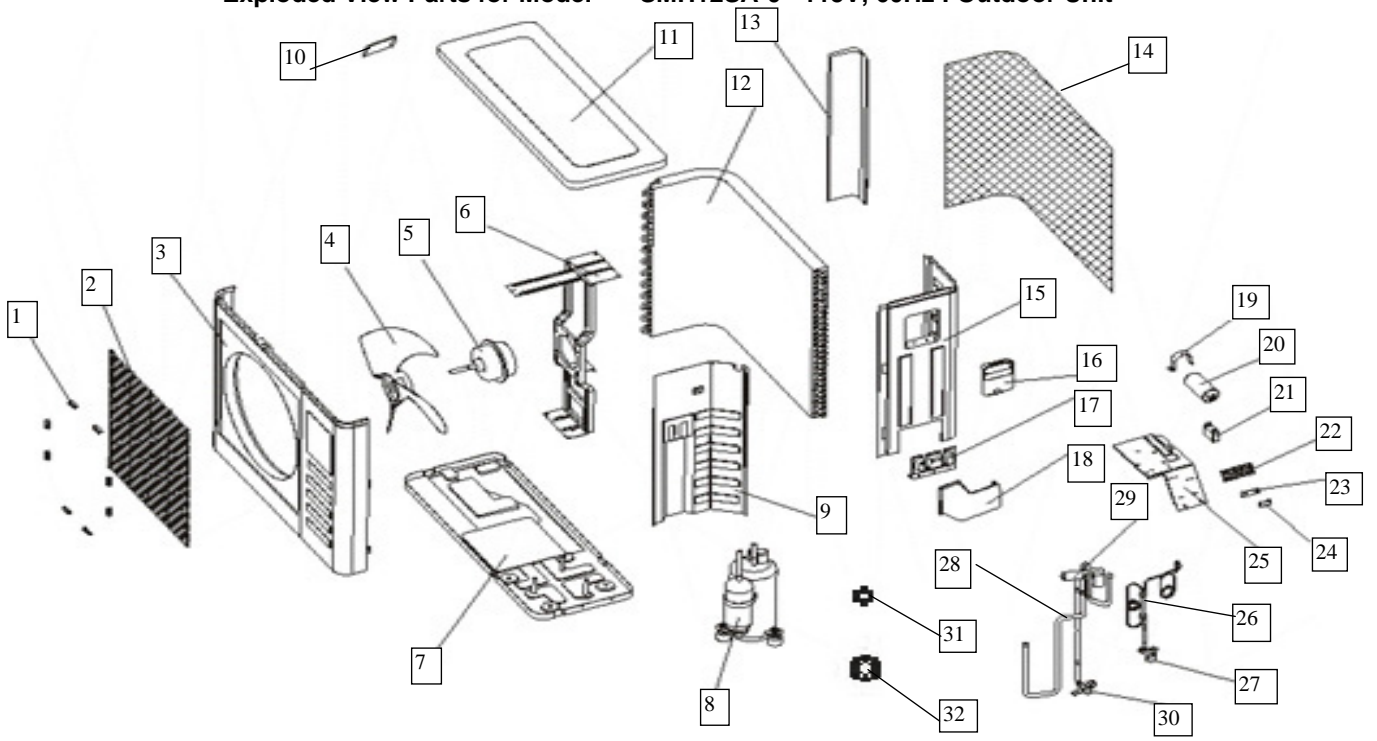


SMH12SA-0 Indoor Unit

No.	Part Name	Quantity	Part Number
1	Front panel	1	10318121201
2	Air filter	2	10318121202
3	Air cleaner	1	10109121226
	Air cleaner holder	1	10109121225
4	Panel frame	1	10318121203
5	Display panel	1	10418111001
6	Protector for temp sensor	1	10112121224
7	Clamp for temp sensor	1	10109121231
8	Horizontal louver, up	1	10318121205
9	Horizontal louver, down	1	10318121206
10	Louver motor	1	10321111062
11	Air out frame	1	10318121208
12	Left holder for evaporator	1	10318121210
13	Evaporator	1	10318121251
14	Bearing holder	1	10318121212
15	Cross flow fan, ass'y	1	10318121213
16	Chassis	1	10318121215
17	Installation plate	1	10318121216
18	Connecting pipe clamp	1	10318121217
19	DC motor	1	10312121259
20	Motor cover	1	10318121222
21	Evaporator temp sensor	1	10109121242
22	Indoor temp sensor	1	10109121243
23	Drain hose	1	10318113022
24	Bush	2	10318121224
25	Louver	12	10318121225
26	Louver holder	2	10318121226
27	Connecting bar for louver	1	10318121227
28	E-part box cover	1	10318121228
29	Program Chip	1	10321111064
30	E-parts box	1	11318113002
31	Main control board	1	10321111063
32	Display board, ass'y	1	10321111065
33	Display board enclosure	1	10312121231
34	Wire clamp for power cord	1	10318121234
35	Wire joint, 4p	1	10609111006
36	Holder, remote controller	1	10718121009
37	Remote controller (FAHRENHEIT)	1	10321121031
38	Switch board	1	10312121243
39	Connection pipe for drainage	1	11609121003
40	Sealing ring	1	31009321021
41	Copper nut, TLM-A01	1	10909121012
42	Copper nut, TLM-C03	1	10912121019

Part Name	Quantity	Part Number
Remote Controller (CELSIUS)	1	13407121001

Exploded View Parts for Model : SMH12SA-0 115V, 60Hz : Outdoor Unit



SMH12SH-0 Outdoor Unit

No.	Part Name	Quantity	Part Number
1	Clamp for front net	6	10112121801
2	Front net	1	10109121801
3	Front clapboard	1	11612121804
4	Propeller fan	1	10112121803
5	Fan motor	1	12109114801
6	Holder for fan motor	1	11607111055
7	Chassis	1	10312113804
8	Compressor	1	10312121247
9	Separating board	1	12909121804
10	Small Handle	1	10830121811
11	Cover	1	11612121806
12	Condenser	1	12812121802
13	Installation board, left	1	11612121805
14	Rear net	1	11607111058
15	Right clapboard	1	10312121239
16	Big handle	1	10309121003
17	Installation plate for valves	1	10309121809
18	Water collector	1	10312121811
19	Capacitor clamp	1	10109121822
20	Compressor capacitor	1	10318111009
21	Fan motor capacitor	1	11442122024
22	Wire joint	1	10309121005
23	Washer for wire joint	1	10112121817
24	Clamp for wiring	1	10112121816
25	Installation board for E-parts	1	10318111822
26	High Pressure Valve Ass'y	1	10321111809
27	Liquid pipe valve	1	10307121801
28	Low pressure Valve Ass'y	1	10312121548
29	4-ways valve	1	10321111811
30	Low-pressure Valve	1	10412121801
31	Copper nut, TLM-A01	1	10909121012
32	Copper nut, TLM-C03	1	10912121019
33	Main control board ass'y	1	10321121039
34	Outdoor pipe temp sensor	1	12909121803
35	Electric control assy	1	10321111812

**Design, material, performance data and components
subject to change without notice.**

HEAT CONTROLLER, INC.

1900 Wellworth Ave Jackson, Michigan 49203 • Ph. 517-787-2100 • Fax 517-787-9341

THE QUALITY LEADER IN CONDITIONING AIR

www.heatcontroller.com