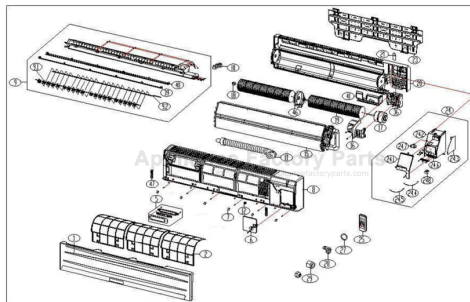


This Owner's Manual is provided and hosted by [Appliance Factory Parts](#).



COMFORT-AIRE B-VMH36SC-1 Owner's Manual

[Shop genuine replacement parts for COMFORT-AIRE
B-VMH36SC-1](#)



[Find Your COMFORT-AIRE HVAC Parts - Select From 1486 Models](#)

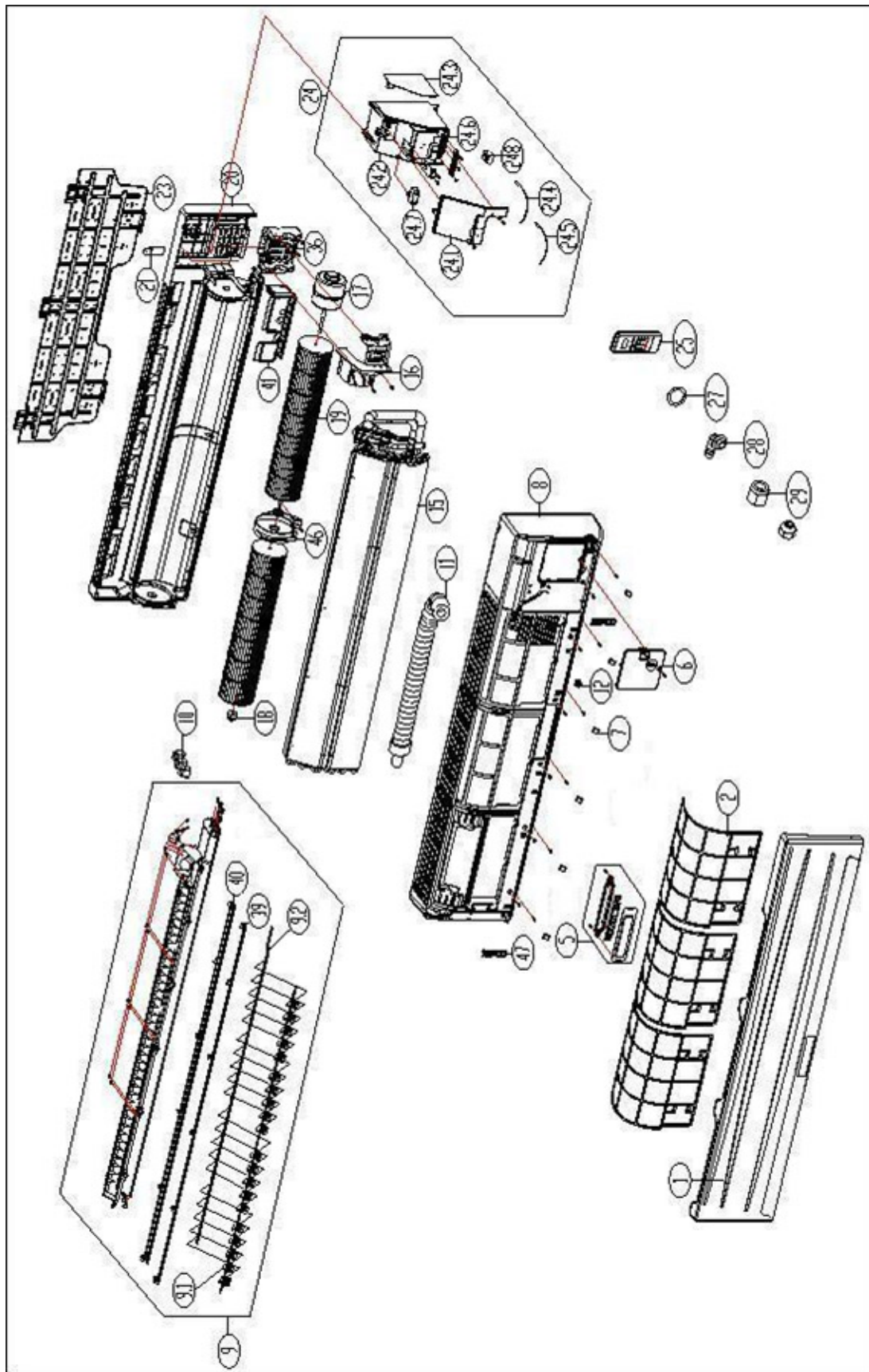
----- Manual continues below -----

HEAT CONTROLLER

**REPLACEMENT
PARTS LIST**

**Single Zone Inverter Heat Pump
Ductless Mini-Splits
B-VMH36SC-1
Indoor Evaporator**

EXPLODED VIEW



REPLACEMENT PARTS

Location	Part Name	Quantity	Part No.
1	Panel assembly	1	2011331A0715
2	Air filter	3	201133190183
5	Display box assembly	1	203333190104
6	Cover of indoor electronic control box	1	201133190209
7	Screw cap	6	201133190182
8	Panel frame assembly	1	201133190195
9	Air outlet assembly	1	201133190194
9.1	Vertical vane	20	P0000858966
9.2	Louver holder	1	P0000956191
9.2	Louver holder	1	P0000867119
9.2	Louver holder	1	P0000858991
9.2	Louver holder	1	P0000858983
9.2	Louver holder	1	P0000858987
10	Louver motor	1	202400200137
10	Louver motor	2	202400200136
11	Drain hose	1	201101020038
12	Baffle of temperature sensor	1	2015331A0044
15	Evaporator assembly	1	201533190088
16	Fan motor cover	1	201133190185
17	Asynchronous motor	1	202400401186
18	Bearing base	1	202733190001
18	Bearing base	1	202730100201
19	Cross flow fan	1	201100200308
19	Cross flow fan	1	201100200309
20	Chassis assembly	1	201133190208
21	Pipe clamp board	2	201232800103
23	Installation plate	1	201233190005
24	Electronic control box assembly	1	2033331A0088
24.1	Cover of electronic control box	1	201133190184
24.2	Electronic control box	1	201133190200
24.3	Main control board assembly	1	201333190136
24.4	Ambient temperature sensor assembly	1	202301300210
24.5	Pipe temperature sensor assembly	1	202301300080
24.6	Wire joint	1	202301450128
24.7	Fan motor capacitor	1	202401100353
24.8	Transformer	1	202300900167
25	Remote Controller	1	203355091200
27	Seal ring	1	202720090001
28	Drain connector	1	201101020011
29	Nut	1	201600320001
29	Nut	1	201600320003
36	Base of fan motor	1	201133190186
39	Horizontal louver (above)	1	201133190192
40	Horizontal louver (below)	1	201133190191
41	Front cover of chassis	1	201133190187
46	Fan holder assembly	1	201133190190
47	Mandril of Panel	2	201132390476

Design, material, performance data and components subject to change without notice.

HEAT CONTROLLER

1900 Wellworth Ave., Jackson, Michigan 49203 • Ph. 517-787-2100 • Fax 517-787-9341

www.heatcontroller.com

THE QUALITY LEADER IN CONDITIONING AIR