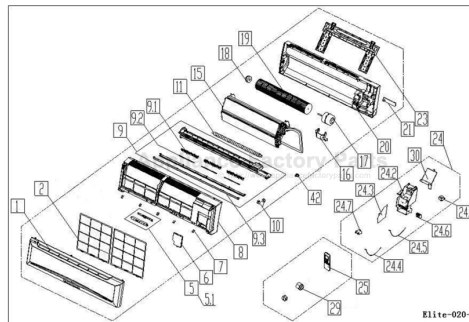


This Owner's Manual is provided and hosted by [Appliance Factory Parts](#).



COMFORT-AIRE B-SMH18SC Owner's Manual

[Shop genuine replacement parts for COMFORT-AIRE
B-SMH18SC](#)



[Find Your COMFORT-AIRE HVAC Parts - Select From 1486 Models](#)

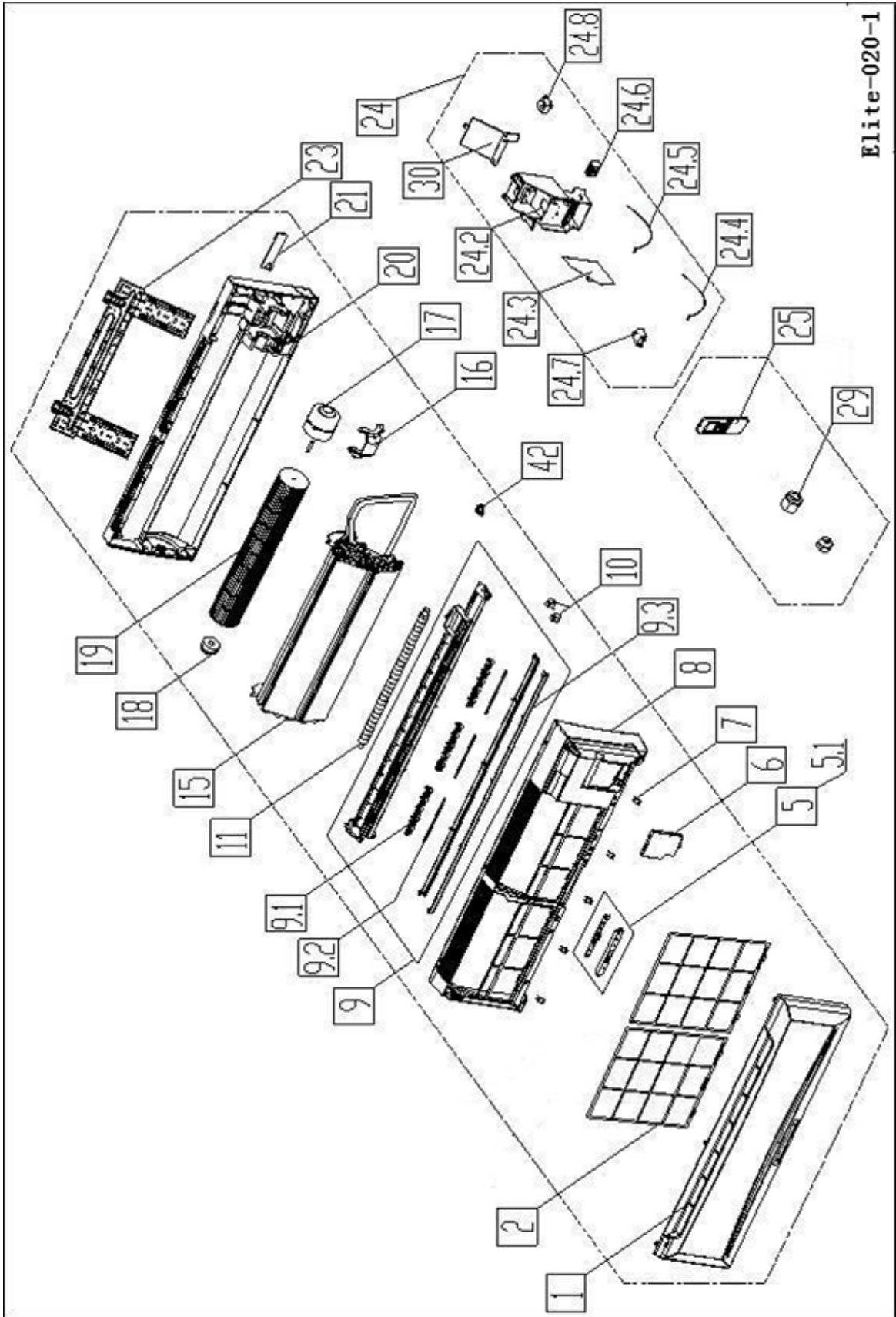
----- Manual continues below -----

HEAT CONTROLLER

**REPLACEMENT
PARTS LIST**

**Single Zone Heat Pump
Ductless Mini-Splits
B-SMH18SC
Indoor Evaporator**

EXPLODED VIEW



REPLACEMENT PARTS

Location	Part Name	Quantity	Part No.
1	Panel assembly	1	2011330A2331
2	Air filter	2	201130790315
5	Display box assembly	1	203332790077
5.1	Display board assembly	1	201332790089
6	Cover of indoor electronic control box	1	201130790486
7	Screw cap	3	201133090792
8	Panel frame assembly	1	201133090791
9	Air outlet assembly	1	201133090790
9.1	Vertical vane	15	201130790570
9.2	Louver holder	3	201130790145
9.3	Horizontal louver	1	201133090553
9.3	Horizontal louver	1	201133090554
10	Louver motor	1	202400200004
11	Drain hose	1	201101020038
15	Evaporator assembly	1	201532890105
16	Fan motor cover	1	201130790483
17	Asynchronous motor	1	202400400904
18	Bearing base	1	202730790001
19	Cross flow fan	1	201100290010
20	Chassis assembly	1	201133090793
21	Pipe clamp board	1	201230790016
23	Installation plate	1	20123309G010
24	Electronic control box assembly	1	203332890020
24.2	Electronic control box	1	201133090079
24.3	Main control board assembly	1	201332890061
24.4	Indoor temperature sensor assembly	1	202433190000
24.5	Pipe temperature sensor assembly	1	202301300584
24.6	Terminal strip	1	202301400064
24.7	Fan motor capacitor	1	202401100353
24.8	Transformer	1	20230090a170
25	Remote Controller	1	203355091202
27	Seal ring	1	202720090001
28	Drain connecter	1	201101020011
29	Nut	1	201600320002
29	Nut	1	201600320000
30	Cover of electronic control box	1	201130790479
42	Fix clamp of temperature sensor	1	201102000305

Due to ongoing product improvements, specifications and dimensions are subject to change and correction without notice or incurring obligations. Determining the application and suitability for use of any product is the responsibility of the installer. Additionally, the installer is responsible for verifying dimensional data on the actual product prior to beginning any installation preparations.

Incentive and rebate programs have precise requirements as to product performance and certification. All products meet applicable regulations in effect on date of manufacture; however, certifications are not necessarily granted for the life of a product. Therefore, it is the responsibility of the applicant to determine whether a specific model qualifies for these incentive/rebate programs.

HEAT CONTROLLER

1900 Wellworth Ave., Jackson MI 49203 • Ph. 517-787-2100 • www.heatcontroller.com

A  Company