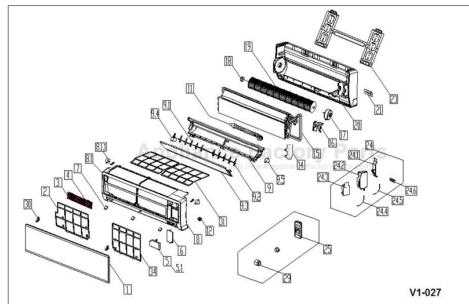


This Owner's Manual is provided and hosted by [Appliance Factory Parts](#).



COMFORT-AIRE B-VMH12SC-1 Owner's Manual

[Shop genuine replacement parts for COMFORT-AIRE
B-VMH12SC-1](#)



[Find Your COMFORT-AIRE HVAC Parts - Select From 1486 Models](#)

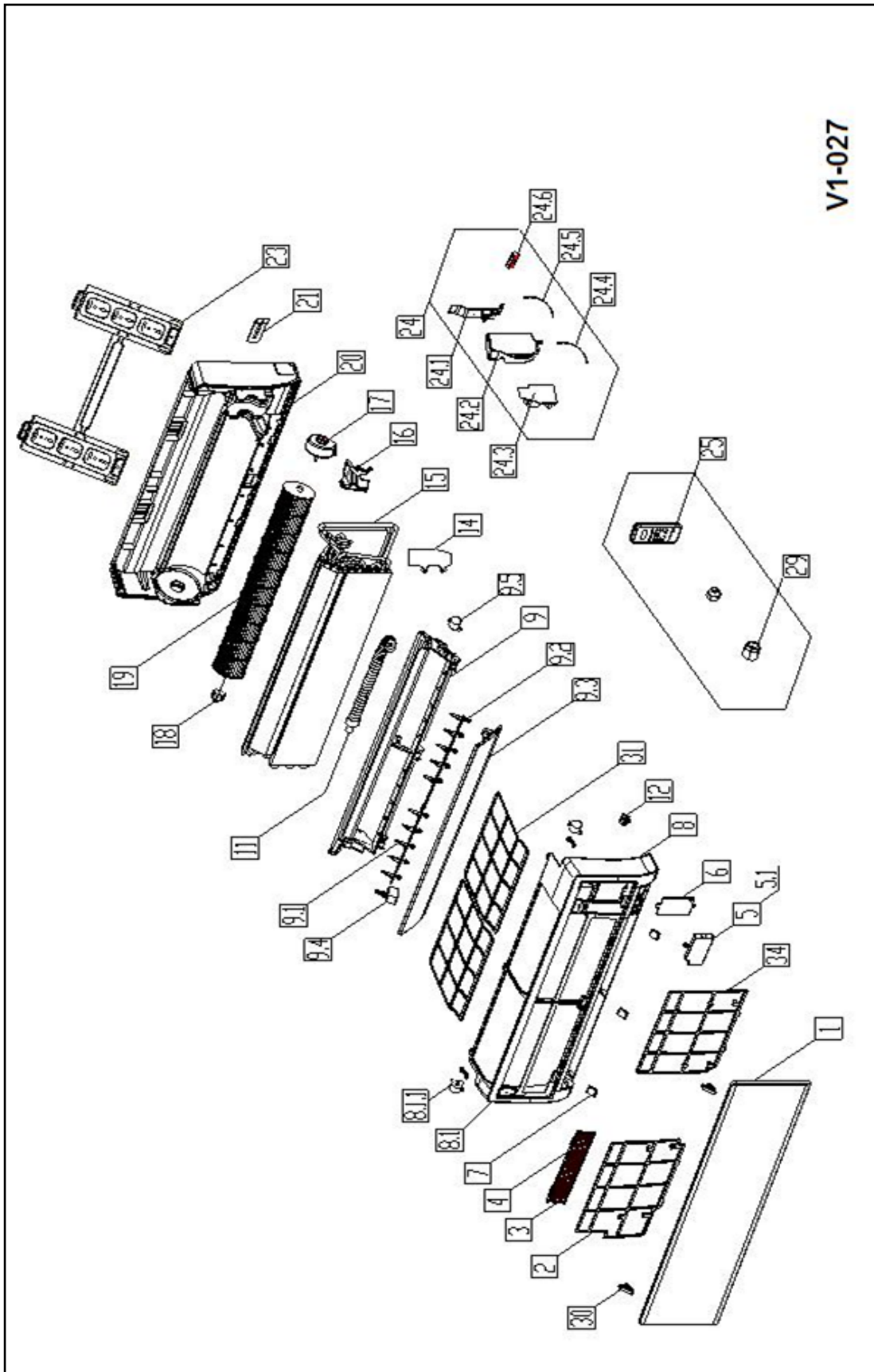
----- Manual continues below -----

HEAT CONTROLLER, INC.

REPLACEMENT PARTS LIST

**Single Zone Inverter Heat Pump
Ductless Mini-Splits
B-VMH12SC-1
Indoor Evaporator**

EXPLODED VIEW



REPLACEMENT PARTS

Location	Part Name	Quantity	Part No.
1	Panel assembly	1	2011325A2704
2	Air filter(left)	1	201132500013
5	Display box assembly	1	203332590183
5.1	Display board assembly	1	201332590462
6	Cover of indoor electronic control box	1	201132500012
7	Screw cap	3	201132500055
8	Panel frame assembly	1	201132501024
8.1	Panel frame assembly	1	201132501131
8.1.1	Louver motor	1	202400200105
9	Air outlet assembly	1	201132590968
9.1	Vertical vane	10	201132590031
9.2	Louver holder	1	201132500032
9.2	Louver holder	1	201132500031
9.3	Horizontal louver	1	201132500060
9.4	Ionizer generator	1	202403000006
9.5	Louver motor	1	202400200017
11	Drain hose	1	201101020038
14	Waterproof board	1	201132500002
15	Evaporator assembly	1	201532590004
16	Fan motor cover	1	201132500017
17	Asynchronous motor	1	202400370022
18	Bearing base	1	202730100201
19	Cross flow fan	1	201100200106
20	Chassis assembly	1	201132500007
21	Pipe clamp board	1	201232500001
23	Installation plate	1	201232590025
24	Electronic control box assembly	1	2033325A0664
24.1	Cover of electronic control box	1	201132500021
24.2	Electronic control box	1	201132500022
24.3	Main control board assembly	1	201332590549
24.4	Indoor temperature sensor assembly	1	202433190000
24.5	Pipe temperature sensor assembly	1	202301300080
24.6	Wire joint	1	202301450119
25	Remote Controller	1	203355091200
27	Seal ring	1	202720090001
28	Drain connecter	1	201101020011
29	Nut	1	201600320002
29	Nut	1	201600320000
30	Hinge Slide groove	2	201132500010
31	Air inlet grille assembly	1	201132500054
34	Air filter(right)	1	201132500011

Design, material, performance data and components
subject to change without notice.

HEAT CONTROLLER, INC.

1900 Wellworth Ave., Jackson, MI 49203 • Ph. 517-787-2100 • Fax 517-787-9341

THE QUALITY LEADER IN CONDITIONING AIR

www.heatcontroller.com