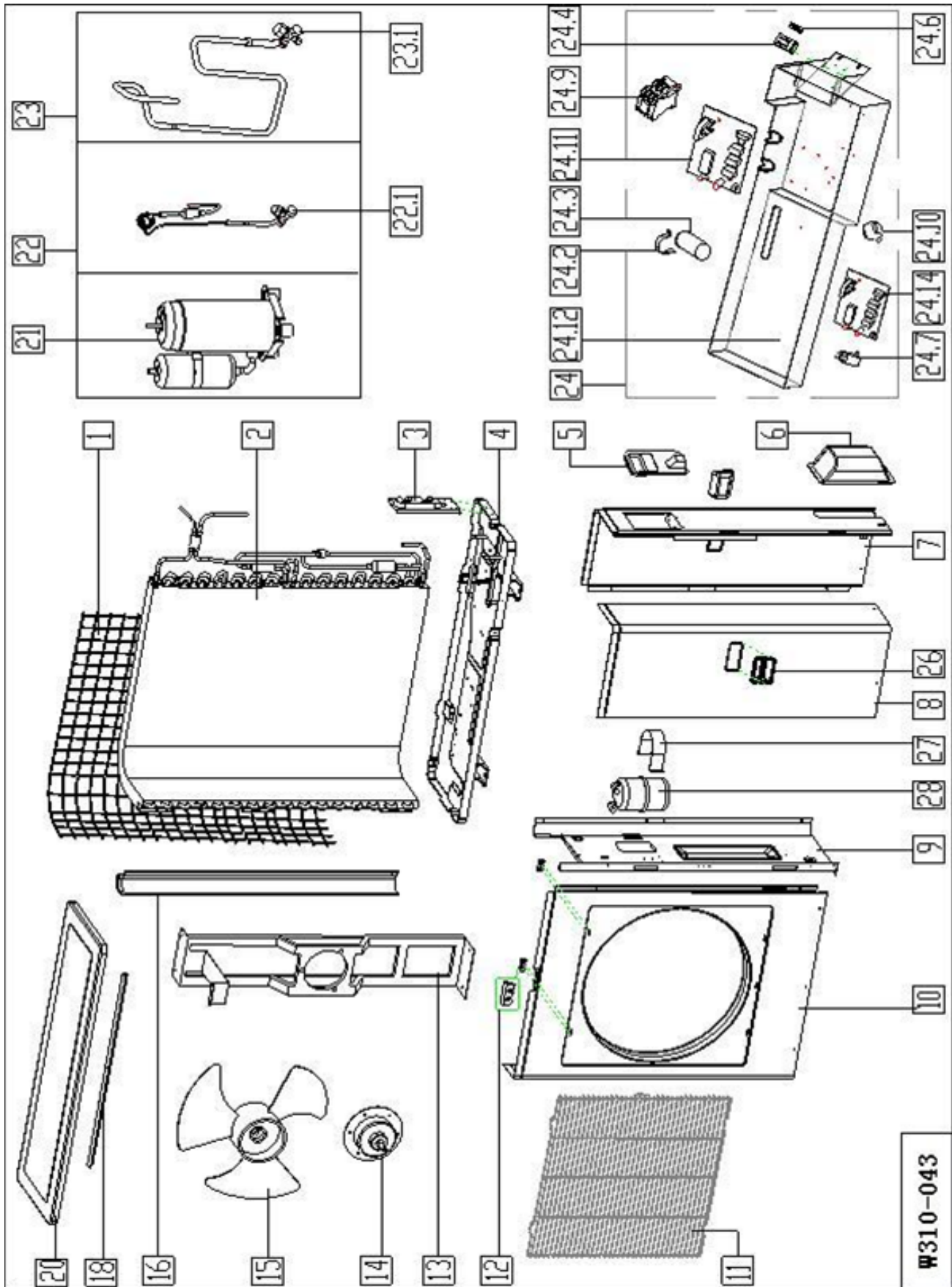


HEAT CONTROLLER, INC.

# **REPLACEMENT PARTS LIST**

## **Single Zone Ductless Mini-Splits A-SMA24SC-1 Outdoor Condenser**

# EXPLODED VIEW



W310-043

# REPLACEMENT PARTS

Location	Part Name	Quantity	Part No.
1	Rear net	1	2011482G0001
2	Condenser assembly	1	201538190010
3	Valve plate	1	201248300316
4	Chassis assembly	1	201248300312
5	Big handle	1	201237390104
6	Water collector	1	201138090005
7	Rear right clapboard assembly	1	201238090067
8	Front right clapboard assembly	1	201248200082
9	Partition board assembly	1	201248200121
10	Front panel	1	201248200126
11	Air outlet grille	1	201237890119
12	Clamp of front net	8	201135110801
13	Supporter assembly of fan motor	1	201238190011
14	Asynchronous motor	1	202400430115
15	Axial flow fan	1	201100300202
16	Left supporter	1	201248400036
18	Rear net frame	1	201248200095
20	Top cover assembly	1	201248300309
21	Compressor	1	201400630510
22	liquid valve assembly	1	201638090089
22.1	Liquid valve	1	201600740706
23	suction pipe assembly	1	201638090088
23.1	Gas valve	1	201600720396
24	Electronic control box assembly	1	2033380A0066
24.2	Capacitor clip	1	201200100057
24.3	Capacitor of compressor	1	202401090057
24.4	Wire joint	1	202301420102
24.4	Wire joint	1	202301450122
24.6	Insulation plate	1	201135000004
24.7	Fan motor capacitor	1	202401100407
24.9	AC contactor	1	202300850046
24.10	Transformer	1	202300900179
24.11	Main control board assembly	1	201337990051
24.12	Electronic control box	1	201238190021
24.14	Low ambient kit	1	203319900480
26	Handle	2	201148700009
27	Fix clamp of segregator	1	201245000901
28	Accumulator cylinder	1	201601000503

Design, material, performance data and components  
subject to change without notice.

## HEAT CONTROLLER, INC.

1900 Wellworth Ave., Jackson, MI 49203 ♦ Ph. 517-787-2100 ♦ Fax 517-787-9341

THE QUALITY LEADER IN CONDITIONING AIR

**[www.heatcontroller.com](http://www.heatcontroller.com)**