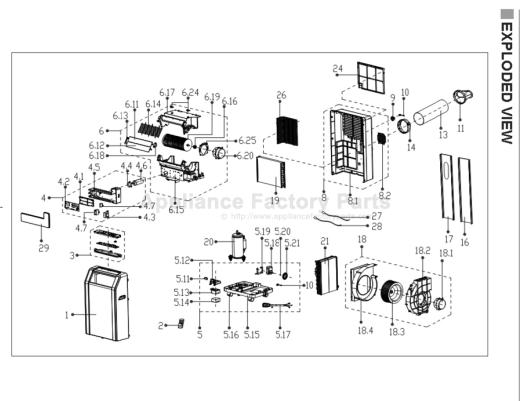


This Owner's Manual is provided and hosted by [Appliance Factory Parts](http://Appliance Factory Parts).



# COMFORT-AIRE PS-81A Owner's Manual

[Shop genuine replacement parts for COMFORT-AIRE PS-81A](#)



[Find Your COMFORT-AIRE Air Conditioner Parts - Select From 599 Models](#)

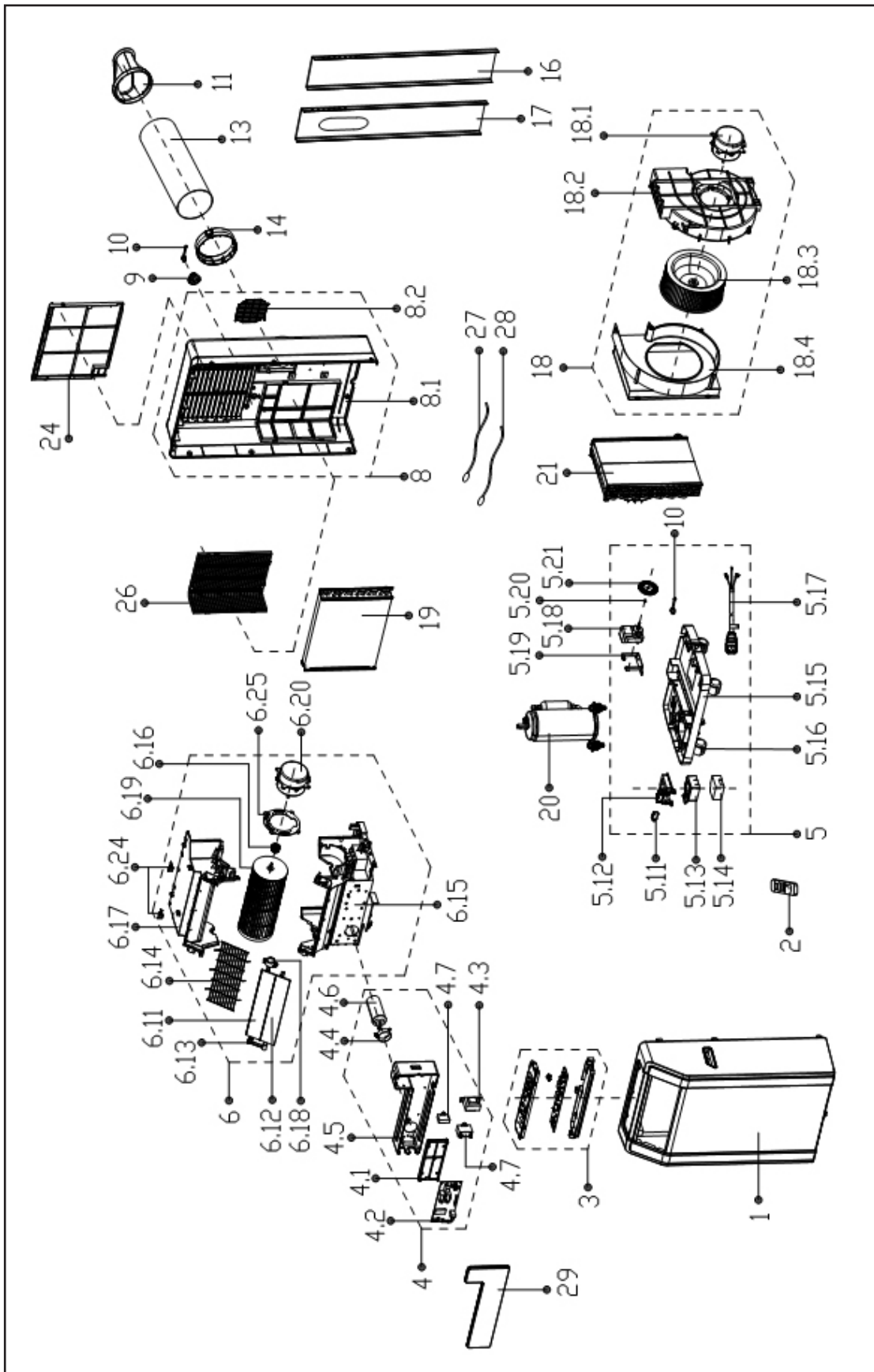
----- Manual continues below -----

HEAT CONTROLLER

**REPLACEMENT  
PARTS LIST**

**Portable Air Conditioner:  
PS-81A**

# EXPLODED VIEW



# REPLACEMENT PARTS

Location	Part Name	Quantity	Part No.
1	Front panel	1	2011252A0256
2	Remote controller	1	2033550A8138
3	Display box assembly	1	2033252A0112
4	Electronic control box assembly	1	203325190029
4.1	Bracket of main control board	1	201125190238
4.2	Main control board assembly	1	201325190034
4.3	Transformer	1	202300900193
4.4	Capacitor clip	1	201225590048
4.5	Electronic control box	1	201225590020
4.6	Capacitor of compressor	1	202401090005
4.7	Capacitor of fan motor	1	202401100990
4.7	Capacitor of fan motor	1	202401100977
5	Chassis assembly	1	201125190153
5.11	Micro switch	1	202301830111
5.12	Bracket of micro switch	1	201125190071
5.13	Dobber case	1	201125190072
5.14	Dobber	1	202225190001
5.15	Chassis	1	201125190070
5.16	Universal wheel	4	202725100004
5.17	Power cord	1	202402260114
5.18	Shaded pole motor	1	202400700021
5.19	Supporter assembly of fan motor	1	201225190019
5.20	Spring	1	201225490030
5.21	Water wheel	1	201125290026
6	Inside volute shell assembly	1	201125190150
6.11	Horizontal louver (above)	1	201125290035
6.12	Horizontal louver (below)	1	201125290036
6.13	Connecting rod of louver	1	201125290016
6.14	Air outlet grille	1	201225290004
6.15	Bottom bracket of indoor volute Shell	1	201125290007
6.16	Bearing bracket	1	202730100201
6.17	Upper bracket of indoor volute Shell	1	201125290008
6.18	Louver motor	1	202400200134
6.19	Cross flow fan	1	201100200114
6.20	Asynchronous motor	1	202400400978
6.24	Fixing board of panel	2	201225290009
6.25	Supporter assembly of fan motor	1	201225490119
8	Rear panel assembly	1	2011252A0266
8.1	Rear panel	1	201125290158
8.2	wire net	1	201225190035
9	Drain connector	1	201125490271
10	Drain stopper	1	202725490013
10	Drain stopper	1	202725490002
11	Prolate vent	1	201125690024
13	Vent-pipe	1	201125190159
14	Vent joint	1	2011251A0343
16	Window sealing board I	1	201125090001
17	Window sealing board II	1	201125090002

## REPLACEMENT PARTS continued

18	Outside volute shell assembly	1	201125190149
18.1	Asynchronous motor	1	202400400969
18.2	Outside volute shell	1	201125290024
18.3	Centrifugal fan	1	201100100222
18.4	Cover of outside volute shell	1	201125290025
19	Evaporator coil assembly	1	201525190060
20	Compressor	1	201402000570
21	Condenser assembly	1	201525590046
24	Filter(top)	1	2011252A0268
25	Filter(down)	1	201125290153
26	grille(down)	1	2011252A0267
27	Ambient temperature sensor assembly	1	202301310075
28	Pipe temperature sensor assembly	1	202301310085
29	Cover of electronic control box	1	201225590019

*Design, material, performance data and components subject to change without notice.*

# HEAT CONTROLLER

1900 Wellworth Ave., Jackson, Michigan 49203 • Ph. 517-787-2100 • Fax 517-787-9341

**[www.heatcontroller.com](http://www.heatcontroller.com)**

**THE QUALITY LEADER IN CONDITIONING AIR**