

This Owner's Manual is provided and hosted by [Appliance Factory Parts](#).



COMFORT-AIRE PS-91B1 Owner's Manual

[Shop genuine replacement parts for COMFORT-AIRE
PS-91B1](#)



[Find Your COMFORT-AIRE Air Conditioner Parts - Select From 599 Models](#)

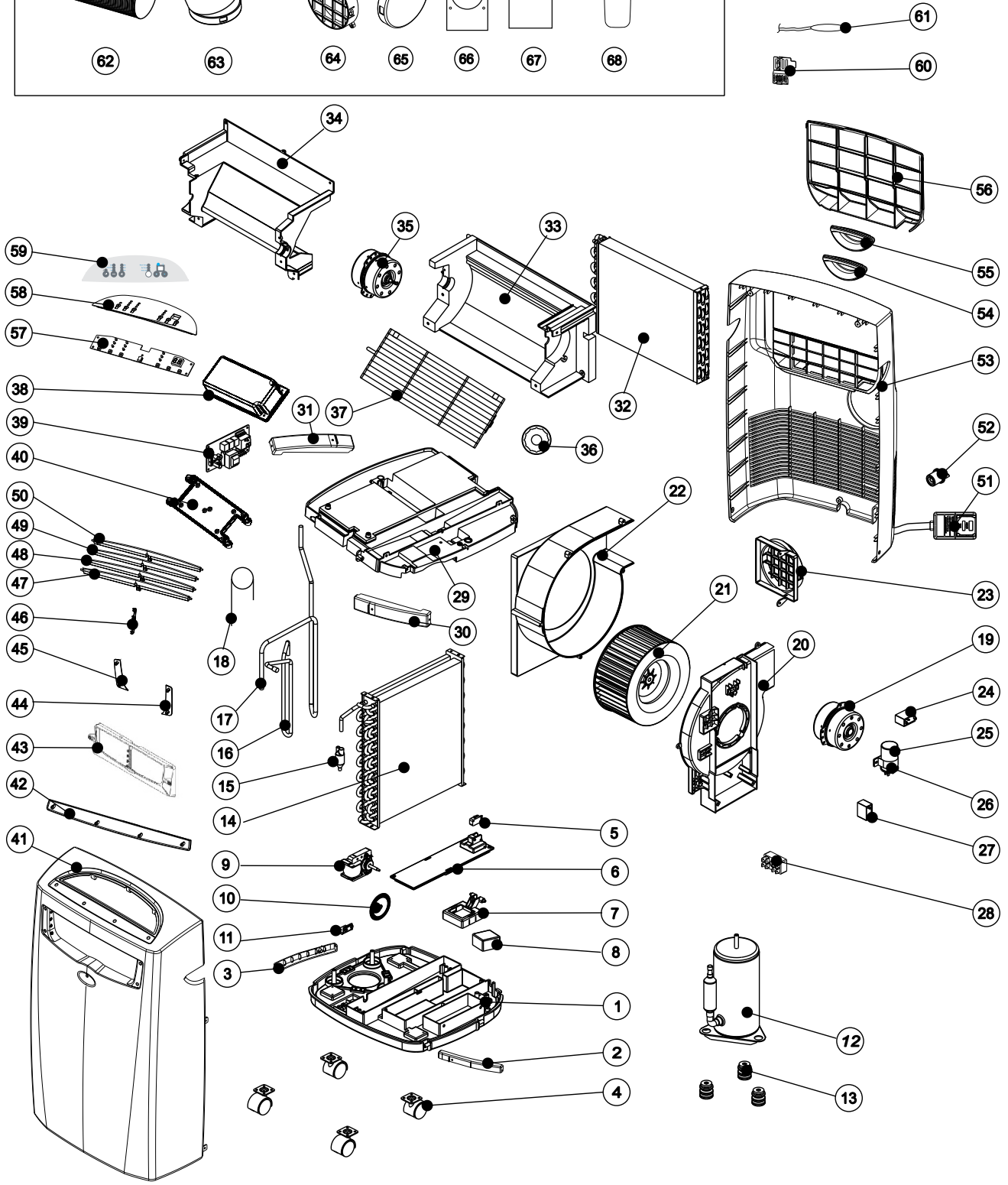
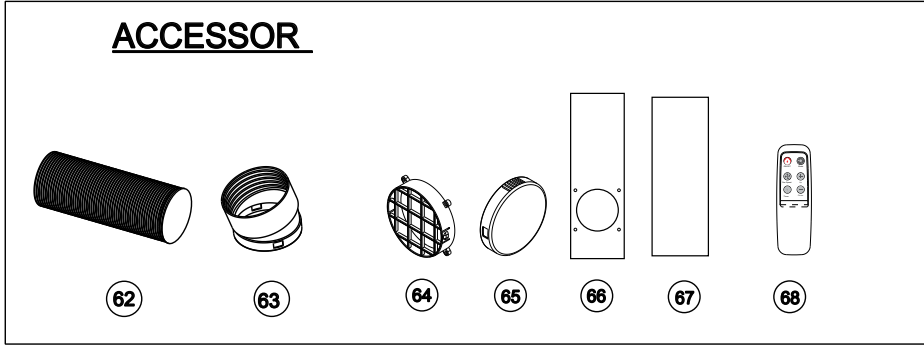
----- Manual continues below -----

HEAT CONTROLLER, INC.

REPLACEMENT PARTS LIST

**Portable Air Conditioner:
PS-91B1**

EXPLODED VIEW



REPLACEMENT PARTS

NO	MATERIAL	PARTS NAME	Q'TY
1	A4805-060-A-11	BASE PAN	1
2	A5805-180-A-11	STRIKE - L	1
3	A5805-170-A-11	STRIKE - R	1
4	A7402-020	TURING WHEEL	4
5	A2506-040	MICRO SWITCH	1
6	A5408-070-H-11	DRAIN BUCKET COVER	1
7	A5405-010-H-11	FLOAT	1
8	A5404-030	FLOAT	1
9	A3000-900	FAN MOTOR (WT-15T1-03)	1
10	A5311-030-A-11	BLADE	1
11	A5802-440	STRIKE	1
12	A3203-300	COMPRESSOR ASS'Y (39A201A)	1
13	A5600-020	RUBBER	3
14	A3422-591	CONDENSER ASS'Y	1
15	D6210-060	Y TUBE	1
16	A6210-080	DISCHARGE PIPE	1
17	A6232-340	SUCTION PIPE	1
18	A6204-520	CAPILARY TUBE	1
19	A3020-450	FAN MOTOR (D94-070T1-A1)	1
20	A5301-270-AB-22	FAN CASING	1
21	A5304-450-AH-11	BLOWER WHEEL	1
22	A5301-300-A-22	FAN CASING	1
23	A5812-260-AH-22	FIXTURE	1
24	A2509-410	CAPCITOR (9uF/250V) for motor	1
25	A2510-450	CAPCITOR (40uF/250V) for Compressor	1
26	A5806-130	STRIKE	1
27	A2509-060	CAPCITOR(4uF/250V) for Motor	1
28	A2525-020	TERMINAL BLOCK	1
29	A5702-110-A-22	PLATE	1
30	A5805-160-A-11	STRIKE - R	1
31	A5805-150-A-11	STRIKE - L	1
32	A3419-581	EVAPORATOR ASS'Y	1
33	A5301-470-A-22	FAN CASING	1
34	A5301-450-A-22	FAN CASING	1
35	A3002-320	FAN MOTOR (LS-16T3-02)	1
36	A4247-020	BEARING	1
37	A5308-030	CROSS FLOW FAN	1
38	A6101-610-AF-11	COVER	1
39	A2516-770	CONTROL BOARD	1
40	A5812-670-AF-11	FIXTURE	1
41	A4201-270-A-BS	FRONT PANEL	1
42	A6101-170-A-CA	COVER	1
43	A4238-250-H-BS	DISCHARGE GRILLE	1
44	A6101-280-A-CA	COVER	1
45	A6101-270-A-CA	COVER	1
46	A4251-170-P-BS	BAR	1
47	A4243-330-H-BS	VAN AIR DEFLEETOR-1	1
48	A4243-340-H-BS	VAN AIR DEFLEETOR-2	1
49	A4243-350-H-BS	VAN AIR DEFLEETOR-3	1
50	A4243-360-H-BS	VAN AIR DEFLEETOR-4	1

REPLACEMENT PARTS continued

51	A3702-130	POWER SUPPLY CORD COMPLETE	1
52	A7305-010-A-22	DRAIN PLUG	1
53	A4219-350-A-BS	REAR PANEL	1
54	A4258-050-A-BS	HANDLE-L	1
55	A4258-060-A-BS	HANDLE-R	1
56	A7301-210-A-BS	AIR FILTER	1
57	A2521-950	PC BOARD	1
58	A4254-310-H-BS	CONTORL PLATE	1
59	A6931-530-M9	CONTROL PLANE	1
60	A5812-540-P-11	FIXTURE	1
61	A2524-180	SENSOR for room temperature	1
62	A6200-070	HEAT EXHAUST HOSE	1
63	A5815-090-H-BS	HEAT EXHAUST HOSE CONNECTOR	2
64	A5812-210-H-BS	FIXTURE	1
65	A6101-230-H-BS	COVER	1
66	A5700-220	PLATE	1
67	A5700-240	PLATE	1
68	A2529-090	REMOTE CONTROL ASS'Y	1

Design, specifications, performance data and materials subject to change without notice.

HEAT CONTROLLER, INC.

1900 Wellworth Ave., Jackson, Michigan 49203 • Ph. 517-787-2100 • Fax 517-787-9341

www.heatcontroller.com

THE QUALITY LEADER IN CONDITIONING AIR