

HEAT CONTROLLER, INC.

Comfort-Aire[®]

PORTABLE ROOM AIR CONDITIONER

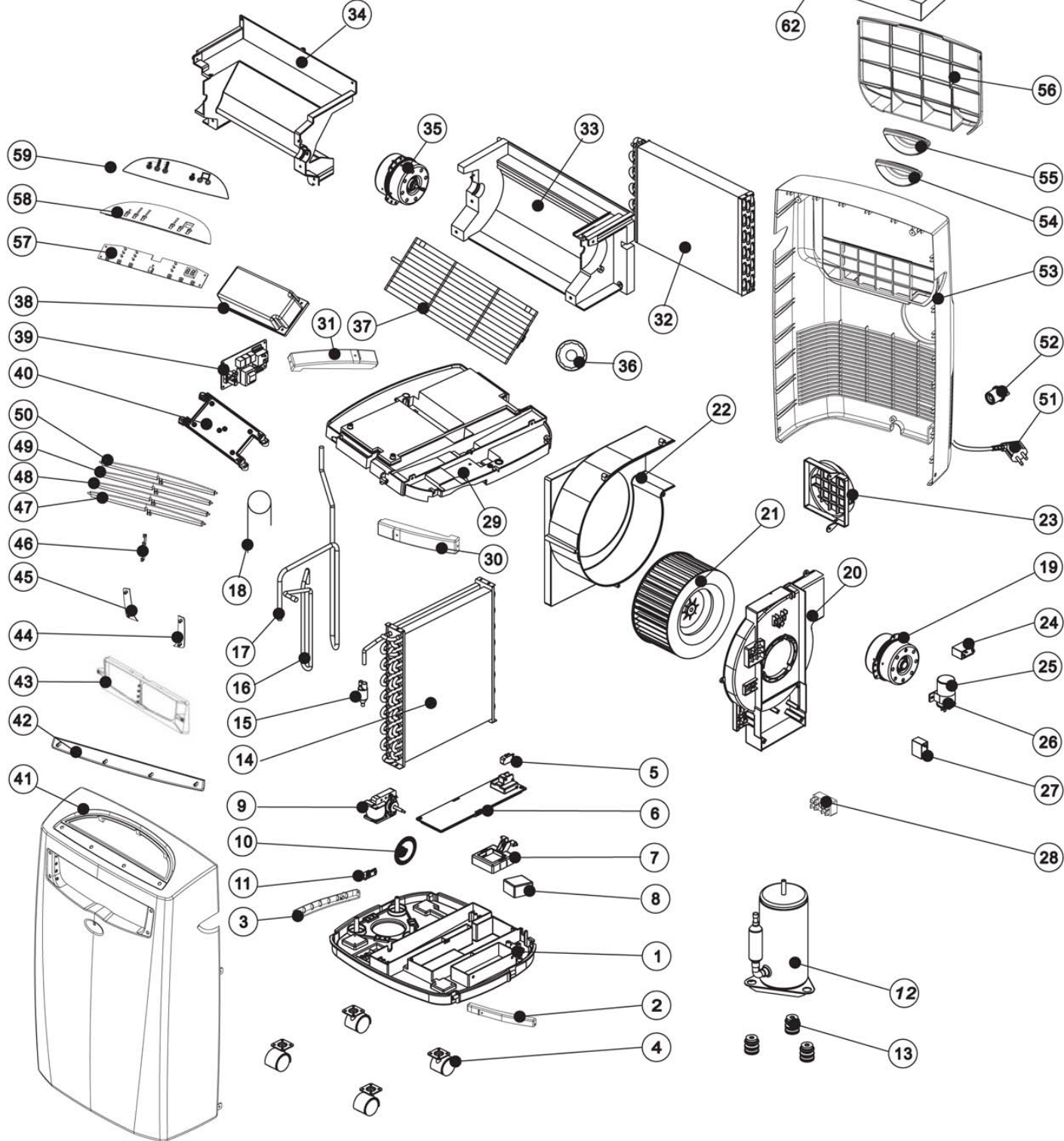
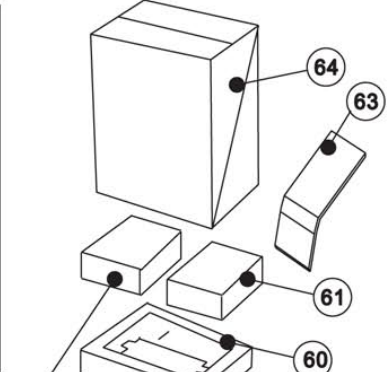
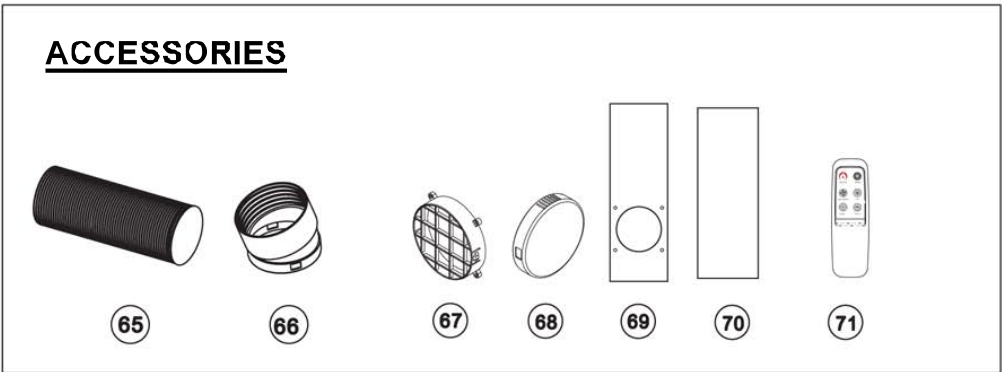


PS-71B &
PS-91B

Replacement Parts List

EXPLODED VIEW

ACCESSORIES



PS-71B Replacement Parts List

NO	PART NUMBER	PART NAME	Q'TY
1	A4805-050-A-11	BASE PAN	1
2	A5805-180-A-11	STRIKE-L	1
3	A5805-170-A-11	STRIKE-R	1
4	A7402-020	CASTERS	4
5	A2506-020	MICRO SWITCH	1
6	A5408-070-H-11	DRAIN BUCKET COVER	1
7	A5405-010-H-11	FLOAT	1
8	A5404-030	FLOAT	1
9	A3001-590	FAN MOTOR(WT-10T1-01)	1
10	A5311-030-A-11	BLADE	1
11	A5802-440	STRIKE	1
12	A3203-100	COMPRESSOR ASS'Y(41T086R2)	1
13	A5600-170	RUBBER ISOLATION GROMMETS	3
14	A3422-590	CONDENSER ASSEMBLY	1
15	A3408-010	STRAINER COMPLETE	1
16	A 6209-620	DISCHARGE PIPE	1
17	A6228-790	SUCTION PIPE	1
18	A6204-410	CAPILARY TUBE	1
19	A3000-920	FAN MOTOR(LS-53D1-4P)	1
20	A5301-270-AH-11	FAN CASING	1
21	A5304-450-AH-11	BLOWER WHEEL	1
22	A5301-290-A-11	FAN CASING	1
23	A5812-270-A-BS	FIXTURE	1
24	A2509-410	CAPACITOR(9uF/250V)(FOR CONDENSER FAN MOTOR(19))	1
25	A2509-830	CAPACITOR(25uF/300V)(FOR COMPRESSOR(12))	1
26	FD7206-010	STRIKE	1
27	A2509-060	CAPACITOR (4uF/250V)(FOR EVAPORATOR FAN MOTOR (35))	1
28	A2525-020	TERMINAL BLOCK	1
29	A5702-110-A-22	PLATE	1
30	A5805-160-A-11	STRIKE-L	1
31	A5805-150-A-11	STRIKE-R	1
32	A3419-350	EVAPORATOR ASS'Y	1
33	A5301-470-A-22	FAN CASING	1
34	A5301-450-A-22	FAN CASING	1
35	A3002-320	EVAPORATOR FAN MOTOR(LS-16T3-02)	1
36	A4247-020	BEARING	1

PS-71B Replacement Parts List continued

NO	PART NUMBER	PART NAME	Q'TY
37	A5308-030	CROSS FLOW FAN	1
38	A6101-610-AF-11	COVER	1
39	A2516-770	CONTROL BOARD	1
40	A5812-670-AF-11	FIXTURE	1
41	A4201-270-A-BS	FRONT PANEL	1
42	A6101-170-A-CA	COVER	1
43	A4238-250-H-BS	DISCHARGE GRILLE	1
44	A6101-280-A-CA	COVER-R	1
45	A6101-270-A-CA	COVER-L	1
46	A4251-170-P-BS	BAR	1
47	A4243-330-H-BS	VANE-AIR DEFLEETOR-1	1
48	A4243-340-H-BS	VANE-AIR DEFLEETOR-2	1
49	A4243-350-H-BS	VANE-AIR DEFLEETOR-3	1
50	A4243-360-H-BS	VANE-AIR DEFLEETOR-4	1
51	A3700-880	POWER SUPPLY CORD COMPLETE	1
52	A7307-060	SOFT CAP	1
53	A4219-350-A-BS	REAR PANEL	1
54	A4258-050-A-BS	HANDLE-L	1
55	A4258-060-A-BS	HANDLE-R	1
56	A7301-210-A-BS	AIR FILTER	1
57	A2521-950	PC BOARD	1
58	A4254-310-H-BS	CONTROL PLATE	1
59	A6931-530-M9	CONTROL PANEL	1
60	A7108-230	SHOCK ABSORBER	1
61	A7108-210	SHOCK ABSORBER	1
62	A7108-220	SHOCK ABSORBER	1
63	A7105-400	PAPER	1
64	A7018-440	CARTON	1
65	A6200-070	HEAT EXHAUST HOSE	1
66	A5815-090-H-BS	HEAT EXHAUST HOSE CONNECTOR	2
67	A5812-210-H-BS	FIXTURE	1
68	A6101-230-H-BS	EXHAUST COVER	1
69	A5700-220	WINDOW PLATE	1
70	A5700-240	WINDOW PLATE	1
71	A2529-090	REMOTE CONTROL	1

PS-91B Replacement Parts List

NO	PART NUMBER	PART NAME	Q'TY
1	A4805-050-A-11	BASE PAN	1
2	A5805-180-A-11	STRIKE -L	1
3	A5805-170-A-11	STRIKE -R	1
4	A7402-020	Casters	4
5	A2506-020	MICRO SWITCH	1
6	A5408-070-H-11	DRAIN BUCKET COVER	1
7	A5405-010-H-11	FLOAT	1
8	A5404-030	FLOAT	1
9	A3001-590	FAN MOTOR (WT-10T1-01)	1
10	A5311-030-A-11	BLADE	1
11	A5802-440	STRIKE	1
12	A3203-120	COMPRESSOR ASS'Y (41T086-A2)	1
13	A5600-170	RUBBER ISOLATION GROMMENTS	3
14	A3422-590	CONDENSER ASS'Y	1
15	A3408-010	STRAINER COMPLETE	1
16	A6209-550	DISCHARGE PIPE	1
17	A6228-800	SUCTION PIPE	1
18	A6204-460	CAPILARY TUBE	1
19	A3000-920	FAN MOTOR (LS-53T1-4P)	1
20	A5301-270-AH-11	FAN CASING	1
21	A5304-450-AH-11	BLOWER WHEEL	1
22	A5301-290-A-11	FAN CASING	1
23	A5812-270-A-BS	FIXTURE	1
24	A2509-410	CAPACITOR (9uF/250V) (FOR CONDENSER FAN MOTOR (19))	1
25	A2509-840	CAPACITOR (30uF/300V) (FOR COMPRESSOR (12))	1
26	FD7206-010	STRIKE	1
27	A2509-060	CAPACITOR (4uF/250V) (FOR FAN MOTOR (35))	1
28	A2525-020	TERMINAL BLOCK	1
29	A5702-110-A-22	PLATE	1
30	A5805-160-A-11	STRIKE -L	1
31	A5805-150-A-11	STRIKE -R	1
32	A3419-490	EVAPORATOR ASS'Y	1
33	A5301-470-A-22	FAN CASING	1
34	A5301-450-A-22	FAN CASING	1
35	A3002-320	EVAPORATOR FAN MOTOR (LS-16T3-02)	1
36	A4247-020	BEARING	1

PS-91B Replacement Parts List continued

NO	PART NUMBER	PART NAME	Q'TY
37	A5308-030	CROSS FLOW FAN	1
38	A6101-610-AF-11	COVER	1
39	A2516-770	CONTROL BOARD	1
40	A5812-670-AF-11	FIXTURE	1
41	A4201-270-ABS	FRONT PANEL	1
42	A6101-170-ACA	COVER	1
43	A4238-250-HBS	DISCHARGE GRILLE	1
44	A6101-280-ACA	COVER -R	1
45	A6101-270-ACA	COVER -L	1
46	A4251-170-PBS	BAR	1
47	A4243-330-HBS	VANE AIR DEFLEETOR - 1	1
48	A4243-340-HBS	VANE AIR DEFLEETOR - 2	1
49	A4243-350-HBS	VANE AIR DEFLEETOR - 3	1
50	A4243-360-HBS	VANE AIR DEFLEETOR - 4	1
51	A3701-340	POWER SUPPLY CORD COMPLETE	1
52	A7307-060	SOFT CAP	1
53	A4219-350-ABS	REAR PANEL	1
54	A4258-050-ABS	HANDLE -L	1
55	A4258-060-ABS	HANDLE -R	1
56	A7301-210-ABS	AIR FILTER	1
57	A2521-950	PC BOARD	1
58	A4254-310-HBS	CONTROL PLATE	1
59	A6931-530-M9	CONTROL PANEL	1
60	A7108-230	SHOCK ABSORBER	1
61	A7108-210	SHOCK ABSORBER	1
62	A7108-220	SHOCK ABSORBER	1
63	A7105-400	PAPER	1
64	A7018-430	CARTON	1
65	A6200-070	HEAT EXHAUST HOSE	1
66	A5815-090-HBS	HEAT EXHAUST HOSE CONNECTOR	2
67	A5812-210-HBS	FIXTURE	1
68	A6101-230-HBS	EXHAUST COVER	1
69	A5700-220	WINDOW PLATE	1
70	A5700-240	WINDOW PLATE	1
71	A2529-090	REMOTE CONTROL	1

Design, material, performance data and components
subject to change without notice.

HEAT CONTROLLER, INC.

1900 Wellworth Ave., Jackson, MI 49203 ♦ Ph. 517-787-2100 ♦ Fax 517-787-9341

THE QUALITY LEADER IN CONDITIONING AIR

www.heatcontroller.com