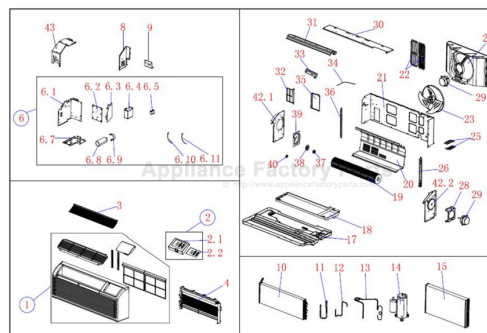


This Owner's Manual is provided and hosted by [Appliance Factory Parts](http://Appliance Factory Parts).



# COMFORT-AIRE EKTC09G135A Owner's Manual

[Shop genuine replacement parts for COMFORT-AIRE  
EKTC09G135A](#)



[Find Your COMFORT-AIRE Air Conditioner Parts - Select From 599 Models](#)

----- Manual continues below -----

---

*Comfort-Aire*®

Century®

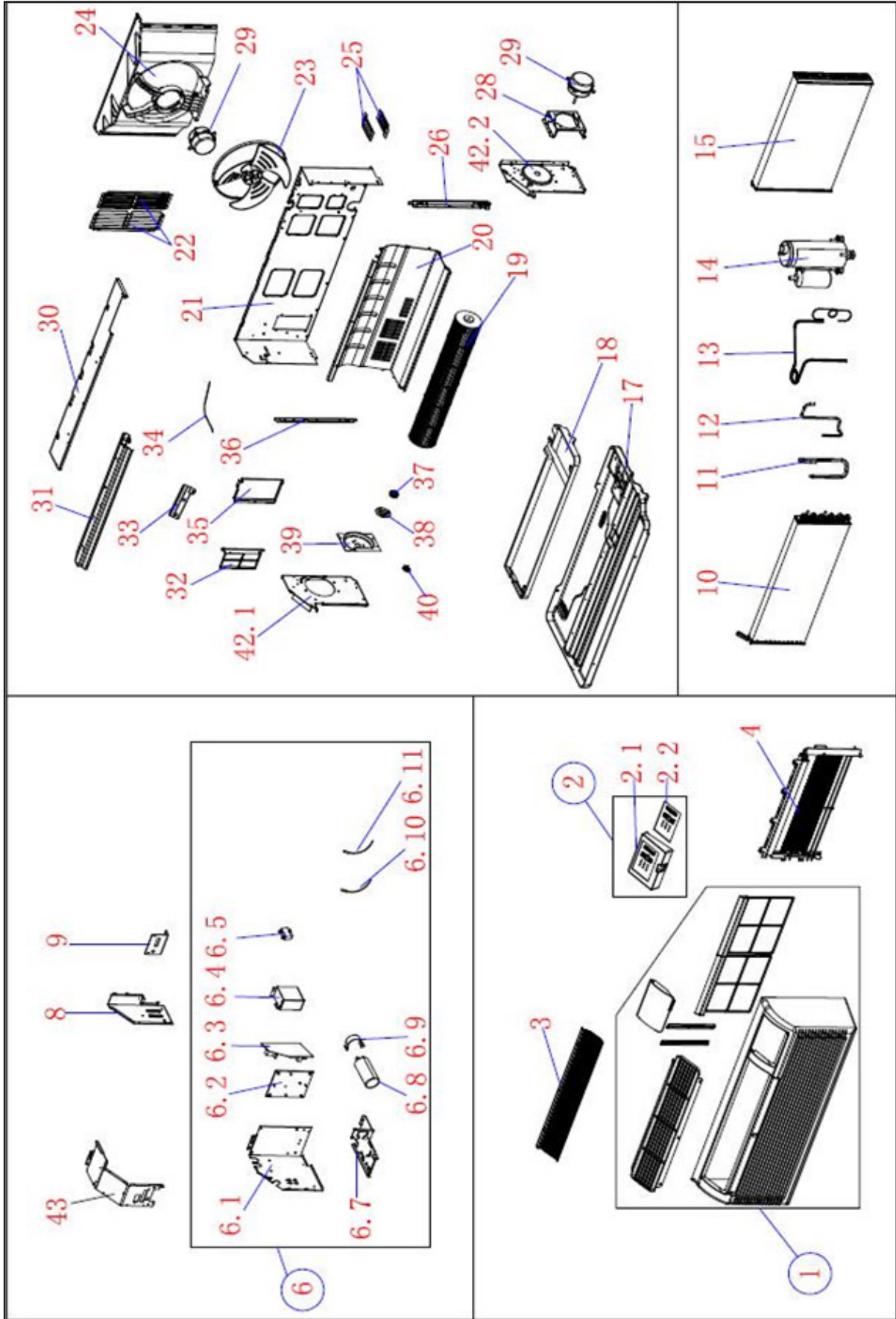
**MARS**®  
Delivering Confidence

---

REPLACEMENT PARTS LIST

**Packaged Terminal  
Air Conditioner  
EKTC09G135A**

# EXPLODED VIEW



## REPLACEMENT PARTS

Location	Part Name	Quantity	Part No.
1	Panel frame assembly	1	201121890174
2	Display box assembly	1	2033218A0294
2.1	Control panel	1	201121790313
2.2	Display board assembly	1	201321890072
3	Blower Guard (Rear Net)	1	12220300000533
4	Electric heater	1	202403100888
6	Electronic control box assembly	1	203321490144
6.1	Cover of electronic control box	1	201221790252
6.2	Bracket of main control board I	1	201121790312
6.3	Main control board assembly	1	201321790145
6.4	Transformer	1	202300900727
6.5	Fan motor capacitor	1	202401100353
6.5	Fan motor capacitor	1	202401100004
6.7	Electronic control box	1	201221790249
6.8	Capacitor of compressor	1	202401000410
6.9	Capacitor clip	1	201200100026
6.11	Pipe temperature sensor assembly	1	202301300469
8	Cover of electronic control box	1	201221790250
10	Evaporator coil assembly	1	201521490085
11	Suction pipe assembly	1	201621490369
12	Discharge pipe	1	201621490371
13	Capillary assembly	1	201621490365
14	Compressor	1	201400603022
15	Condenser assembly	1	201521490083
16	Discharge temperature sensor assembly	2	202301310068
17	Chassis assembly	1	201221790260
18	Water collector	1	202221790021
19	Cross flow fan	1	201100200047
20	Volute shell	1	201221890085
21	Front separating board	1	201221790246
22	Horizontal louver	2	202921790001
23	Axial flow fan	1	201100300049
24	Rear separating	1	201121790307
25	Linker for front separating board	2	201221790236
26	Fixing board right	1	201221790256
28	Supporter assembly of fan motor	1	201221790245
29	Asynchronous motor	1	202400401220
29	Asynchronous motor	1	202400401221
30	Front cover	1	201221790247
31	Volute shell assembly	1	201221890086
32	Fresh air door filter	1	201121790309
33	Connecting rod of fresh air door	1	201221790239
34	Wire, fresh air door	1	201221790240
35	Fresh air door	1	201221790259
36	Fixing board, left	1	201221790255
37	Bearing bracket	1	202732390001
38	Cover of Bearing bracket	1	201221790244
39	Wind baffle board	1	201221790243
40	Hook of Panel	2	201221790248
42	Supporter of air passage	1	201221890085
42.1	Supporter of air passage	1	201221790241
42.2	Supporter of air passage	1	201221790242
43	Cover of electronic control box	1	201221790254

---

Due to ongoing product improvements, specifications and dimensions are subject to change and correction without notice or incurring obligations. Determining the application and suitability for use of any product is the responsibility of the installer. Additionally, the installer is responsible for verifying dimensional data on the actual product prior to beginning any installation preparations.

Incentive and rebate programs have precise requirements as to product performance and certification. All products meet applicable regulations in effect on date of manufacture; however, certifications are not necessarily granted for the life of a product. Therefore, it is the responsibility of the applicant to determine whether a specific model qualifies for these incentive/rebate programs.

*Comfort-Aire*®  **Century**®

1900 Wellworth Ave., Jackson, MI 49203 • Ph. 517-787-2100 • [www.marsdelivers.com](http://www.marsdelivers.com)

