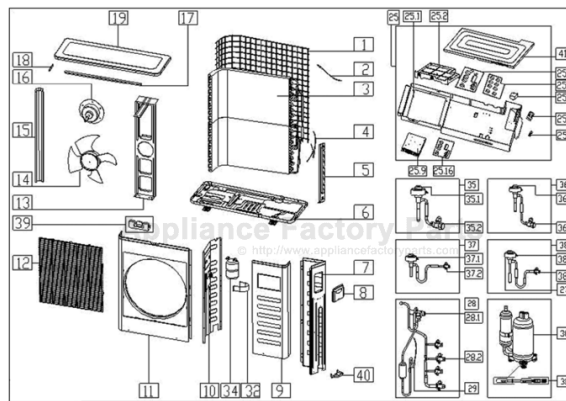


This Owner's Manual is provided and hosted by [Appliance Factory Parts](http://ApplianceFactoryParts.com).



COMFORT-AIRE A-VMH36QC-1 Owner's Manual

[Shop genuine replacement parts for COMFORT-AIRE
A-VMH36QC-1](#)



[Find Your COMFORT-AIRE HVAC Parts - Select From 1486 Models](#)

----- Manual continues below -----

HEAT CONTROLLER, INC.

REPLACEMENT PARTS MANUAL

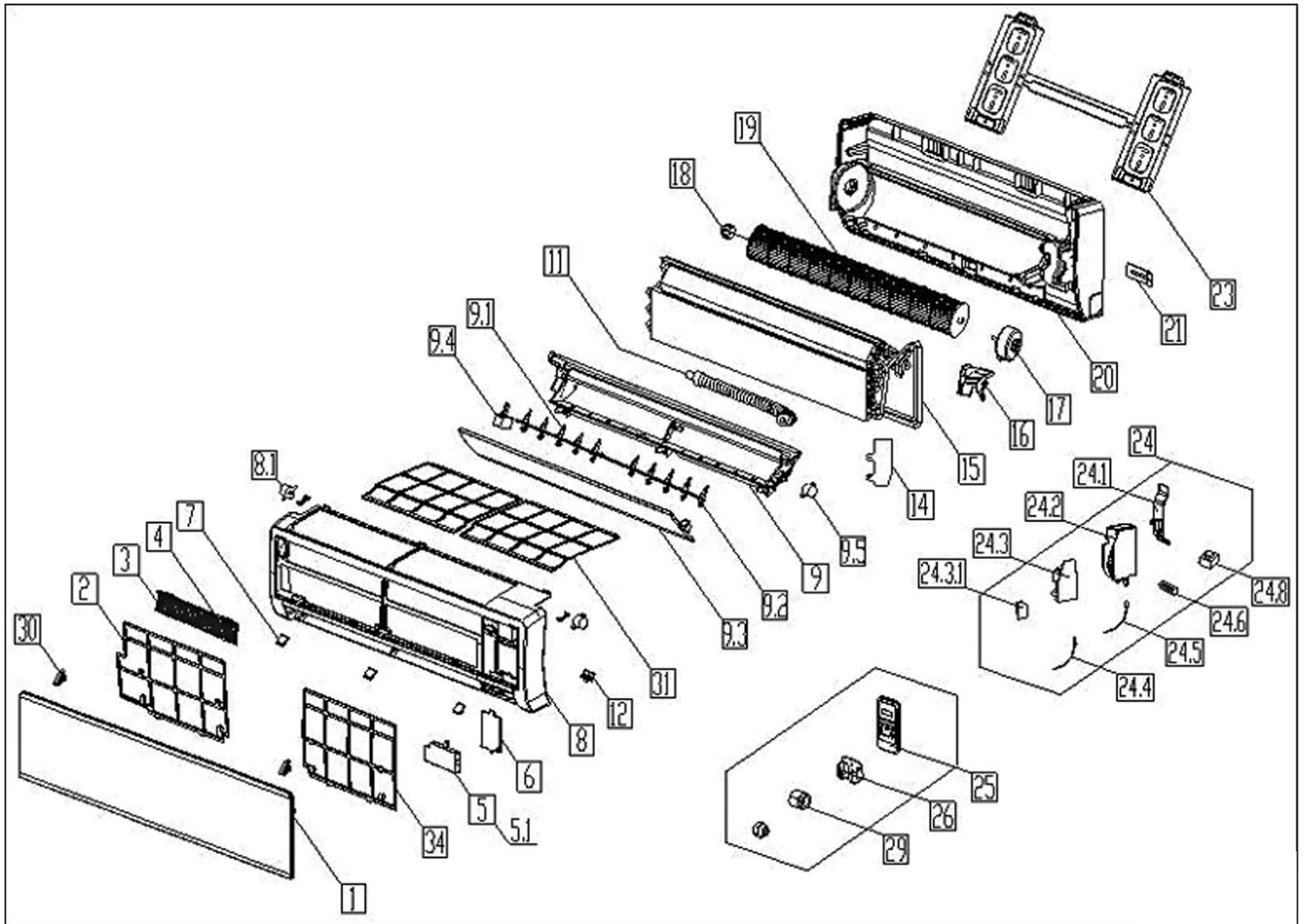
VMH 09/12/18/27/36

Version C

InverterFlex

Ductless Mini-Split Heat Pump

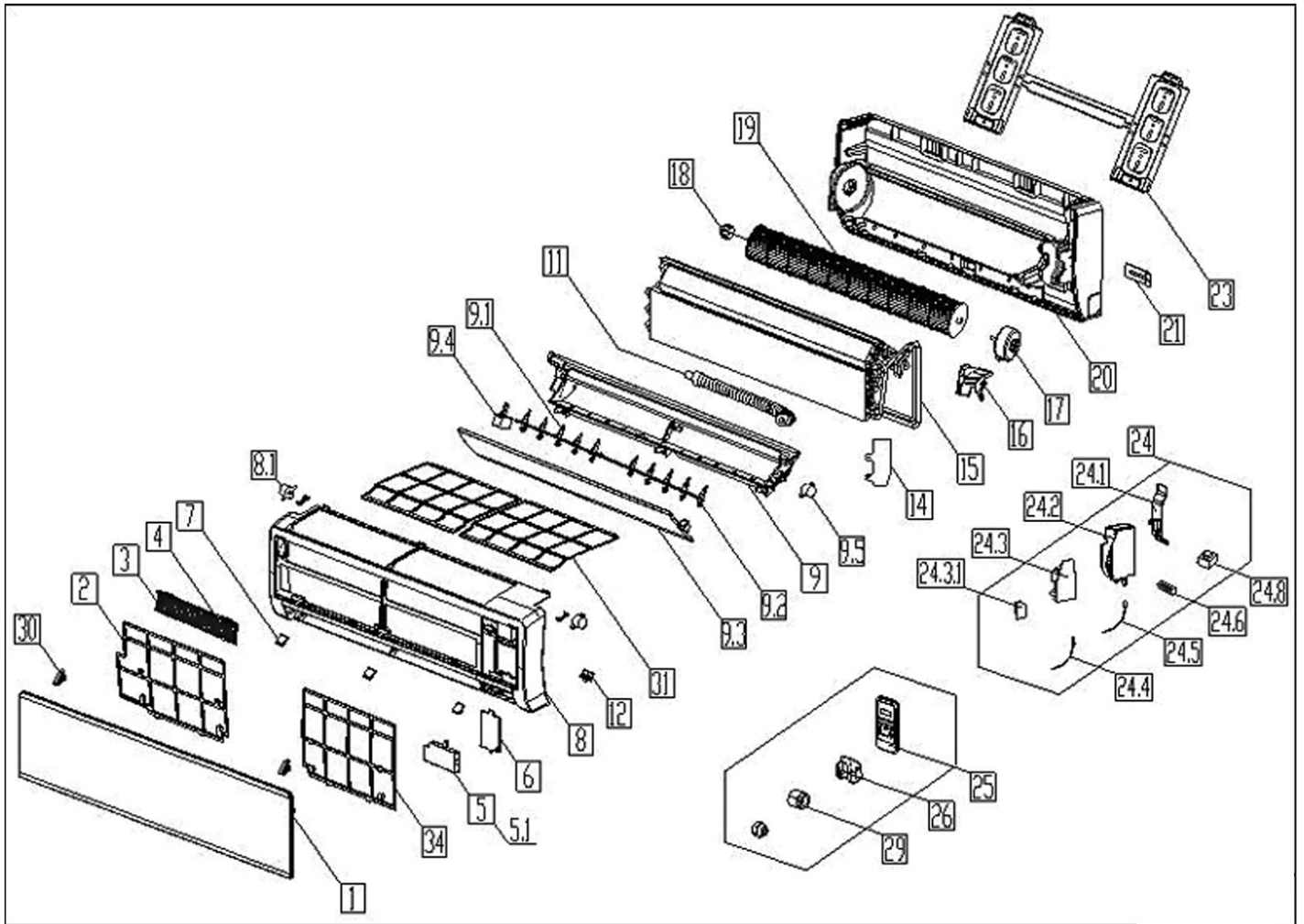
B-VMH09FC-1 Indoor Unit Exploded View



B-VMH09FC-1 Indoor Unit Parts List

LOCATION	PART DESCRIPTION	QUANTITY	PART NO.
1	Front panel assy	1	201132390011
2	Air filter(left)(silver ion)	1	201132300002
3	Air cleaner	1	201130100212
4	Air cleaner holder	1	201130100217
5	Display box assy	1	203332590183
5.1	Display board assy	1	201332590136
6	Window cover for repairing	1	201132500012
7	Screw cap	3	201132300037
8	Panel frame assy	1	201132300026
8.1	Louver motor	1	202400200105
9	Air out frame assy	1	201132390014
9.1	Vertical grille	10	201132590031
9.2	Louver holder	1	201132500032
9.2	Louver holder	1	201132500031
9.4	negative ion engender	1	202403000006
9.5	Louver motor	1	202400200017
11	Drain hose	1	201101020014
12	Baffle of temperature induction	1	201130490002
14	Breakwater	1	201132500002
15	Evaporator,assy	1	201532390005
16	Motor cover	1	201132500017
17	Motor	1	202400300137
18	Bearing holder	1	202730100201
19	Cross flow fan	1	201100200100
20	Chassis	1	201132300000
21	Connecting pipe clamp	1	201232500001
23	Installation plate	1	201232590025
24	Electronic control box,indoor unit	1	203352090128
24.1	E-Parts box's cover	1	201132500798
24.2	E-Parts box	1	201132500022
24.3	Main control board	1	201332390781
24.3.1	Wires capacitor	1	202401200001
24.4	Indoor temp sensor	1	202433190000
24.5	Evaporator temp sensor	1	202301300080
24.6	Wire join	1	202301400064
24.8	Transformer	1	202300900097
25	Remote Controller	1	203355091200
26	Holder,Remote Controller	1	201155000024
27	Seal	1	202720090001
29	Copper nut	1	201600320001
29	Copper nut	1	201600320000
30	Hinge Slide groove	2	201132300005
31	Airinlet grille Assebmlly	1	201132300027
32	Horizontal louver	1	201132300033
34	Air filter(right)(silver ion)	1	201132300001

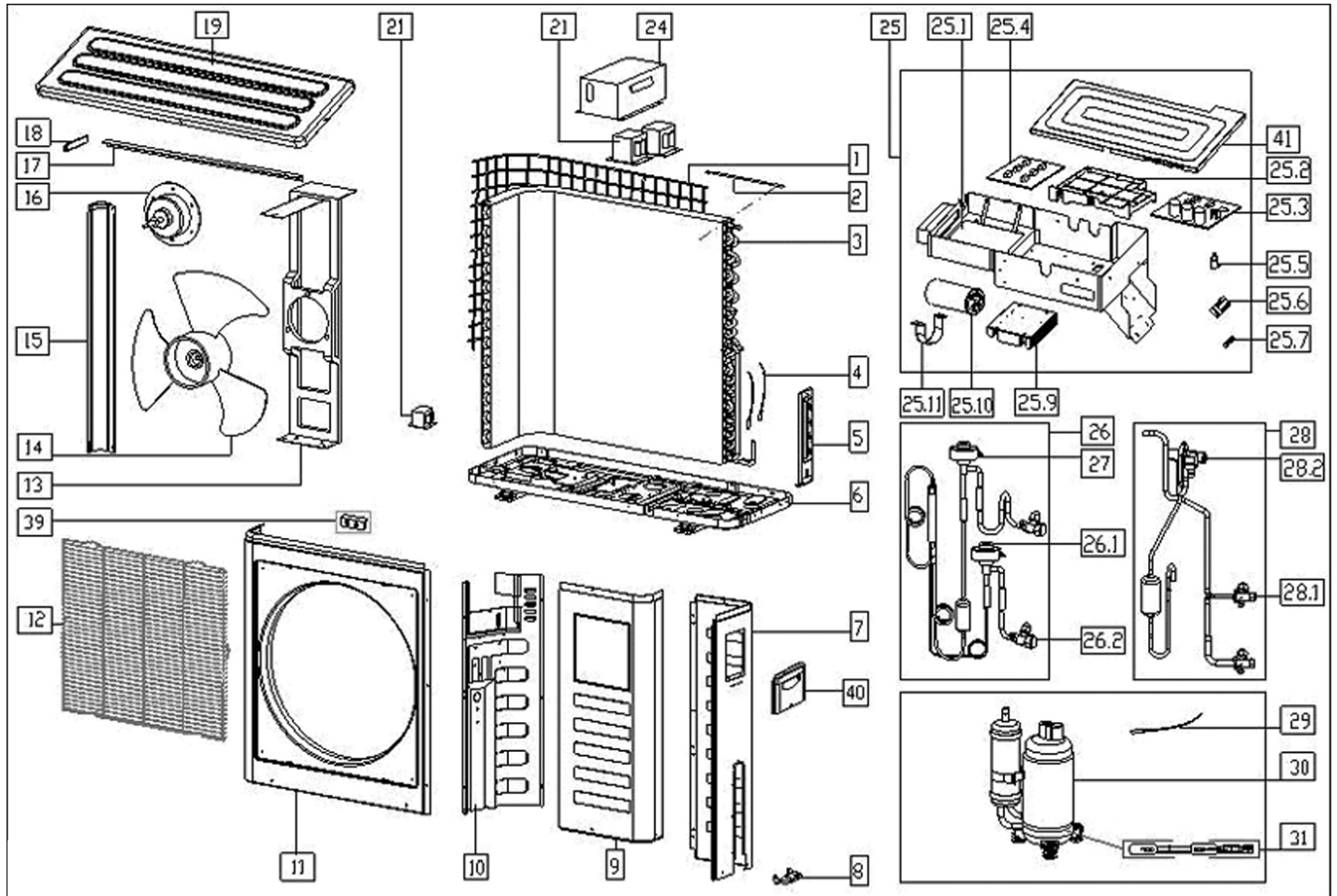
B-VMH12FC-1 Indoor Unit Exploded View



B-VMH12FC-1 Indoor Unit Parts List

LOCATION	PART DESCRIPTION	QUANTITY	PART NO.
1	Front panel assy	1	201132590008
2	Air filter(left)(silver ion)	1	201132500013
3	Air cleaner	1	201130100212
4	Air cleaner holder	1	201130100217
5	Display box assy	1	203332590183
5.1	Display board assy	1	201332590136
6	Window cover for repairing	1	201132500012
7	Screw cap	3	201132500055
8	Panel frame assy	1	201132500052
8.1	Louver motor	1	202400200105
9	Air out frame assy	1	201132590023
9.1	Vertical grille	10	201132590031
9.2	Louver holder	1	201132500032
9.2	Louver holder	1	201132500031
9.3	Horizontal louver	1	201132500060
9.4	negative ion engender	1	202403000006
9.5	Louver motor	1	202400200017
11	Drain hose	1	201130000011
12	Baffle of temperature induction	1	201130490002
14	Breakwater	1	201132500002
15	Evaporator,assy	1	201532590004
16	Motor cover	1	201132500017
17	Motor	1	202400300137
18	Bearing holder	1	202730100201
19	Cross flow fan	1	201100200106
20	Chassis	1	201132500007
21	Connecting pipe clamp	1	201232500001
23	Installation plate	1	201232590025
24	Electronic control box,indoor unit	1	203352090129
24.1	E-Parts box's cover	1	201132500798
24.2	E-Parts box	1	201132500022
24.3	Main control board	1	201332590505
24.3.1	Wires capacitor	1	202401200001
24.4	Indoor temp sensor	1	202433190000
24.5	Evaporator temp sensor	1	202301300080
24.6	Wire join	1	202301400064
24.8	Transformer	1	202300900097
25	Remote Controller	1	203355091200
26	Holder,Remote Controller	1	201155000024
29	Copper nut	1	201600320002
29	Copper nut	1	201600320000
30	Hinge Slide groove	2	201132500010
31	Airinlet grille Assebmlly	1	201132500054
34	Air filter(right)(silver ion)	1	201132500011

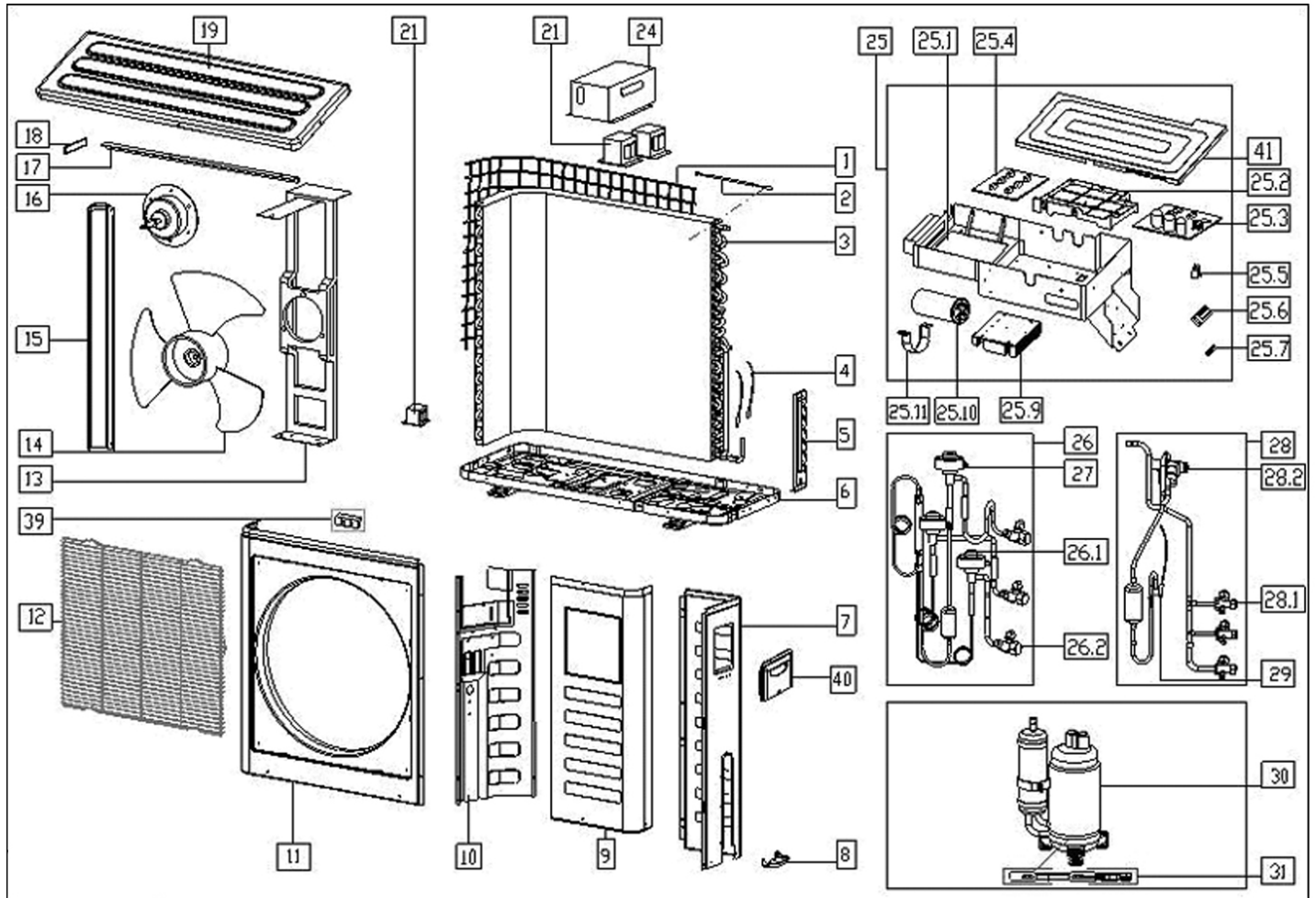
A-VMH18DC-1 Outdoor Unit Exploded View



A-VMH18DC-1 Outdoor Unit Parts List

LOCATION	PART DESCRIPTION	QUANTITY	PART NO.
1	Rear grille	1	2011481G0001
2	Indoor temp sensor	1	202301300196
3	Condenser coil assembly	1	201557090037
4	Pipe Temperature Sensor	1	202440500004
4	Pipe Temperature Sensor	1	202301300423
5	Valve plate	1	201257190060
6	Base pan assembly	1	201257090030
7	Right clapboard	1	201257190056
8	Valve cover	1	201135600000
9	Front right clapboard assembly	1	201245500804
10	Partition plate assembly	1	201257190026
11	Front panel	1	20124810G002
12	Front grille	1	201235390011
13	Motor mounting bracket assembly	1	2012481G0039
14	Axial flow fan blade assembly	1	201145500002
15	Left support	1	201248100070
16	Fan motor	1	202400400955
17	Supporter of back	1	201248100076
18	Handle (small)	1	201150290006
19	Top cover assembly	1	20125719G005
21	Reactor	1	202301000818
21	Reactor	1	202301000832
21	Reactor	1	202301040055
24	Cover for reactance filter	1	201237790013
25	Electrical box assembly	1	203357090028
25.1	E-Parts box	1	201257190050
25.2	Main control board holder	1	201157390005
25.3	Main control board	1	201357090035
25.4	Inverter control board subassembly	1	201357090032
25.5	Motor capacitor	1	202401100353
25.6	Terminal Block	2	202301450156
25.7	Wire Clip	1	201157390004
25.9	Radiator	1	202301990007
25.10	Capacitor,Compressor	1	202401000508
25.11	Clip, capacitor	1	201200100026
26	Liquid valve assembly	1	201657090307
26.1	Electronic expansion valve	2	201601300106
26.2	Liquid pipe valve	2	201600740100
27	Electronic expansion valve Solenoid	2	201601300107
28	4-way valve subassembly	1	201657090312
28.1	Gas valve	2	201600720091
28.2	4-way valve	1	201600690011
29	Discharge temp sensor Ass'y	1	202448200000
30	Compressor	1	201400600540
31	Crank case heater	1	202403100500
39	Clamp for front grille	8	201135110801
40	Handle (large)	1	201257190054
41	Electrical box cover	1	201257090037

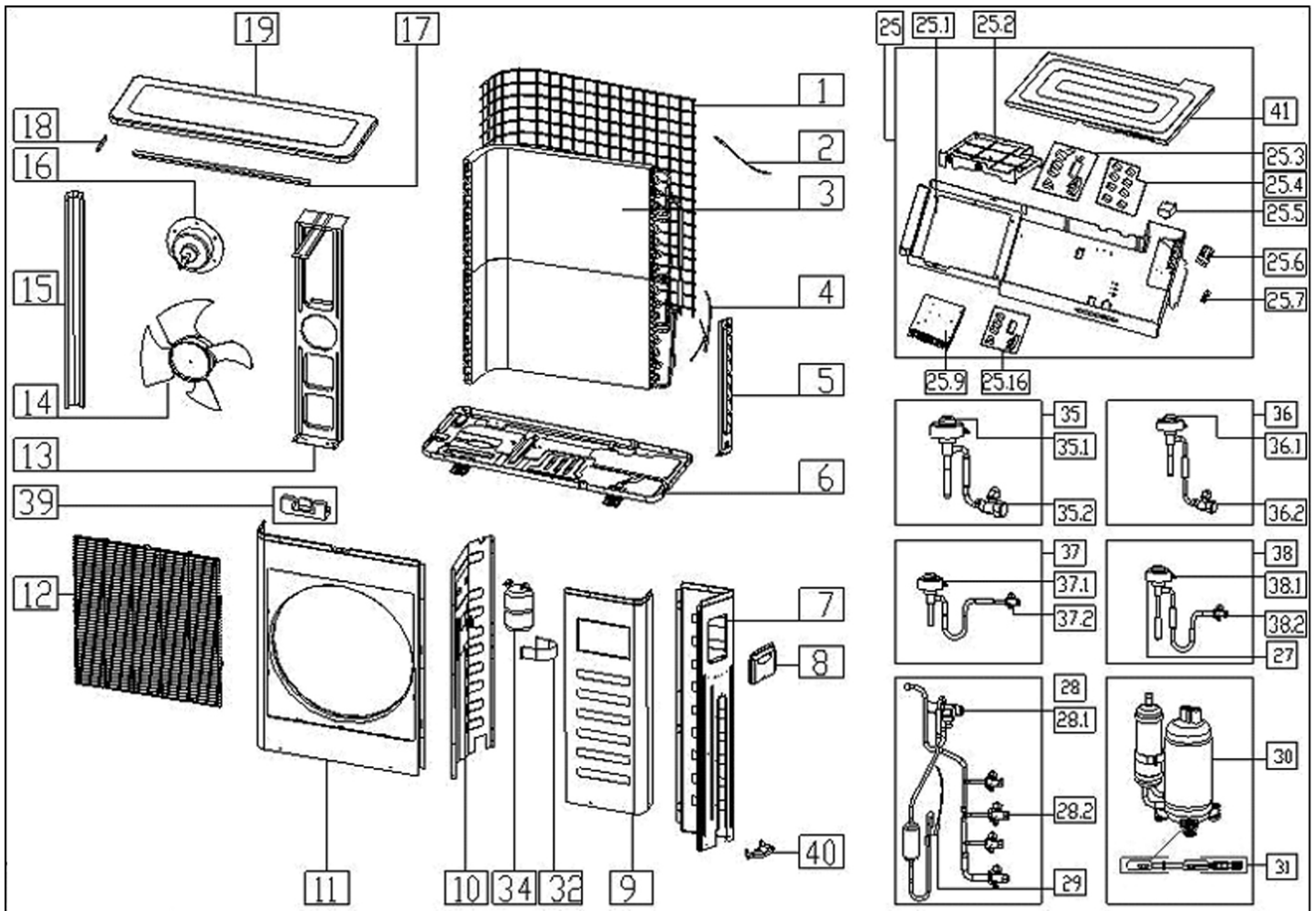
A-VMH27TC-1 Outdoor Unit Exploded View



A-VMH27TC-1 Outdoor Unit Parts List

LOCATION	PART DESCRIPTION	QUANTITY	PART NO.
1	Rear grille	1	2011481G0001
2	Indoor temp sensor	1	202301300196
3	Condenser coil assembly	1	201557190030
4	Pipe temperature sensor	1	202440500004
4	Pipe temperature sensor	1	202301300422
5	Valve plate	1	201257190060
6	Base pan assembly	1	201257090030
7	Right clapboard	1	201257190056
8	Valve cover	1	201135600000
9	Front right clapboard assembly	1	201245500804
10	Partition plate assembly	1	201257190026
11	Front panel	1	20124810G002
12	Front grille	1	201235390011
13	Motor mounting bracket assembly	1	2012481G0039
14	Axial flow fan blade assembly	1	201145500002
15	Left support	1	201248100070
16	Fan motor	1	202400400955
17	Supporter of back	1	201248100076
18	Handle (small)	1	201150290006
19	Top cover assembly	1	20125719G005
21	Reactor	1	202301000818
21	Reactor	1	202301000832
21	Reactor	1	202301000814
24	Cover for reactance filter	1	201237790013
25	Electrical box assembly	1	203357190029
25.1	E-Parts box	1	201257190050
25.2	Main control board holder	1	201157390005
25.3	Main control board	1	201357190030
25.4	Inverter control board subassembly	1	201357190027
25.5	Motor capacitor	1	202401100353
25.6	Terminal block	2	202301450156
25.7	Wire Clip	1	201157390004
25.9	Radiator	1	202301990006
25.10	Capacitor, compressor	1	202401000612
25.11	Clip, capacitor	1	201200100026
26	Liquid valve assembly	1	201657190227
26.1	Electronic expansion valve	3	201601300106
26.2	Liquid pipe valve	3	201600740100
27	Electronic expansion valve solenoid	3	201601300107
28	4-way valve subassembly	1	201657190224
28.1	Gas valve	3	201600720091
28.2	4-way valve	1	201600690011
29	Discharge temp sensor assembly	1	202448200000
30	Compressor	1	201400600530
31	Crank case heater	1	202403100500
39	Clamp for front grille	8	201135110801
40	Handle (large)	1	201257190054
41	Electrical box cover	1	201257090037

A-VMH36QC-1 Outdoor Unit Exploded View



A-VMH36QC-1 Outdoor Unit Parts List

LOCATION	PART DESCRIPTION	QUANTITY	PART NO.
1	Rear grille	1	2011487G0001
2	Indoor temp sensor	1	202301300196
3	Condenser coil assembly	1	201557290001
4	Pipe Temperature Sensor	1	202301300111
4	Pipe Temperature Sensor	1	202301300421
5	Valve plate	1	201257290011
6	Base pan assembly	1	201257290012
7	Right clapboard	1	201257290005
8	Valve cover	1	201135600000
9	Front right clapboard assembly	1	201245420606
10	Partition plate assembly	1	201257290010
11	Front panel	1	201248700144
12	Front grille	1	201245420610
13	Motor mounting bracket assembly	1	201275590020
14	Axial flow fan blade assembly	1	201195000001
15	Left support	1	201245420623
16	Fan motor	1	202400400956
17	Supporter of back	1	201245420620
18	Small Handle	1	201150290006
19	Top cover assembly	1	201257290009
25	Electrical box assembly	1	203357190030
25.1	E-Parts box	1	201257190055
25.2	Main control board holder	1	201157390005
25.3	Main control board	1	201357190032
25.4	Inverter control board subassembly	1	201357190031
25.5	Motor capacitor	1	202401190046
25.6	Terminal Block	1	202301450157
25.6	Terminal Block	1	202301450156
25.7	Wire Clip	1	201157390004
25.7	Wire Clip	1	201135000004
25.9	Radiator	1	202301900096
25.16	PFC module assembly	1	201319900064
27	Electronic expansion valve Solenoid	4	201601300107
28	4-way valve subassembly	1	201657290028
28.1	Gas valve	4	201600720091
28.2	4-way valve	1	201600600124
29	Discharge temp sensor assembly	1	202448200000
30	Compressor	1	201401550051
31	Crank case heater	1	202301940004
32	Fixture, Segregator	1	201245000901

Continued on next page

A-VMH36QC-1 Outdoor Unit Parts List continued

LOCATION	PART DESCRIPTION	QUANTITY	PART NO.
34	Accumulator cylinder	1	201601000074
35	Liquid valve subassembly A	1	201657290018
35.1	Electronic expansion valve	1	201601300106
35.2	Liquid valve	1	201600740091
36	Liquid valve subassembly B	1	201657290020
36.1	Electronic expansion valve	1	201601300106
36.2	Liquid valve	1	201600740091
37	Liquid valve subassembly C	1	201657290021
37.1	Electronic expansion valve	1	201601300106
37.2	Liquid valve	1	201600740091
38	Liquid valve subassembly D	1	201657290023
38.1	Electronic expansion valve	1	201601300106
38.2	Liquid valve	1	201600740091
39	Clamp for front grille	10	201135110801
40	Handle (large)	1	201257190054
41	Electrical box cover	1	201257190052

Design, material, performance data and components
subject to change without notice.

HEAT CONTROLLER, INC.

1900 Wellworth Ave., Jackson, MI 49203 ♦ Ph. 517-787-2100 ♦ Fax 517-787-9341

THE QUALITY LEADER IN CONDITIONING AIR

www.heatcontroller.com