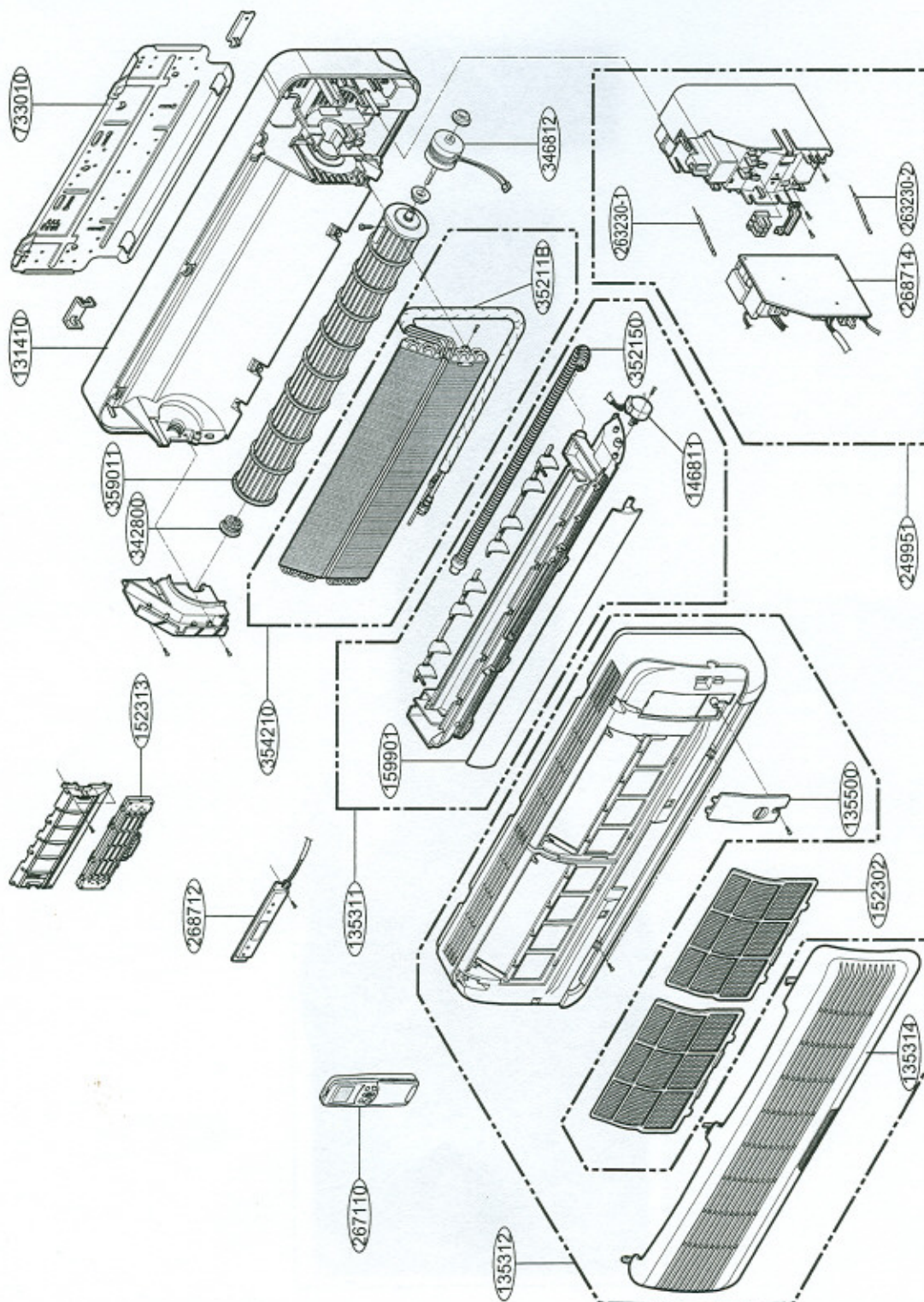


Exploded View and Replacement Parts List

1. Indoor Unit

HMC36AT , HMH36AT

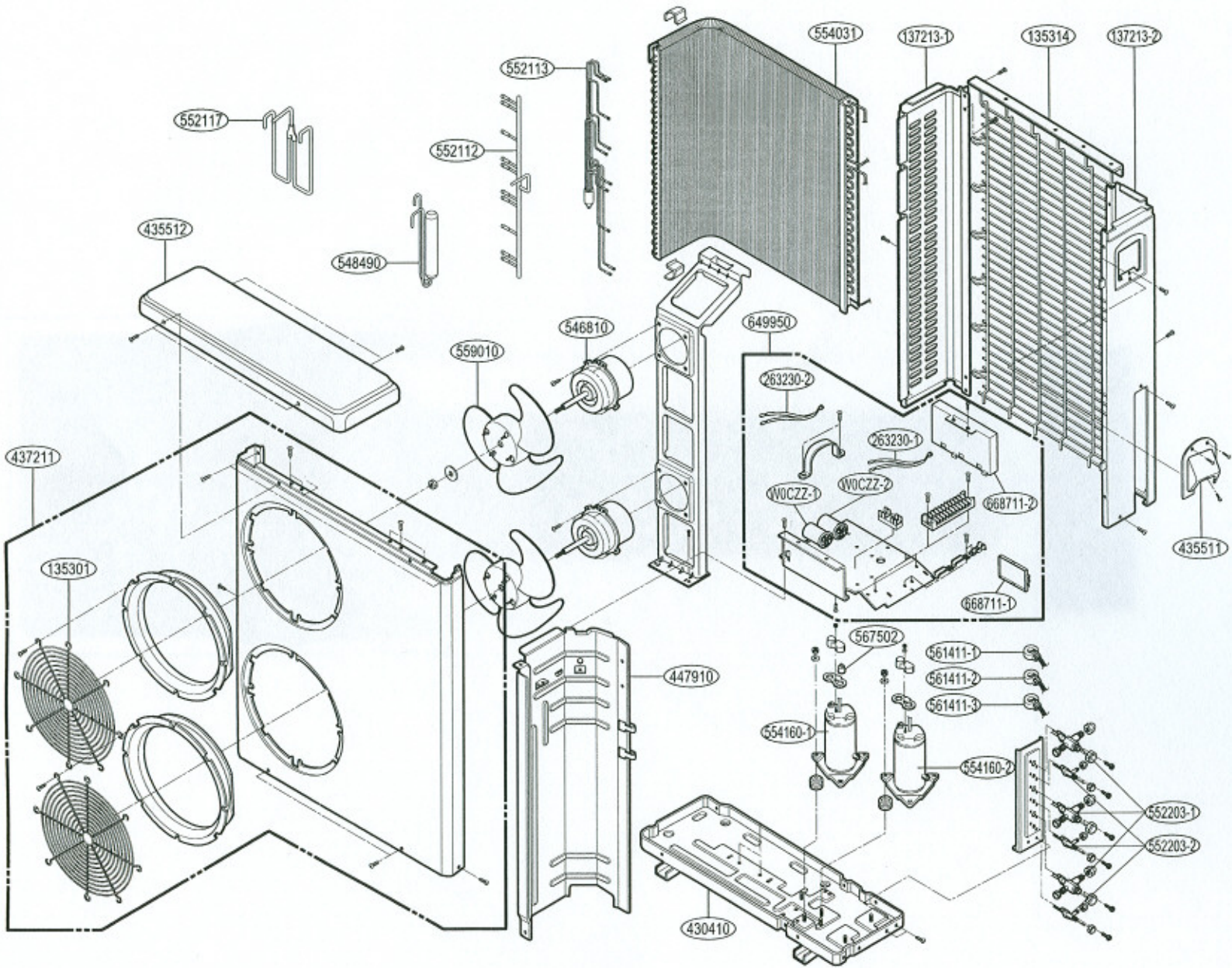


Parts List - Indoor Unit

LOCATION No.	DESCRIPTION	PART No.		SVC CODE
		HMC36AT	HMH36AT	
131410	CHASSIS ASSEMBLY	3141A20003D	3141A20003D	R
135311	GRILLE ASSEMBLY,DISCHARGE(INDOOR)	3531A10023X	3531A10023X	R
135312	GRILLE ASSEMBLY, FRONT	3531A10098B	3531A10098A	R
135500	COVER	3550A10107A	3550A10107A	R
146811	MOTOR ASSEMBLY, STEP	4681AR2727H	4681AR2727H	R
152302	FILTER(MECH), A/C	5230A20004A	5230A20004A	R
152313	DEODORIZER	-	-	Only in CND/Not in RMC
159901	VANE,HORIZONTAL	5990A30007A	5990A30007A	R
249951	CONTROL BOX ASSEMBLY, INDOOR	4995A00003A	4995A00003A	R
263230-1	THERMISTOR ASSEMBLY	6323A20003A	6323A20003A	R
263230-2	THERMISTOR ASSEMBLY	6323A20024A	6323A20024A	R
267110	REMOTE CONTROLLER ASSEMBLY	6711A20025N	6711A20026U	R
268712	PWB(PCB) ASSEMBLY, DISPLAY	6871A30009Q	6871A30009Q	R
268714	PWB(PCB) ASSEMBLY, MAIN	6871A20502B	6871A20502A	R
342800	BEARING	3H02821B	3H02821B	R
346812	MOTOR ASSEMBLY, DC	4681AR2295H	4681AR2295H	R
35211B	TUBE ASSEMBLY, TUBING	2H02449J	2H02449J	R
352150	HOSE ASSEMBLY, DRAIN	5251AR2575H	5251AR2575H	R
354210	EVAPORATOR ASSEMBLY, FIRST	5421A20032D	5421A20032D	R
359011	FAN ASSEMBLY, CROSS FLOW	5901AR6141C	5901AR6141C	R
733010	PLATE ASSEMBLY, INSTALL	1H00843A	1H00843A	R
135314	GRILLE ASSY,INLET SUB	3531A10054R	3531A10054Q	R

2. Outdoor Unit

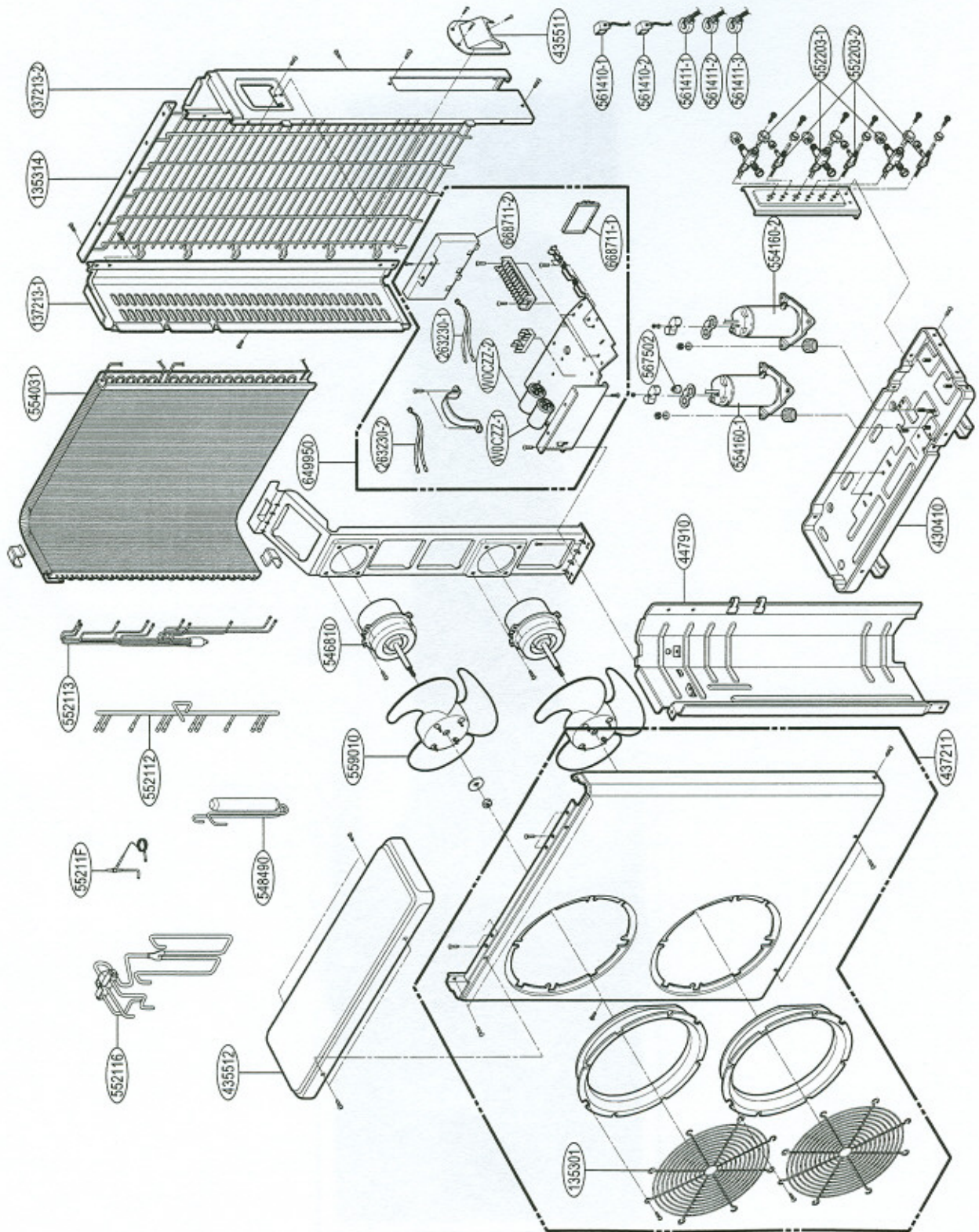
HMC36AT



Parts List - Outdoor Unit(HMC36AT)

LOCATION No.	DESCRIPTION	PART No.	SVC CODE
		HMC36AT	
135301	GRILLE,DISCHARGE	3530A20006B	R
135314	GRILLE,REAR	3530A10176B	R
263230-1	THERMISTOR ASSEMBLY	6323A20028A	R
263230-2	THERMISTOR ASSEMBLY	6323A20026A	R
430410	BASE ASSEMBLY, OUTDOOR	3041AP7177D	R
435511	COVER ASSEMBLY,CONTROL(OUTDOOR)	3551A10044B	R
435512	COVER ASSEMBLY,TOP(OUTDOOR)	3H03266H	R
437211	PANEL ASSEMBLY,FRONT(OUTDOOR)	3721A10109A	R
447910	BARRIER ASSEMBLY,OUTDOOR	4791A10019B	R
546810	MOTOR ASSEMBLY,OUTDOOR	4681AR1392X	R
548490	ACCUMULATOR ASSEMBLY(MECH)	5211A21233B	R
552112	TUBE ASSEMBLY,CONDENSER IN	5211A11010C	R
552113	TUBE ASSEMBLY, CONDENSER OUT	5211A12001C	R
552116	TUBE ASSEMBLY, REVERSING	-	R
552117	TUBE ASSEMBLY, SUCTION(OUTDOOR)	5211A10446C	R
554031	CONDENSER ASSEMBLY, BENT	5403A20168C	R
559010	FAN ASSEMBLY, PROPELLER	5901A10033A	R
561410-1	COIL ASSEMBLY, REVERSING VALVE	-	R
561410-2	COIL ASSEMBLY, SOLENOID	-	R
649950	CONTROL BOX ASSEMBLY,OUTDOOR	4995A00002B	R
668711-1	PWB(PCB) ASSEMBLY,MAIN(AC)	6871A20500B	R
668711-2	PWB(PCB) ASSEMBLY,MAIN(OUTDOOR)	6871A20479B	R
137213-1	PANEL ASSEMBLY, SIDE	3721A10110A	R
137213-2	PANEL ASSEMBLY, SIDE	3721A10111C	R
552203-1	VALVE,SERVICE	2H01890U	R
552203-2	VALVE,SERVICE	2H02479R	R
554160-1	COMPRESSOR	2520UHGK2EA	R
554160-2	COMPRESSOR	2520UMMK2BA	R
561411-1	COIL ASSEMBLY,EXPANSION	6141A20018D	R
561411-2	COIL ASSEMBLY,EXPANSION	6141A20018E	R
561411-3	COIL ASSEMBLY,EXPANSION	6141A20018F	R
W0CZZ-1	CAPACITOR,DRAWING	0CZZA20007Q	R
W0CZZ-2	CAPACITOR,DRAWING	2H01451S	R
567502	O.L.P	2H00599W	R

HMC36AT



Parts List - Outdoor Unit(HMH36AT)

LOCATION No.	DESCRIPTION	PART No.	SVC CODE
		HMH36AT	
135301	GRILLE,DISCHARGE	3530A20006B	R
135314	GRILLE,REAR	3530A10176B	R
263230-1	THERMISTOR ASSEMBLY	6323A20028A	R
263230-2	THERMISTOR ASSEMBLY	6323A20026A	R
430410	BASE ASSEMBLY, OUTDOOR	3041AP7177D	R
435511	COVER ASSEMBLY,CONTROL(OUTDOOR)	3551A10044A	R
435512	COVER ASSEMBLY, TOP(OUTDOOR)	3H03266H	R
437211	PANEL ASSEMBLY,FRONT(OUTDOOR)	3721A10109A	R
447910	BARRIER ASSEMBLY,OUTDOOR	4791A10019B	R
546810	MOTOR ASSEMBLY,OUTDOOR	4681AR1392X	R
548490	ACCUMULATOR ASSEMBLY(MECH)	5211A21233A	R
552112	TUBE ASSEMBLY,CONDENSER IN	5211A11010C	R
552113	TUBE ASSEMBLY, CONDENSER OUT	5211A12001C	R
552116	TUBE ASSEMBLY, REVERSING	5211A10448A	R
552117	TUBE ASSEMBLY, SUCTION(OUTDOOR)	-	R
554031	CONDENSER ASSEMBLY, BENT	5403A20168A	R
559010	FAN ASSEMBLY, PROPELLER	5901A10033A	R
561410-1	COIL ASSEMBLY, REVERSING VALVE	6141A20021A	R
561410-2	COIL ASSEMBLY, SOLENOID	6141A20022A	R
649950	CONTROL BOX ASSEMBLY,OUTDOOR	4995A00002A	R
668711-1	PWB(PCB) ASSEMBLY,MAIN(AC)	6871A20500B	R
668711-2	PWB(PCB) ASSEMBLY,MAIN(OUTDOOR)	6871A20479A	R
137213-1	PANEL ASSEMBLY, SIDE	3721A10110A	R
137213-2	PANEL ASSEMBLY, SIDE	3721A10111C	R
552203-1	VALVE,SERVICE	2H01890U	R
552203-2	VALVE,SERVICE	2H02479R	R
554160-1	COMPRESSOR	2520UHGK2EA	R
554160-2	COMPRESSOR	2520UMMK2BA	R
561411-1	COIL ASSEMBLY,EXPANSION	6141A20018D	R
561411-2	COIL ASSEMBLY,EXPANSION	6141A20018E	R
561411-3	COIL ASSEMBLY,EXPANSION	6141A20018F	R
W0CZZ-1	CAPACITOR,DRAWING	0CZZA20007Q	R
W0CZZ-2	CAPACITOR,DRAWING	2H01451S	R
567502	O.L.P	2H00599W	R
55211F	TUBE ASSEMBLY, SOLENOIDE	5211A00007A	R