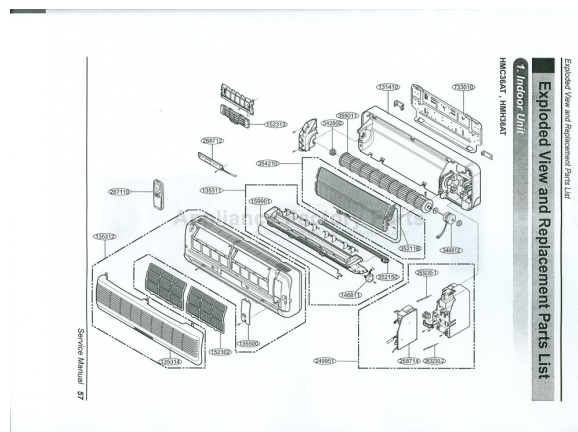


This Owner's Manual is provided and hosted by [Appliance Factory Parts](#).



COMFORT-AIRE HMH36AT Owner's Manual

[Shop genuine replacement parts for COMFORT-AIRE
HMH36AT](#)



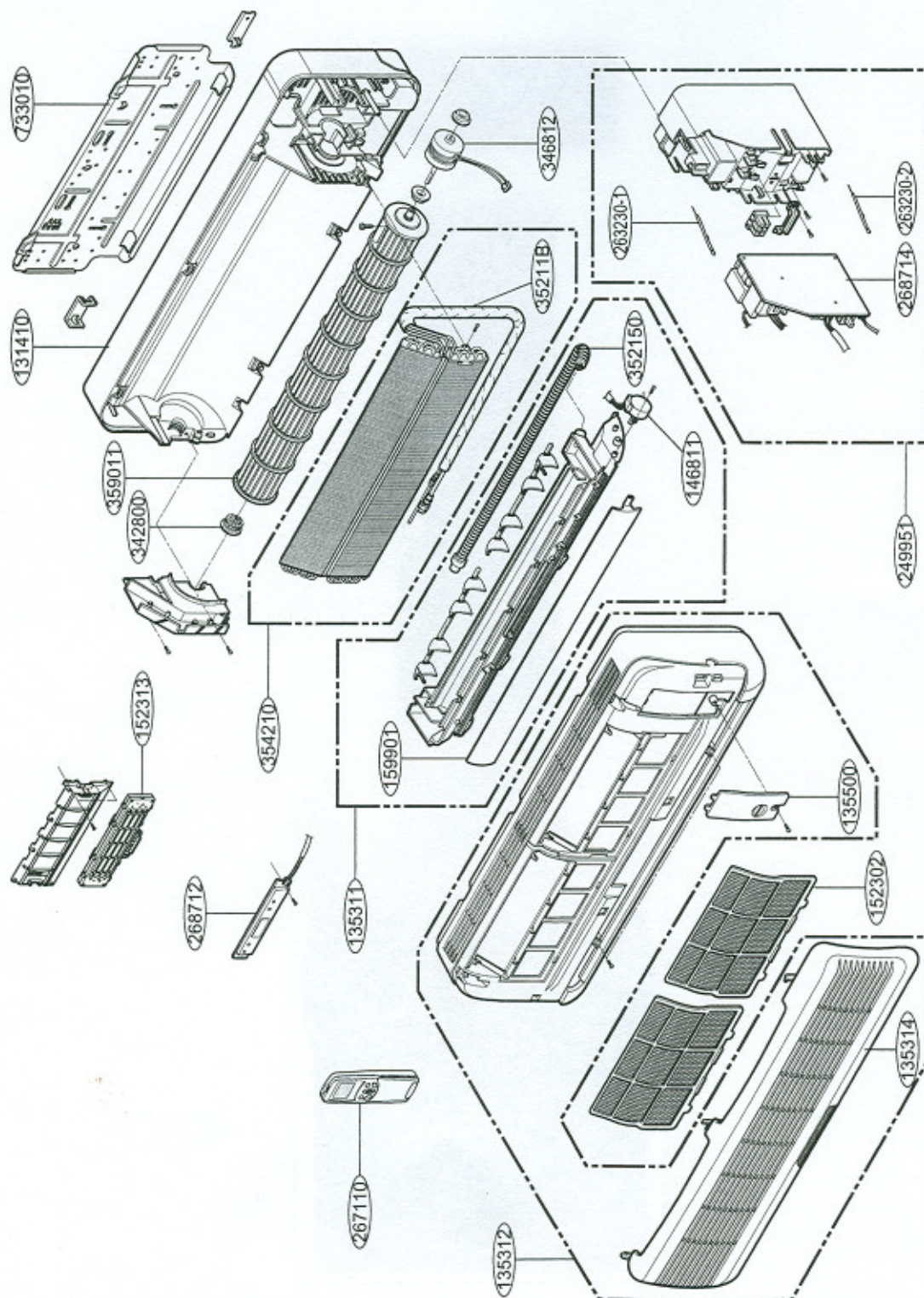
[Find Your COMFORT-AIRE HVAC Parts - Select From 1486 Models](#)

----- Manual continues below -----

Exploded View and Replacement Parts List

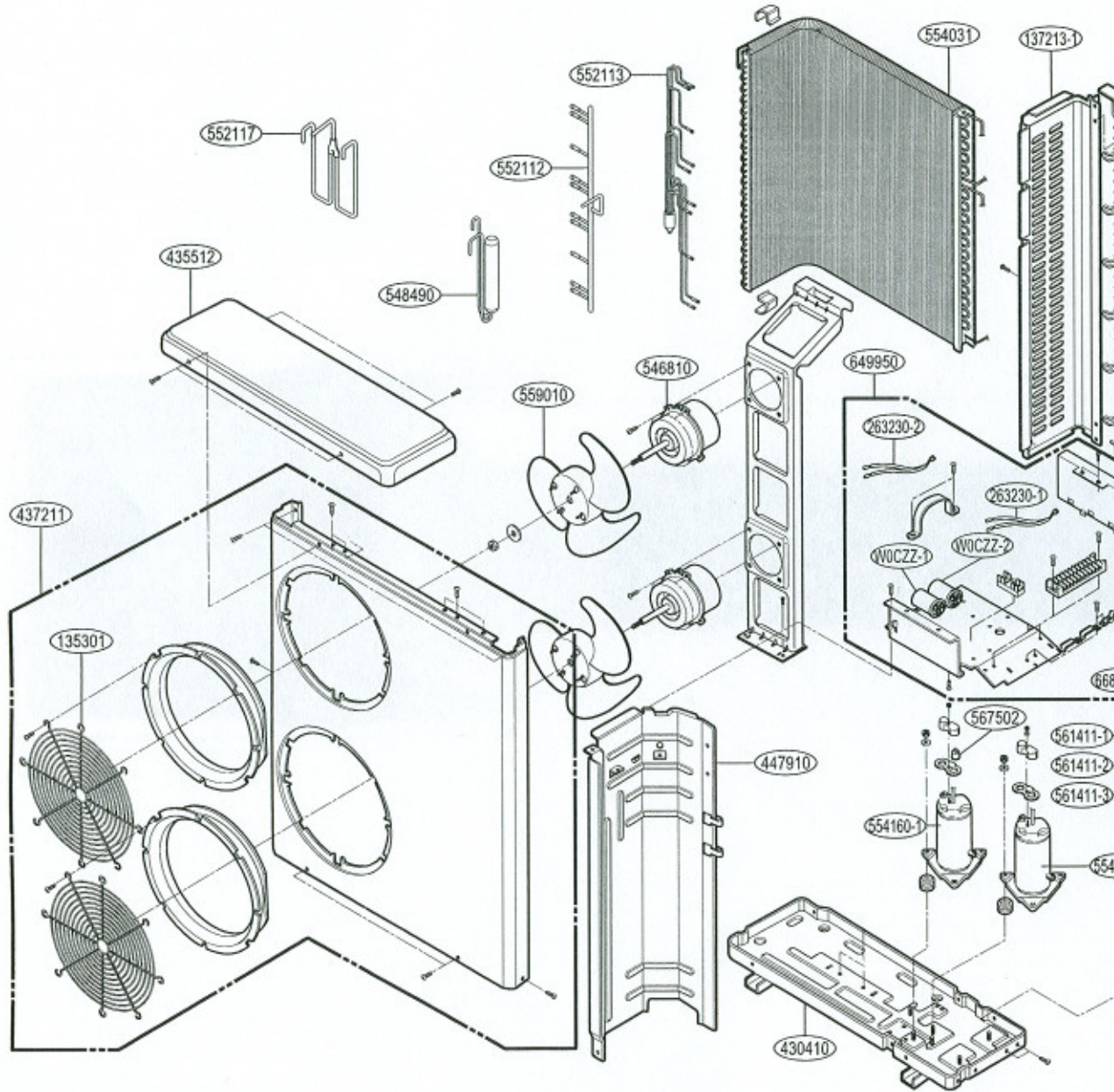
1. Indoor Unit

HMC36AT , HMH36AT



Parts List - Indoor Unit

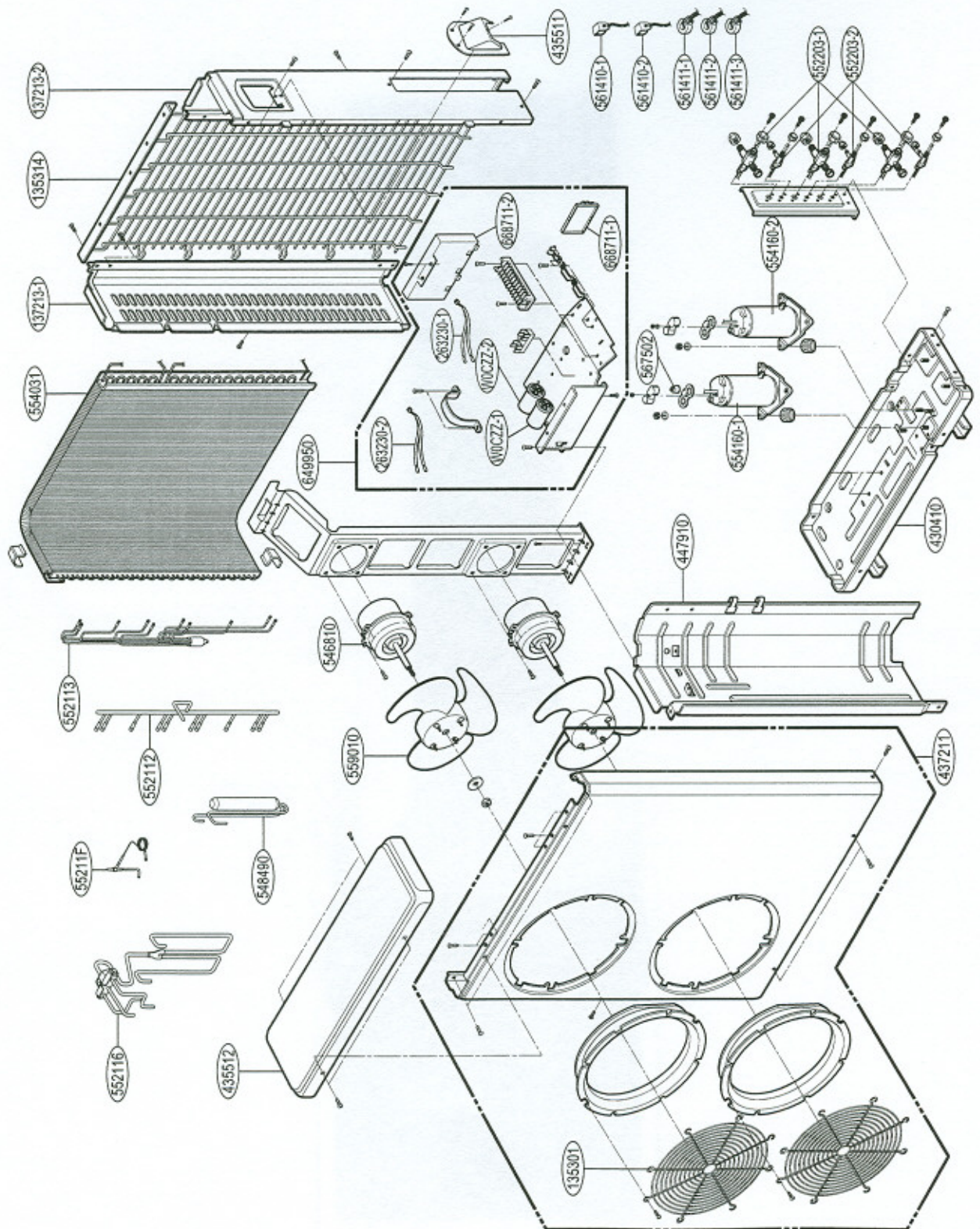
| LOCATION No. | DESCRIPTION | PART No. | | SVC CODE |
|--------------|-----------------------------------|-------------|-------------|------------------------|
| | | HMC36AT | HMH36AT | |
| 131410 | CHASSIS ASSEMBLY | 3141A20003D | 3141A20003D | R |
| 135311 | GRILLE ASSEMBLY,DISCHARGE(INDOOR) | 3531A10023X | 3531A10023X | R |
| 135312 | GRILLE ASSEMBLY, FRONT | 3531A10098B | 3531A10098A | R |
| 135500 | COVER | 3550A10107A | 3550A10107A | R |
| 146811 | MOTOR ASSEMBLY, STEP | 4681AR2727H | 4681AR2727H | R |
| 152302 | FILTER(MECH), A/C | 5230A20004A | 5230A20004A | R |
| 152313 | DEODORIZER | - | - | Only in CND/Not in RMC |
| 159901 | VANE,HORIZONTAL | 5990A30007A | 5990A30007A | R |
| 249951 | CONTROL BOX ASSEMBLY, INDOOR | 4995A00003A | 4995A00003A | R |
| 263230-1 | THERMISTOR ASSEMBLY | 6323A20003A | 6323A20003A | R |
| 263230-2 | THERMISTOR ASSEMBLY | 6323A20024A | 6323A20024A | R |
| 267110 | REMOTE CONTROLLER ASSEMBLY | 6711A20025N | 6711A20026U | R |
| 268712 | PWB(PCB) ASSEMBLY, DISPLAY | 6871A30009Q | 6871A30009Q | R |
| 268714 | PWB(PCB) ASSEMBLY, MAIN | 6871A20502B | 6871A20502A | R |
| 342800 | BEARING | 3H02821B | 3H02821B | R |
| 346812 | MOTOR ASSEMBLY, DC | 4681AR2295H | 4681AR2295H | R |
| 35211B | TUBE ASSEMBLY, TUBING | 2H02449J | 2H02449J | R |
| 352150 | HOSE ASSEMBLY, DRAIN | 5251AR2575H | 5251AR2575H | R |
| 354210 | EVAPORATOR ASSEMBLY, FIRST | 5421A20032D | 5421A20032D | R |
| 359011 | FAN ASSEMBLY, CROSS FLOW | 5901AR6141C | 5901AR6141C | R |
| 733010 | PLATE ASSEMBLY, INSTALL | 1H00843A | 1H00843A | R |
| 135314 | GRILLE ASSY,INLET SUB | 3531A10054R | 3531A10054Q | R |



Parts List - Outdoor Unit(HMC36AT)

| LOCATION No. | DESCRIPTION | PART No. | SVC CODE |
|--------------|---------------------------------|--------------|----------|
| | | HMC36AT | |
| 135301 | GRILLE,DISCHARGE | 3530A20006B | R |
| 135314 | GRILLE,REAR | 3530A10176B | R |
| 263230-1 | THERMISTOR ASSEMBLY | 6323A20028A | R |
| 263230-2 | THERMISTOR ASSEMBLY | 6323A20026A | R |
| 430410 | BASE ASSEMBLY, OUTDOOR | 3041AP7177D | R |
| 435511 | COVER ASSEMBLY,CONTROL(OUTDOOR) | 3551A10044B | R |
| 435512 | COVER ASSEMBLY,TOP(OUTDOOR) | 3H03266H | R |
| 437211 | PANEL ASSEMBLY,FRONT(OUTDOOR) | 3721A10109A | R |
| 447910 | BARRIER ASSEMBLY,OUTDOOR | 4791A10019B | R |
| 546810 | MOTOR ASSEMBLY,OUTDOOR | 4681AR1392X | R |
| 548490 | ACCUMULATOR ASSEMBLY(MECH) | 5211A21233B | R |
| 552112 | TUBE ASSEMBLY,CONDENSER IN | 5211A11010C | R |
| 552113 | TUBE ASSEMBLY, CONDENSER OUT | 5211A12001C | R |
| 552116 | TUBE ASSEMBLY, REVERSING | - | R |
| 552117 | TUBE ASSEMBLY, SUCTION(OUTDOOR) | 5211A10446C | R |
| 554031 | CONDENSER ASSEMBLY, BENT | 5403A20168C | R |
| 559010 | FAN ASSEMBLY, PROPELLER | 5901A10033A | R |
| 561410-1 | COIL ASSEMBLY, REVERSING VALVE | - | R |
| 561410-2 | COIL ASSEMBLY, SOLENOID | - | R |
| 649950 | CONTROL BOX ASSEMBLY,OUTDOOR | 4995A00002B | R |
| 668711-1 | PWB(PCB) ASSEMBLY,MAIN(AC) | 6871A20500B | R |
| 668711-2 | PWB(PCB) ASSEMBLY,MAIN(OUTDOOR) | 6871A20479B | R |
| 137213-1 | PANEL ASSEMBLY, SIDE | 3721A10110A | R |
| 137213-2 | PANEL ASSEMBLY, SIDE | 3721A10111C | R |
| 552203-1 | VALVE,SERVICE | 2H01890U | R |
| 552203-2 | VALVE,SERVICE | 2H02479R | R |
| 554160-1 | COMPRESSOR | 2520UH GK2EA | R |
| 554160-2 | COMPRESSOR | 2520UMMK2BA | R |
| 561411-1 | COIL ASSEMBLY,EXPANSION | 6141A20018D | R |
| 561411-2 | COIL ASSEMBLY,EXPANSION | 6141A20018E | R |
| 561411-3 | COIL ASSEMBLY,EXPANSION | 6141A20018F | R |
| W0CZZ-1 | CAPACITOR,DRAWING | 0CZZA20007Q | R |
| W0CZZ-2 | CAPACITOR,DRAWING | 2H01451S | R |
| 567502 | O.L.P | 2H00599W | R |

HMC36AT



Parts List - Outdoor Unit(HMH36AT)

| LOCATION No. | DESCRIPTION | PART No. | SVC CODE |
|--------------|---------------------------------|--------------|----------|
| | | HMH36AT | |
| 135301 | GRILLE,DISCHARGE | 3530A20006B | R |
| 135314 | GRILLE,REAR | 3530A10176B | R |
| 263230-1 | THERMISTOR ASSEMBLY | 6323A20028A | R |
| 263230-2 | THERMISTOR ASSEMBLY | 6323A20026A | R |
| 430410 | BASE ASSEMBLY, OUTDOOR | 3041AP7177D | R |
| 435511 | COVER ASSEMBLY,CONTROL(OUTDOOR) | 3551A10044A | R |
| 435512 | COVER ASSEMBLY, TOP(OUTDOOR) | 3H03266H | R |
| 437211 | PANEL ASSEMBLY,FRONT(OUTDOOR) | 3721A10109A | R |
| 447910 | BARRIER ASSEMBLY,OUTDOOR | 4791A10019B | R |
| 546810 | MOTOR ASSEMBLY,OUTDOOR | 4681AR1392X | R |
| 548490 | ACCUMULATOR ASSEMBLY(MECH) | 5211A21233A | R |
| 552112 | TUBE ASSEMBLY,CONDENSER IN | 5211A11010C | R |
| 552113 | TUBE ASSEMBLY, CONDENSER OUT | 5211A12001C | R |
| 552116 | TUBE ASSEMBLY, REVERSING | 5211A10448A | R |
| 552117 | TUBE ASSEMBLY, SUCTION(OUTDOOR) | - | R |
| 554031 | CONDENSER ASSEMBLY, BENT | 5403A20168A | R |
| 559010 | FAN ASSEMBLY, PROPELLER | 5901A10033A | R |
| 561410-1 | COIL ASSEMBLY, REVERSING VALVE | 6141A20021A | R |
| 561410-2 | COIL ASSEMBLY, SOLENOID | 6141A20022A | R |
| 649950 | CONTROL BOX ASSEMBLY,OUTDOOR | 4995A00002A | R |
| 668711-1 | PWB(PCB) ASSEMBLY,MAIN(AC) | 6871A20500B | R |
| 668711-2 | PWB(PCB) ASSEMBLY,MAIN(OUTDOOR) | 6871A20479A | R |
| 137213-1 | PANEL ASSEMBLY, SIDE | 3721A10110A | R |
| 137213-2 | PANEL ASSEMBLY, SIDE | 3721A10111C | R |
| 552203-1 | VALVE,SERVICE | 2H01890U | R |
| 552203-2 | VALVE,SERVICE | 2H02479R | R |
| 554160-1 | COMPRESSOR | 2520UH GK2EA | R |
| 554160-2 | COMPRESSOR | 2520UMMK2BA | R |
| 561411-1 | COIL ASSEMBLY,EXPANSION | 6141A20018D | R |
| 561411-2 | COIL ASSEMBLY,EXPANSION | 6141A20018E | R |
| 561411-3 | COIL ASSEMBLY,EXPANSION | 6141A20018F | R |
| W0CZZ-1 | CAPACITOR,DRAWING | 0CZZA20007Q | R |
| W0CZZ-2 | CAPACITOR,DRAWING | 2H01451S | R |
| 567502 | O.L.P | 2H00599W | R |
| 55211F | TUBE ASSEMBLY, SOLENOIDE | 5211A00007A | R |