

This Owner's Manual is provided and hosted by [Appliance Factory Parts](#).



# COMFORT-AIRE RAD-243B Owner's Manual

[Shop genuine replacement parts for COMFORT-AIRE  
RAD-243B](#)



[Find Your COMFORT-AIRE HVAC Parts - Select From 1486 Models](#)

----- Manual continues below -----

# PARTS LIST

for



## D CHASSIS

### MODELS

**RAD-243**

**RAD-243-5**

**REG-243**

**REG-243-5**

**FOR CUSTOMER SATISFACTION ALWAYS USE  
FACTORY SPECIFIED PARTS**

*Heat Controller, Inc.  
1900 Wellworth Avenue  
Jackson, MI 49203  
517/787-2100*

RP-RAD/REG-05  
REV. A, B, C - 5/19/2005

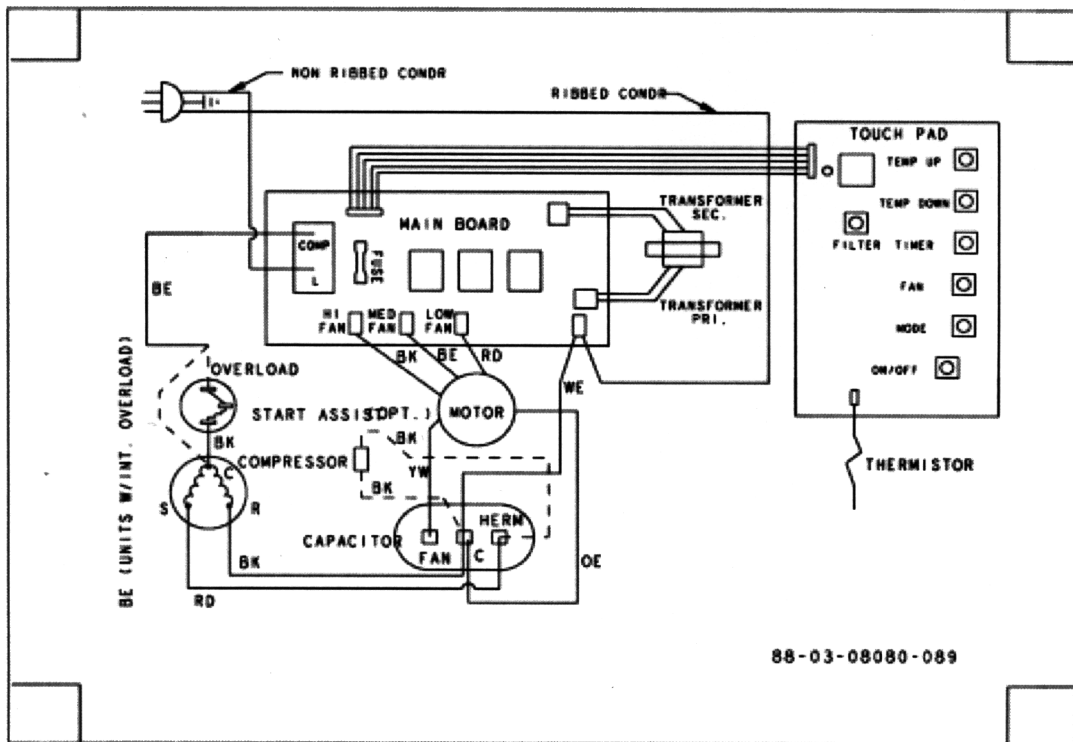
**Specifications**

MODEL	REV	BTUH	VOLTS	AMPS COOL	AMPS HEAT	WATTS COOL	WATTS HEAT	E.R. COOL	WIRING DIAGRAM	OZ. OF R22
<b>COMFORT AIRE</b>										
RAD-243	C	24000/23500	230/208	13.5/14.4	N/A	2830/2765	N/A	8.5	880308080089	36.00
RAD-243-5	A	24000/23500	230/208	13.5/14.4	N/A	2830/2765	N/A	8.5	880308080089	36.00
RAD-243-5	B	24000/23500	230/208	13.5/14.4	N/A	2830/2765	N/A	8.5	880308080089	36.00
REG-243	A	24000/23500	230/208	13.5/14.4	22.8/20.9	2830/2765	5200/4280	8.5	880308080088	36.00
REG-243-5	A	24000/23500	230/208	13.5/14.4	22.8/20.9	2830/2765	5200/4280	8.5	880308080088	36.00
REG-243-5	B	24000/23500	230/208	13.5/14.4	22.8/20.9	2830/2765	5200/4280	8.5	880308080088	36.00

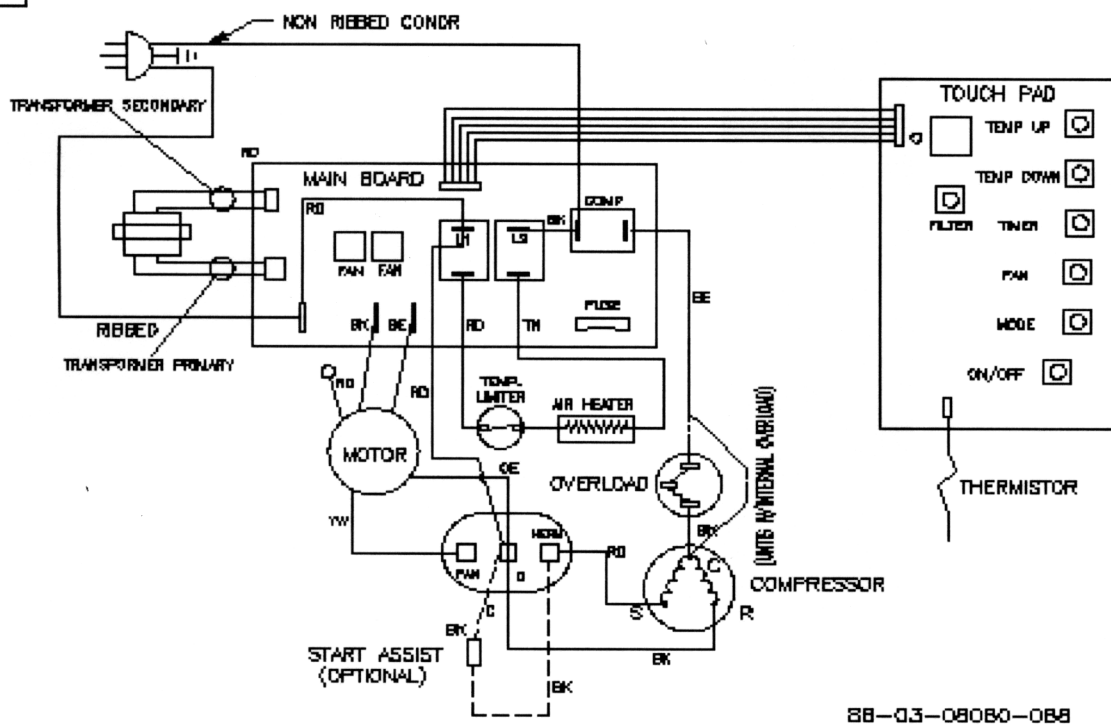
SPECIFICATIONS: SHALLOW CABINET SIZE:17 1/4" H X 26 1/2" W X 24" D

Wiring Diagrams

WD89

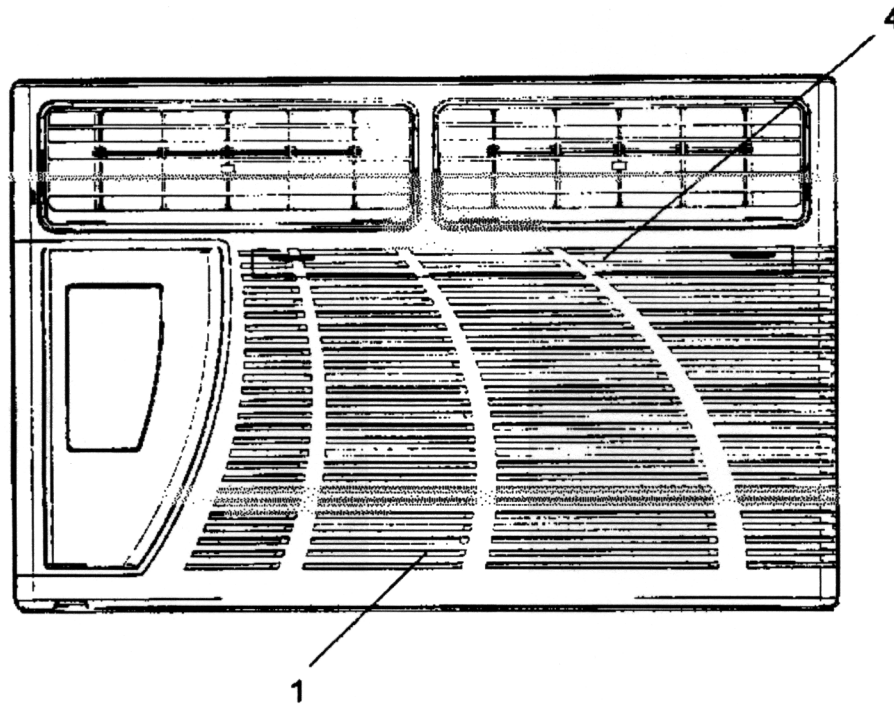


WD88



Decorative Front/ASM Packaging

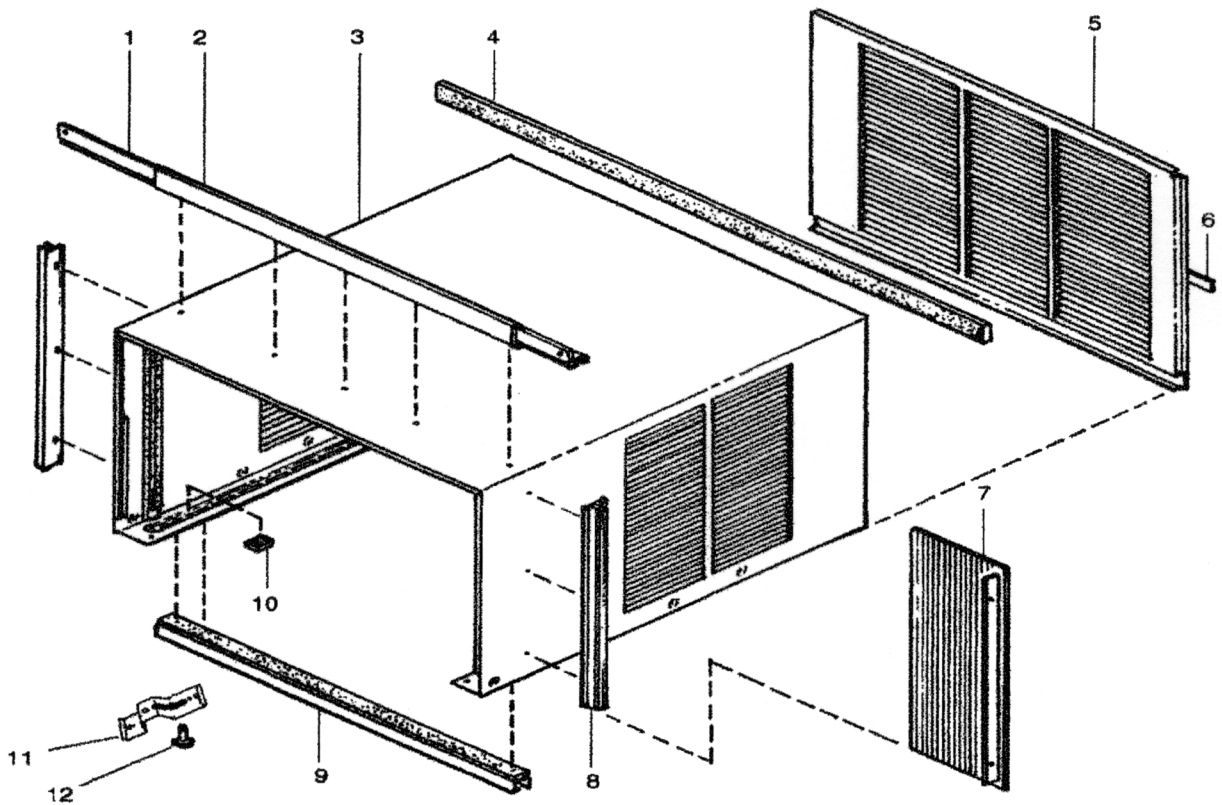
ITEM	DESCRIPTION	PART NUMBER	RAD-	RAD-	RAD-	REG-	REG-	REG-
			243	243-5	243-5	243	243-5	243-5
			C	A	B	A	A	B
1	DEC FRONT, COMFORT AIRE	112802700009	1	1	1	.	.	.
1	DEC FRONT, COMFORT AIRE	112802700013	.	.	.	1	1	1
4	FILTER, SLIDE OUT	112802400001	1	1	1	1	1	1
NI	I/O MANUAL	23112217N004	1	.	.	1	.	.
NI	I/O MANUAL	23112217N005	.	1	1	.	1	1
<b>PACKAGING</b>								
NI	CARTON	131108200104	1	1	1	.	.	.
NI	CARTON	131108200106	.	.	.	1	1	1
NI	CLAMSHELL TOP	131108180001	1	1	1	1	1	1
NI	CLAMSHELL BOTTOM	131108190002	1	1	1	1	1	1



External Parts

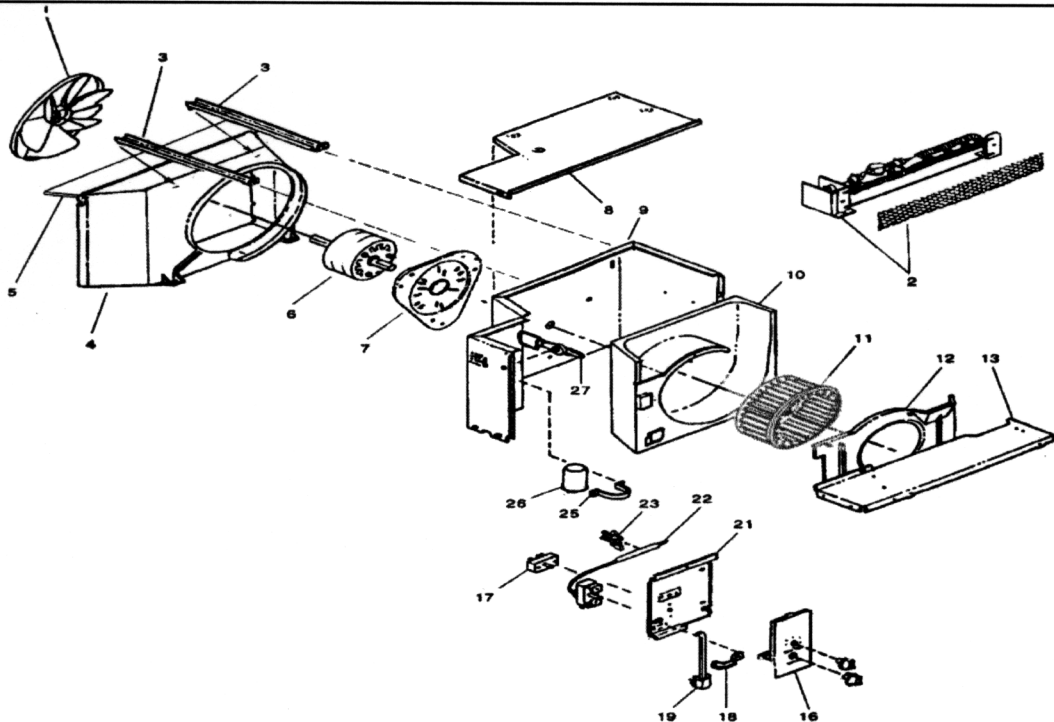
ITEM	DESCRIPTION	PART NO.	RAD-	RAD-	RAD-	REG-	REG-	REG-
			243	243-5	243-5	243	243-5	243-5
			C	A	B	A	A	B
1	RETAINER-TOP SLIDING	112123550023	2	2	2	2	2	2
2	TOP BAR ASM	112125310018	1	1	1	1	1	1
3	CABINET ASM SHALLOW	112802870003	1	1	1	1	1	1
4	FOAM SASH 40.0X1.50X.50	112111560018	1	1	1	1	1	1
5	REAR, GRILLE	113900570002	1	1	1	1	1	1
6	NAMEPLATE ,REAR COMFORT AIRE	881606080028	1	1	1	1	1	1
7	PANEL-FILLER	112122340016	2	2	2	2	2	2
8	RETAINER-SIDE	112122330019	2	2	2	2	2	2
9	BAR BOTTOM	111307030017	1	1	1	1	1	1
10	FOAM-TRACK,1.25X1.0X.25	111500590001	2	2	2	2	2	2
NI	INSTALLATION PARTS KIT, 112123200026	50110047N003	1	1	1	1	1	1
NI	SCREW KIT	112123200026	1	1	1	1	1	1
11	BRACKET-LEVEL,HAT SECT	112125390001	2	2	2	2	2	2
NI	PANEL-FILLER, CABINET	112125740002	1	1	1	1	1	1

- NOTES:** 1. A COMPLETE CABINET ASSEMBLY CONSISTS OF ITEMS 1,2,9, AND 10 ARE INCLUDED  
 2. LEVELING BOLTS AND LEVEL BRACKETS ARE FURNISHED AS PART OF INSTALLATION PARTS KIT.  
 3. SCREW KIT SOLD SPERATELY FROM INSTALLATION KIT.



Chassis ASM Parts

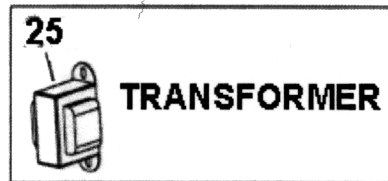
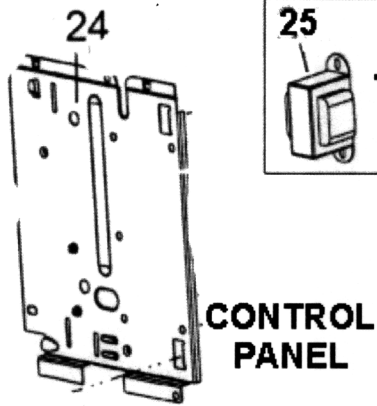
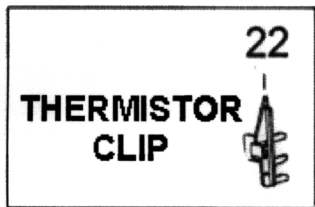
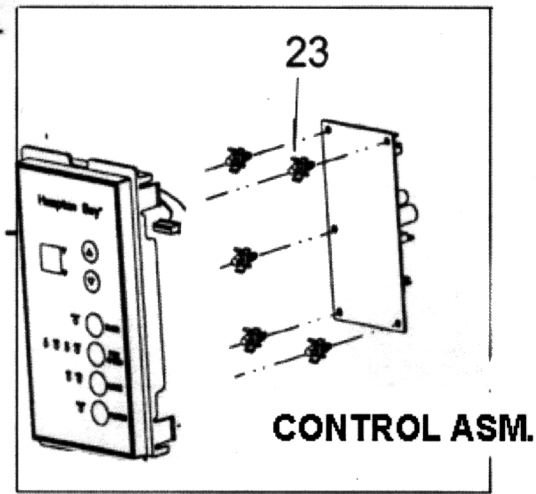
ITEM	DESCRIPTION	PART NO.	RAD-			REG-		
			243	243-5	243-5	243	243-5	243-5
1	FAN	112170000007	C	A	B	A	A	B
2	HEATER & GUARD ASSEMBLY	113301030012	.	.	.	1	1	1
3	BRACKET TIE 4.787X1.0W	112800030008	2	2	2	2	2	2
4	SHROUD DYN 1X1/2 COND	112801780001	1	1	1	1	1	1
6	MOTOR 230-208	112890000014	1	1	1	1	1	1
8	COVER ASM, BULKHEAD, COOL ONLY	112800570006	1	1	1	.	.	.
8	COVER ASM, BULKHEAD, HT/CL	112800570005	.	.	.	1	1	1
9	BULKHEAD	112800100010	1	1	1	1	1	1
10	HOUSING, BLOWER	112800720001	1	1	1	1	1	1
11	WHEEL-BLOWER	112160000005	1	1	1	1	1	1
12	VENTURI , COOL ONLY MODELS	112800710004	1	1	1	.	.	.
12	VENTURI , HT/CL	112800710003	.	.	.	1	1	1
18	CLAMP STRAIN RELIEF	111500920002	1	1	.	1	.	1
18	CLAMP STRAIN RELIEF	112126220001	.	1	.	.	.	.
18	CLAMP STRAIN RELIEF	111400660002	.	.	1	.	.	.
18	CLAMP STRAIN RELIEF	112106250001	.	.	.	.	1	.
19	POWER CORD	112124270010	.	.	.	1	.	.
19	POWER CORD 14/3 20A 250V	112124270031	1	1	.	.	.	.
19	POWER CORD LCDI	112126000506	.	.	.	.	1	.
19	POWER CORD LCDI	112126000508	.	1	.	.	.	.
19	POWER CORD AFCI	112126000006	.	.	.	.	.	1
19	POWER CORD AFCI	112126000008	.	.	1	.	.	.
26	CAPACITOR-50/7.5/370	160500710120	1	1	1	1	1	1
NI	CLAMP-.750 (SNAP ON HUB)	883400080003	2	2	2	2	2	2
NI	START ASSIST-115/230	160602360017	1	1	1	1	1	1
NI	CLIP-START ASSIST	160602360018	1	1	1	1	1	1
27	DOOR VENT ACTUATOR BLACK	112802450001	1	1	1	1	1	1



Electronic Parts

ITEM DESCRIPTION	PART NO.	RAD-243	RAD-243-5	RAD-243-5	REG-243	REG-243-5	REG-243-5
		C	A	B	A	A	B
22 THERMISTOR CLIP	112125420002	1	1	1	1	1	1
23 CONTROL ASM	112850030011	1	1	1	.	.	.
23 CONTROL ASM	112850030012	.	.	.	1	1	1
25 TRANSFORMER 230 VOLT	112150000002	1	1	1	1	1	1
NI TRANSMITTER, REMOTE	112150010006	1	1	1	1	1	1

ELECTRONIC CONTROL MODEL ITEMS



Refrigerant Parts

ITEM	DESCRIPTION	PART NO.	RAD-243			RAD-243-5		REG-243-5	
			C	A	B	A	A	B	
2	COND ASM 4 ROW 5/16 16FPI	112802440001	1	1	1	1	1	1	
3	BOTTOM PAN ASM	112800120029	1	1	1	1	1	1	
7	COMPRESSOR KIT	50160139N001	1	1	1	1	1	1	
12	DRAIN PLUG	112118840001	1	1	1	1	1	1	
13	BAFFLE DYNAMIC	112800680002	1	1	1	1	1	1	
14	EVAP COVER ASM HT/CL	112801450003	.	.	.	.	1	1	
14	EVAP ASM 4 R 5/16 16FPI	112803000002	1	1	1	1	.	.	
15	BAFFLE EVAP DYNAMIC	112801040002	1	1	1	1	1	1	
17	CAPILLARY-.046X.098X 30	S002C0002260	1	1	1	1	1	1	
19	TRAY DRIP	112800150002	1	1	1	1	1	1	
21	GROMMET-A, .625ID X 1.0"W	112123410003	1	1	1	1	1	1	
NI	STRAINER-.311/.305X1.38L	886000220006	1	1	1	1	1	1	

