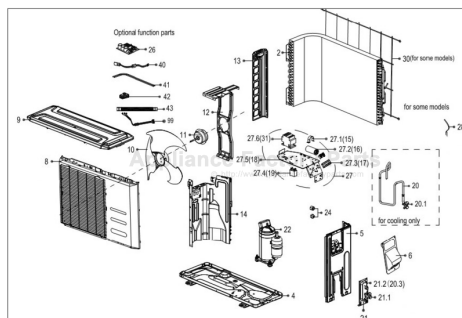


This Owner's Manual is provided and hosted by [Appliance Factory Parts](#).



COMFORT-AIRE CMA12SB-0 Owner's Manual

[Shop genuine replacement parts for COMFORT-AIRE
CMA12SB-0](#)



[Find Your COMFORT-AIRE HVAC Parts - Select From 1486 Models](#)

----- Manual continues below -----

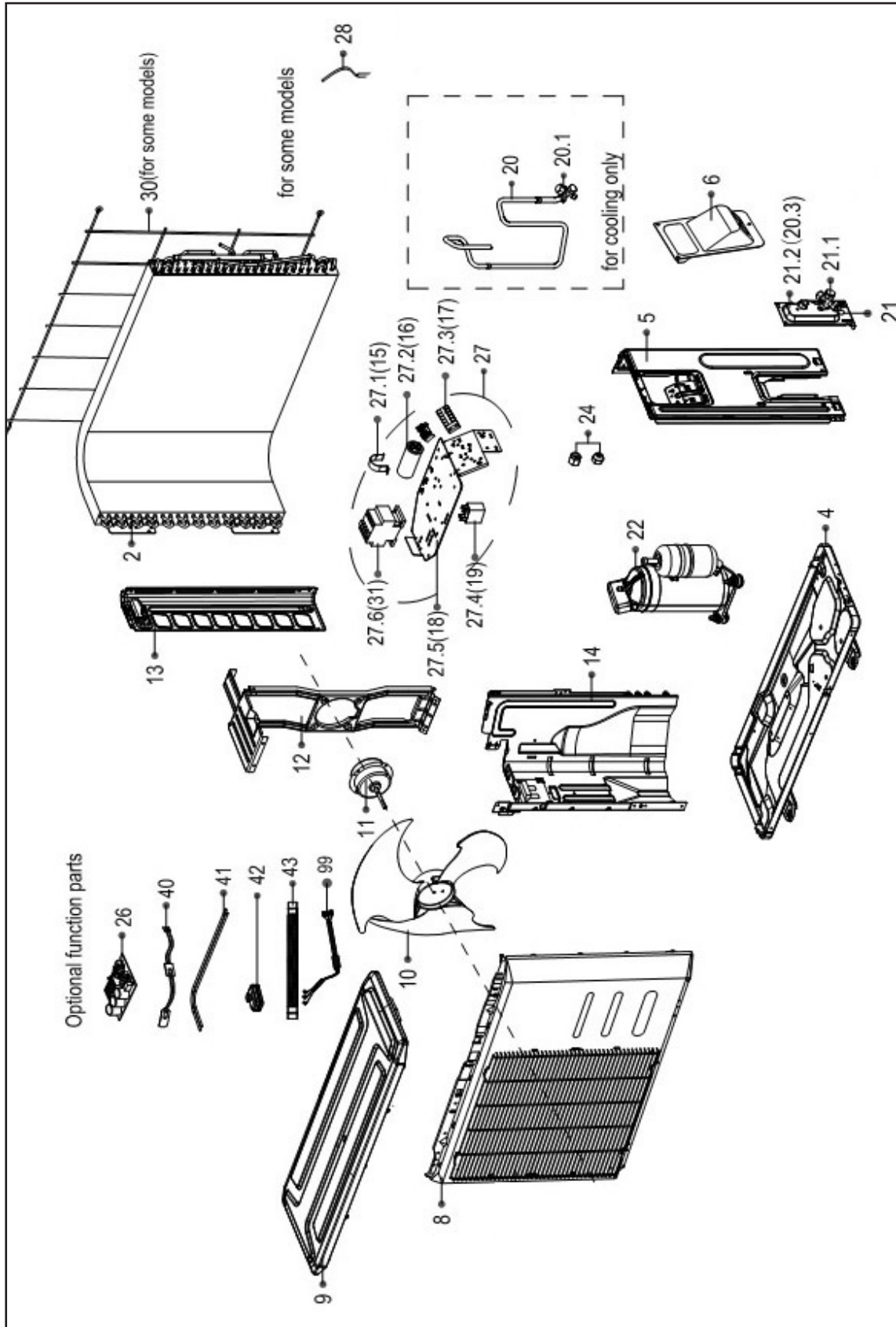


PARTS LIST

Horizontal/Side Discharge Condensing Units

CMA12SB-0

EXPLODED VIEW



REPLACEMENT PARTS

Location	Part Name	Quantity	Part No.
2	Condenser Assembly	1	15822000003878
4	Chassis assembly	1	12222000004427
5	Parts fn Right Side Plate	1	12222000006249
6	Big handle	1	12222000005102
8	Front panel assembly	1	12222000004842
9	Top cover assembly	1	12222000006246
10	Axial fan	1	12100105000057
11	Single+phase+asynchronous+motor	1	11002012009440
12	Supporter assembly of fan motor	1	12222000008924
13	Left supporter	1	12222000006244
14	Separation plate	1	12222000002235
20	Low Pressure Valve assembly	1	15422000008232
20.1	Low Pressure Valve	1	15500204000262
20.3	Installing plate for valves	1	12222000002571
21	Liquid valve Assembly	1	15422500000557
21.1	Liquid valve	1	15500208000028
22	Fixed speed rotary compressor	1	11103010000756
24	Copper nut	1	15500406000012
24	Copper nut	1	15500406000016
27	Electronic control box assembly	1	17222000012749
27.1	Capacitor clamp	1	12200203000006
27.2	Compressor Capacitor(Round)	1	17400103000033
27.3	Wire holder	1	17400401000087
27.3	Wire holder	1	17400401000131
27.4	Capacitor	1	17400101000026
27.5	Installation plate of electric parts	1	12222000004742
27.6	AC contactor	1	11203502000087
29	Air outlet grille	1	12222000007424
30	Rear Net	1	12222000003986
99	Connection cable assembly of compressor	1	17401203000882

Due to ongoing product improvements, specifications and dimensions are subject to change and correction without notice or incurring obligations. Determining the application and suitability for use of any product is the responsibility of the installer. Additionally, the installer is responsible for verifying dimensional data on the actual product prior to beginning any installation preparations.

Incentive and rebate programs have precise requirements as to product performance and certification. All products meet applicable regulations in effect on date of manufacture; however, certifications are not necessarily granted for the life of a product. Therefore, it is the responsibility of the applicant to determine whether a specific model qualifies for these incentive/rebate programs.

Comfort-Cure[®]

1900 Wellworth Ave., Jackson, MI 49203 • Ph. 517-787-2100 • www.marsdelivers.com

