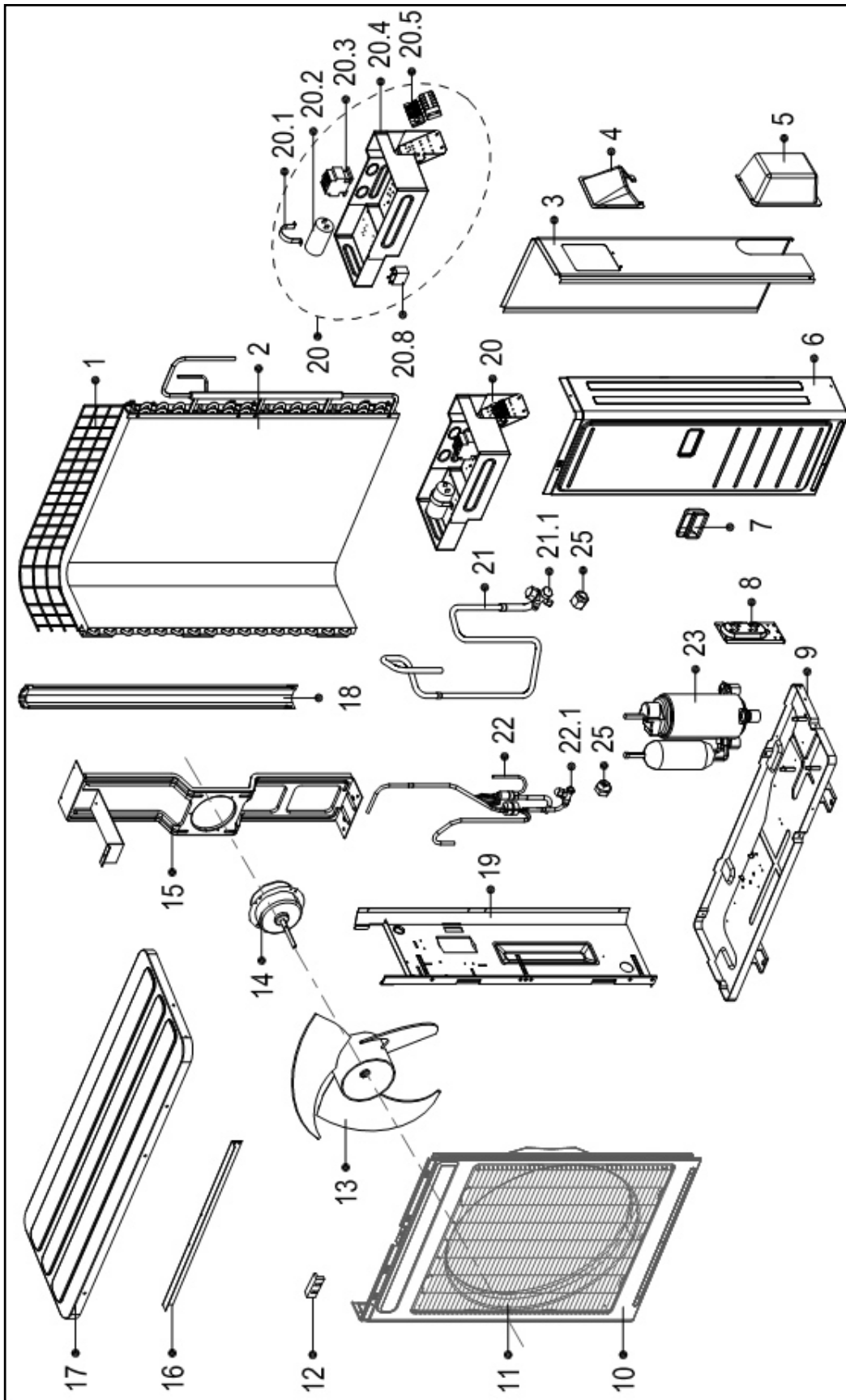


HEAT CONTROLLER

**REPLACEMENT
PARTS LIST**

**Horizontal/Side Discharge
Condensing Units
CMA24SB-1**

EXPLODED VIEW



REPLACEMENT PARTS

Location	Part Name	Quantity	Part No.
1	Rear net	1	2011482G0001
2	Condenser assembly	1	201538090118
3	Rear right clapboard assembly	1	201238090067
4	Big handle	1	201237390104
5	Water collector	1	201138090002
6	Front right clapboard assembly	1	201248200082
7	Handle	2	201148700009
8	Valve plate	1	201248690005
9	Chassis assembly	1	201248300312
10	Front panel	1	201248200103
11	Air outlet grille	1	201238090068
12	Clamp of front net	8	201135110801
13	Axial flow fan	1	201100300535
14	Asynchronous motor	1	202400401418
15	Supporter assembly of fan motor	1	201238190011
16	Rear net frame	1	201248200095
17	Top cover assembly	1	201248300309
18	Left supporter	1	201248400036
19	Partition board assembly	1	201248200121
20	Electronic control box assembly	1	203338090312
20.1	Capacitor clip	1	201200100057
20.2	Capacitor of compressor	1	202401000074
20.3	AC contactor	1	202300850015
20.4	Electronic installing box assembly	1	201238190019
20.5	Wire joint	1	202301400066
20.5	Wire joint	1	202301400063
20.8	Fan motor capacitor	1	202401100407
21	Gas valve assembly	1	201638091030
21.1	Gas valve	1	201600720698
22	liquid valve assembly	1	201638091032
22.1	Liquid valve	1	201600700010
23	Compressor	1	201400630510
25	Copper nut	1	201600320004
25	Copper nut	1	201600320001

Due to ongoing product improvements, specifications and dimensions are subject to change and correction without notice or incurring obligations. Determining the application and suitability for use of any product is the responsibility of the installer. Additionally, the installer is responsible for verifying dimensional data on the actual product prior to beginning any installation preparations.

Incentive and rebate programs have precise requirements as to product performance and certification. All products meet applicable regulations in effect on date of manufacture; however, certifications are not necessarily granted for the life of a product. Therefore, it is the responsibility of the applicant to determine whether a specific model qualifies for these incentive/rebate programs.

HEAT CONTROLLER

1900 Wellworth Ave., Jackson MI 49203 • Ph. 517-787-2100 • www.heatcontroller.com

A  Company