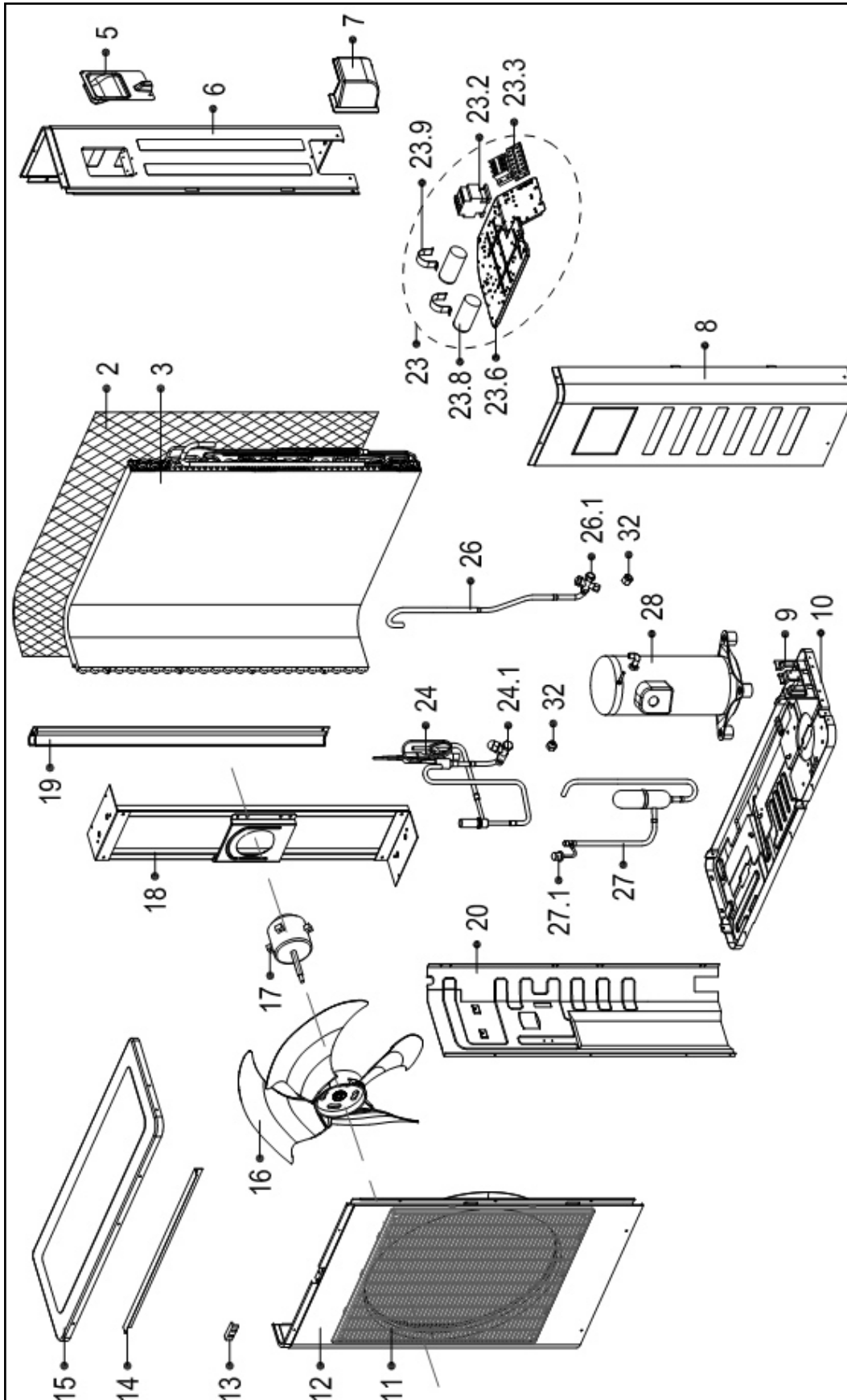


HEAT CONTROLLER

**REPLACEMENT  
PARTS LIST**

**Horizontal/Side Discharge  
Condensing Units  
CMA30SB-1**

# EXPLODED VIEW



# REPLACEMENT PARTS

Location	Part Name	Quantity	Part No.
2	Rear net	1	2011487G0001
3	Condenser assembly	1	201538190030
5	Big handle assembly	1	201237390104
6	Rear right clapboard assembly	1	201248700256
7	Water collector	1	201148790000
8	Front right clapboard assembly	1	201248700056
9	Valve plate	1	201248790014
10	Chassis	1	201275490085
11	Front net assembly	1	201248700055
12	Front panel	1	201248700072
13	Clamp of front net	10	201135110801
14	Rear supporter	1	2012487G0011
15	Top cover assembly	1	201257190096
16	Axial flow fan	1	201100300145
17	Asynchronous motor	1	202400401142
18	Supporter assembly of fan motor	1	201275590020
19	Rear-left supporting board	1	201248700262
20	Partition board assembly	1	201248700070
23	Electronic control box assembly	1	203338190119
23.2	AC contactor	1	202300850015
23.3	Wire joint	1	202301400063
23.3	Wire joint	1	202301450117
23.6	Electronic installing plate	1	201275590077
23.8	Capacitor of compressor	1	202401000075
23.8	Capacitor of compressor	1	202401000006
23.9	Capacitor clip	1	201200101040
23.9	Capacitor clip	1	201200100011
24	Liquid valve assembly	1	201638190568
24.1	Liquid valve	1	201600740704
26	Gas valve assembly	1	201638190569
26.1	Gas valve	1	201600720425
27	Discharge pipe assembly	1	201638190566
27.1	Pressure switch	1	202301820504
28	Compressor	1	201400600140
32	Copper nut	1	201600320004
32	Copper nut	1	201600320001

Due to ongoing product improvements, specifications and dimensions are subject to change and correction without notice or incurring obligations. Determining the application and suitability for use of any product is the responsibility of the installer. Additionally, the installer is responsible for verifying dimensional data on the actual product prior to beginning any installation preparations.

Incentive and rebate programs have precise requirements as to product performance and certification. All products meet applicable regulations in effect on date of manufacture; however, certifications are not necessarily granted for the life of a product. Therefore, it is the responsibility of the applicant to determine whether a specific model qualifies for these incentive/rebate programs.

# HEAT CONTROLLER

1900 Wellworth Ave., Jackson MI 49203 • Ph. 517-787-2100 • [www.heatcontroller.com](http://www.heatcontroller.com)

A  Company