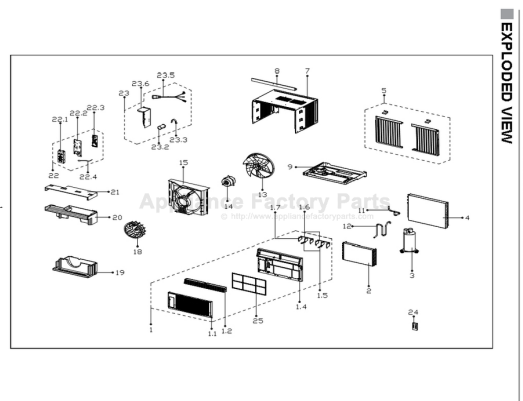


This Owner's Manual is provided and hosted by [Appliance Factory Parts](http://www.ApplianceFactoryParts.com).



COMFORT-AIRE RADS-81L Owner's Manual

[Shop genuine replacement parts for COMFORT-AIRE RADS-81L](#)



[Find Your COMFORT-AIRE Air Conditioner Parts - Select From 599 Models](#)

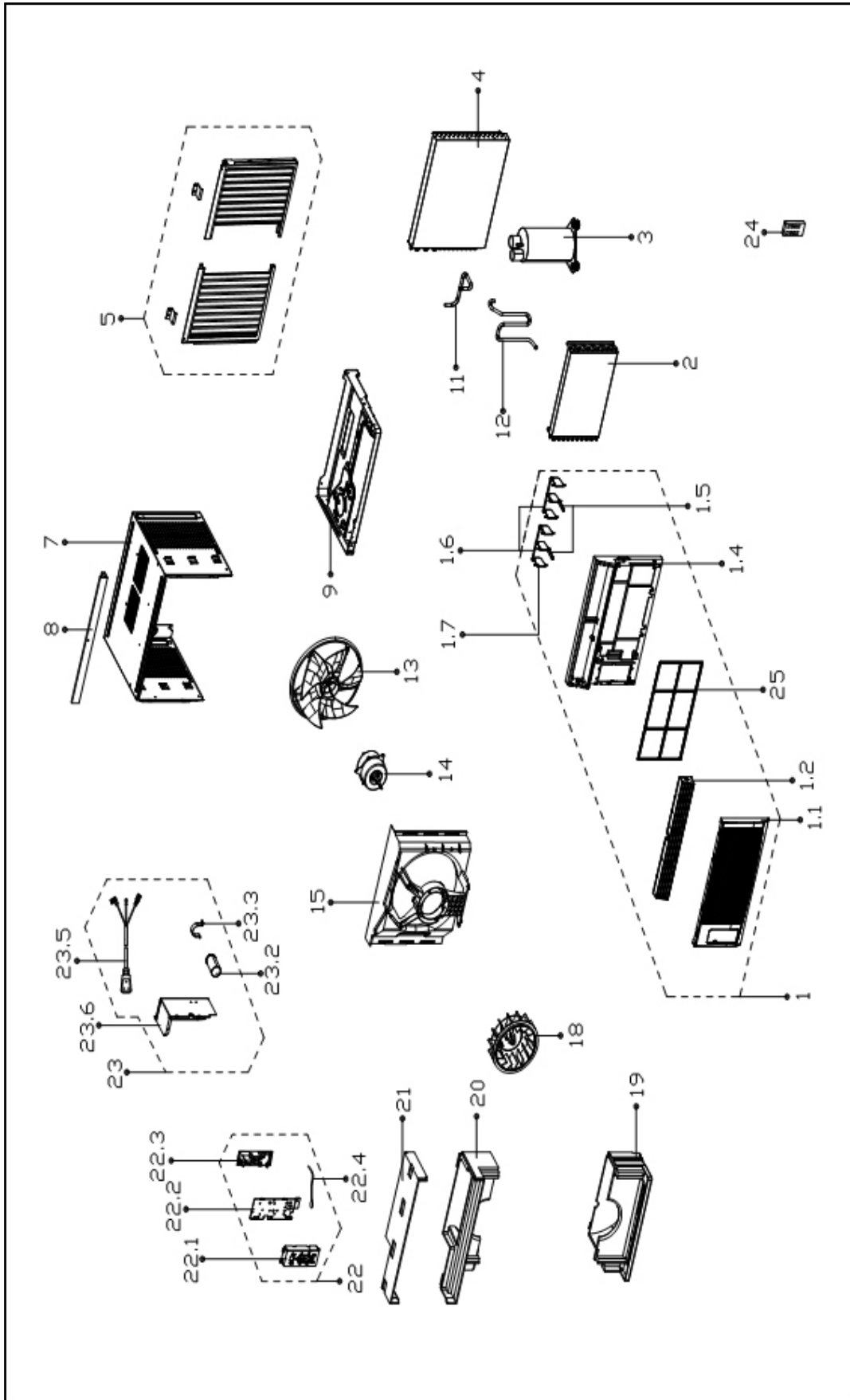
----- Manual continues below -----

HEAT CONTROLLER

**REPLACEMENT
PARTS LIST**

**Room Air Conditioner with R-410A:
RADS-81L**

EXPLODED VIEW



REPLACEMENT PARTS

Location	Part Name	Quantity	Part No.
1	Front panel assembly	1	2011213A0151
1.1	Front panel	1	201121190496
1.2	Air outlet frame	1	201121190497
1.4	Panel frame	1	201121190495
1.5	Vertical vane I	2	201121190017
1.6	Louver holder	2	2011213A0069
1.7	Vertical vane II	4	201121190016
1.8	Display box assembly	1	203321390103
2	Evaporator assembly	1	201521390151
3	Compressor	1	201400603506
4	Condenser assembly	1	201521390150
5	Installation accessory	1	202821390012
7	Cabinet assembly	1	201221390176
8	Top shutter frame	1	201221390094
9	Chassis assembly	1	201221390179
11	Suction pipe	1	201621390441
12	Discharge pipe assembly	1	201621390510
13	Axial flow fan	1	201100300047
14	Asynchronous motor	1	202400401547
15	Rear separating	1	201121390141
16	Left linker of fan motor	1	201221390037
17	Right linker of fan motor	1	201221390038
18	Centrifugal fan	1	201100100062
19	Volute shell (below)	1	202221390012
20	Mid volute shell	1	202221390011
21	Volute shell (above)	1	202221390010
22	Electronic control box assembly	1	203321390180
22.2	Cover of electronic control box	1	201221390173
22.3	Main control board assembly	1	201321590080
22.4	Ambient temperature sensor assembly	1	202433190000
23	Electronic control box assembly	1	203321390181
23.2	Capacitor of compressor	1	202401400004
23.3	Capacitor clip	1	201200100002
23.5	Power cord	1	202402200111
23.6	Electronic control box	1	201221390172
24	Remote controller	1	2033550A3128
25	Air filter	1	201121190321
	Carton	1	2026213A0471
	Display label	1	2020217A2004

Due to ongoing product improvements, specifications and dimensions are subject to change and correction without notice or incurring obligations. Determining the application and suitability for use of any product is the responsibility of the installer. Additionally, the installer is responsible for verifying dimensional data on the actual product prior to beginning any installation preparations.

Incentive and rebate programs have precise requirements as to product performance and certification. All products meet applicable regulations in effect on date of manufacture; however, certifications are not necessarily granted for the life of a product. Therefore, it is the responsibility of the applicant to determine whether a specific model qualifies for these incentive/rebate programs.

HEAT CONTROLLER

1900 Wellworth Ave., Jackson MI 49203 • Ph. 517-787-2100 • www.heatcontroller.com

A  Company