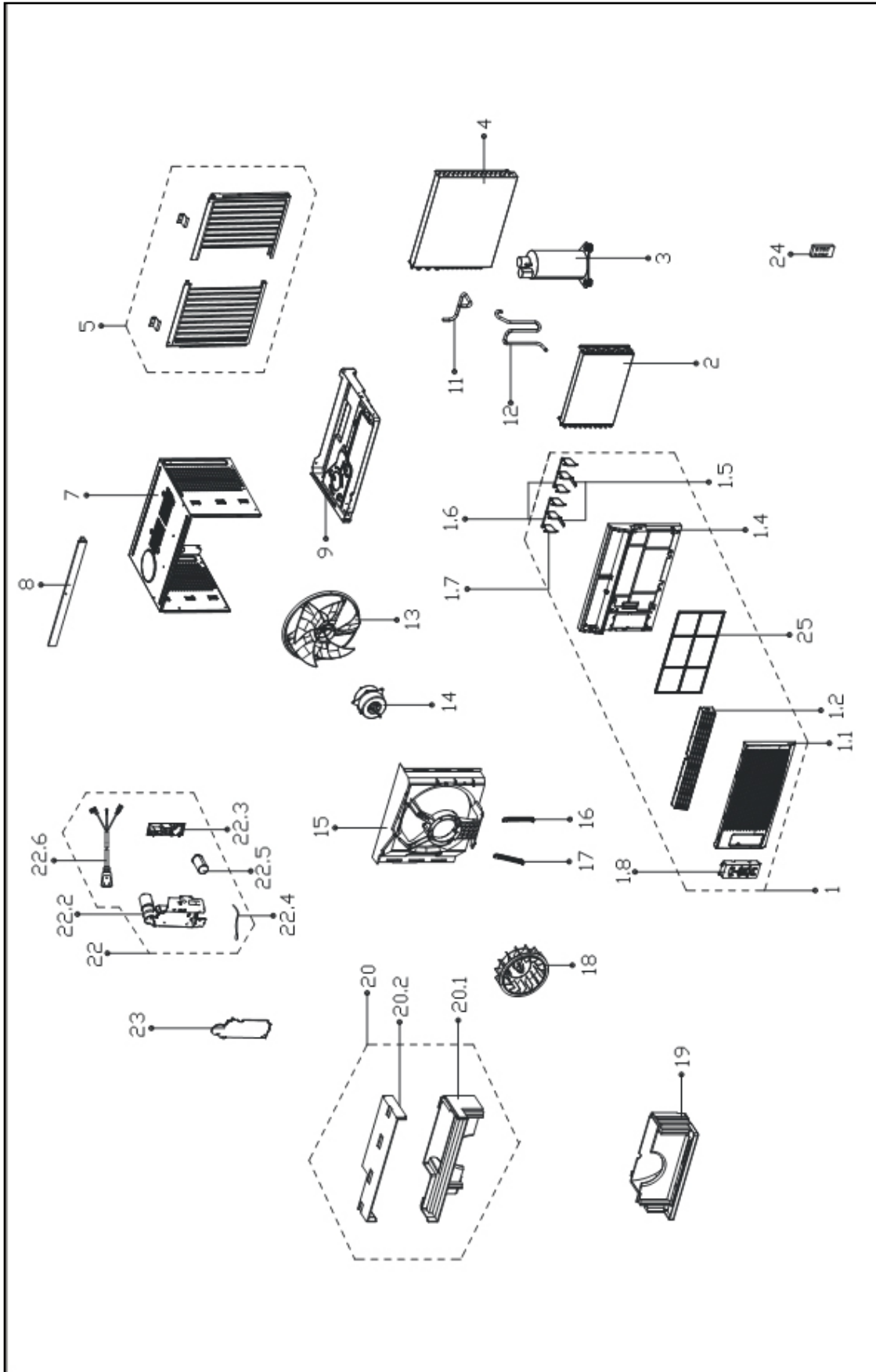




## PARTS LIST

# **Room Air Conditioner with R-410A: RADS-81P**

# EXPLODED VIEW



## REPLACEMENT PARTS

Location	Part Name	Quantity	Part No.
1	Front panel assembly	1	12120300A07278
1.1	Front panel	1	12120300A06178
1.2	Air outlet frame	1	12120300A05622
1.3	Air filter	1	12100204A00158
1.4	Panel frame	1	12120300A05598
1.5	Vertical vane I	2	12120300002285
1.6	Louver holder	2	12120300002286
1.7	Vertical vane II	4	12120300002291
1.8	Display box assembly	1	17220300A04223
2	Evaporator assembly	1	15820300001309
3	Compressor	1	11103010002889
4	Condenser assembly	1	15820300001307
5	Installation accessory	1	12020300000287
7	Cabinet assembly	1	12220300001918
8	Top shutter frame	1	12220300000903
9	Chassis assembly	1	12220300001620
11	Suction pipe	1	15120300001404
12	Discharge pipe assembly	1	15120300003802
13	Axial flow fan	1	12100105000087
14	Asynchronous motor	1	11002012010040
15	Rear separating	1	12120300002244
16	Left linker of fan motor	1	12220300000454
17	Right linker of fan motor	1	12220300000455
18	Centrifugal fan	1	12100103000086
19	Volute shell (bottom)	1	12820300000279
20	Volute shell (above)	1	12820300000259
22	Electronic control box assembly	1	17220300001470
22.2	Electronic control box	1	12220300001618
22.3	Main control board assembly	1	17120300002168
22.4	Ambient temperature sensor assembly	1	11201007000088
22.5	Capacitor of compressor	1	17400104000003
22.6	Power cord	1	17401202000156
23	Cover of electronic control box	1	12220300001619
24	Remote controller	1	17317000A14561
23.5	Power cord	1	17401202000230
23.6	Electronic control box	1	12220300000481
24	Remote controller	1	17317000A14561

Due to ongoing product improvements, specifications and dimensions are subject to change and correction without notice or incurring obligations. Determining the application and suitability for use of any product is the responsibility of the installer. Additionally, the installer is responsible for verifying dimensional data on the actual product prior to beginning any installation preparations.

Incentive and rebate programs have precise requirements as to product performance and certification. All products meet applicable regulations in effect on date of manufacture; however, certifications are not necessarily granted for the life of a product. Therefore, it is the responsibility of the applicant to determine whether a specific model qualifies for these incentive/rebate programs.

*Comfort-Aire*<sup>®</sup>

1900 Wellworth Ave., Jackson MI 49203 • Ph. 517-787-2100 • [www.comfort-aire.com](http://www.comfort-aire.com)



[www.marsdelivers.com](http://www.marsdelivers.com) • [www.heatcontroller.com](http://www.heatcontroller.com)