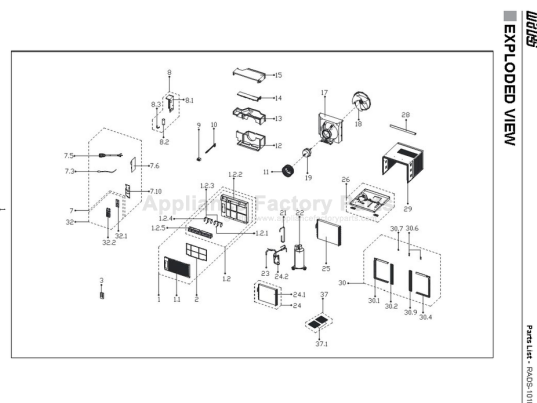


This Owner's Manual is provided and hosted by [Appliance Factory Parts](#).



COMFORT-AIRE RADS-101P Owner's Manual

[Shop genuine replacement parts for COMFORT-AIRE
RADS-101P](#)



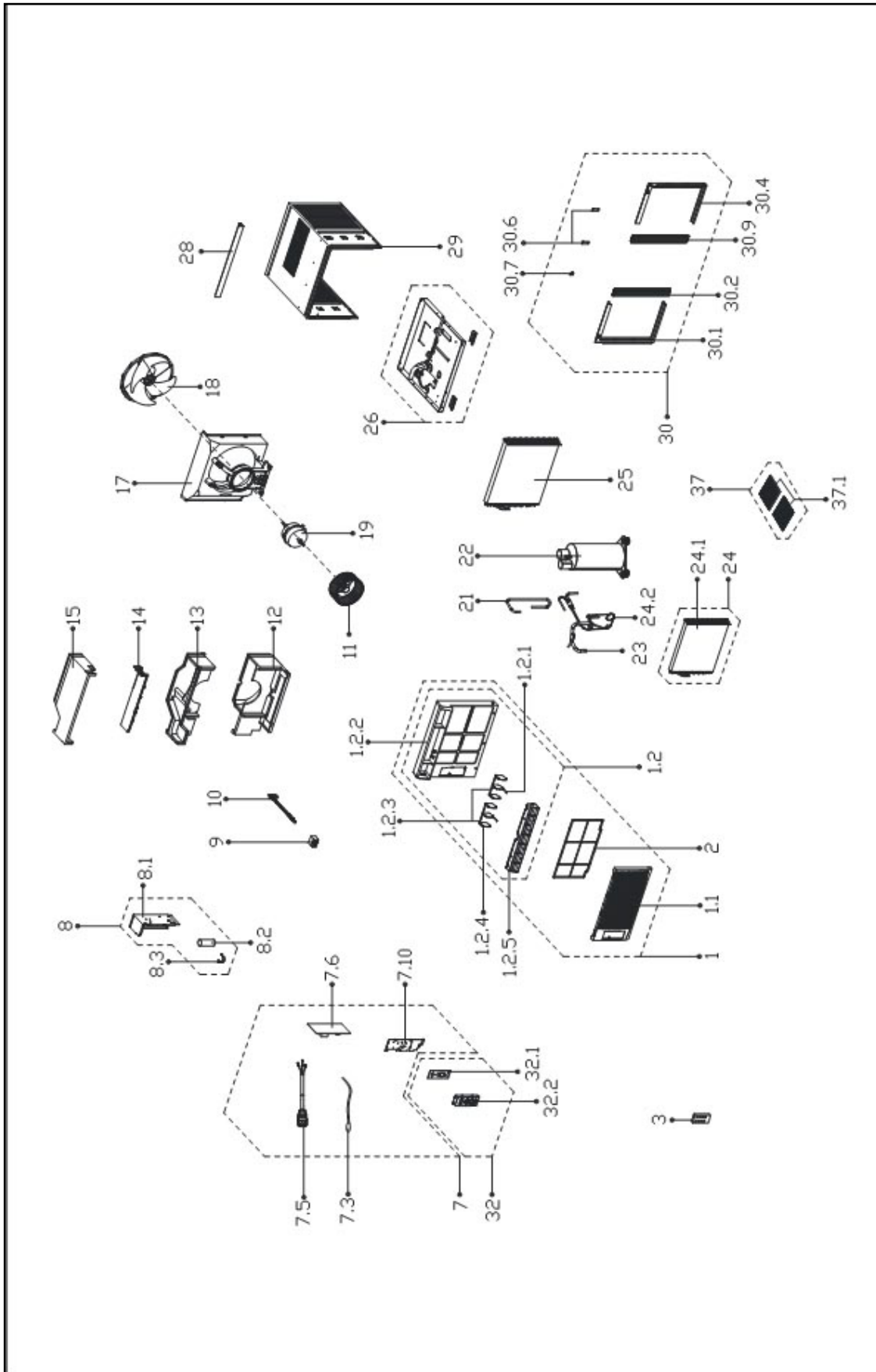
[Find Your COMFORT-AIRE Air Conditioner Parts - Select From 599 Models](#)

----- Manual continues below -----



**Room Air Conditioner with R-410A:
RADS-101P**

EXPLODED VIEW



REPLACEMENT PARTS

Location	Part Name	Quantity	Part No.
1	Panel assembly	1	12120300A10836
1.1	Front panel	1	12120300A06258
1.2	Panel frame	1	12120300A06257
3	Remote controller	1	17317000A14561
7	Electronic control box assembly	1	17220300000649
7.3	Ambient temperature sensor assembly	1	11201007000088
7.5	Power cord	1	17401202000109
7.6	Main control board assembly	1	17120300002168
7.10	Cover of electronic control box	1	12220300000494
8	Electronic control box	1	17220300000363
8.1	Electronic control box	1	12220300000508
8.2	Capacitor of compressor	1	17400104000003
8.3	Capacitor clip	1	12200203000011
9	Bracket of fresh air door	1	12120300001268
10	Fresh air door	1	12120300002648
11	Centrifugal fan	1	12100103000052
12	Volute shell (below)	1	12820300000112
13	Mid volute shell	1	12820300000128
14	Wind baffle board	1	12120300002649
15	Volute shell (above)	1	12820300000098
17	Rear separating	1	12120300002304
18	Axial flow fan	1	12100105000032
19	Asynchronous motor	1	11002012010280
21	Suction pipe	1	15120300003886
22	compressor	1	11103010002929
23	Discharge pipe assembly	1	15120300001000
24	Evaporator coil assembly	1	15820300001367
24.1	Evaporator	1	15820300000827
24.2	Capillary assembly	1	15120300003882
25	Condenser assembly	1	15820300000626
26	Chassis assembly	1	12220300000429
28	Top shutter frame	1	12220300000889
29	Cabinet	1	12220300000815
30	Installation accessory	1	12020300000330
32	Display box assembly	1	17220300A04223
32.1	Display board assembly	1	17120300000076
32.2	Control panel	1	12120300A05704

Due to ongoing product improvements, specifications and dimensions are subject to change and correction without notice or incurring obligations. Determining the application and suitability for use of any product is the responsibility of the installer. Additionally, the installer is responsible for verifying dimensional data on the actual product prior to beginning any installation preparations.

Incentive and rebate programs have precise requirements as to product performance and certification. All products meet applicable regulations in effect on date of manufacture; however, certifications are not necessarily granted for the life of a product. Therefore, it is the responsibility of the applicant to determine whether a specific model qualifies for these incentive/rebate programs.

Comfort-Aire®

1900 Wellworth Ave., Jackson MI 49203 • Ph. 517-787-2100 • www.comfort-aire.com



www.marsdelivers.com • www.heatcontroller.com