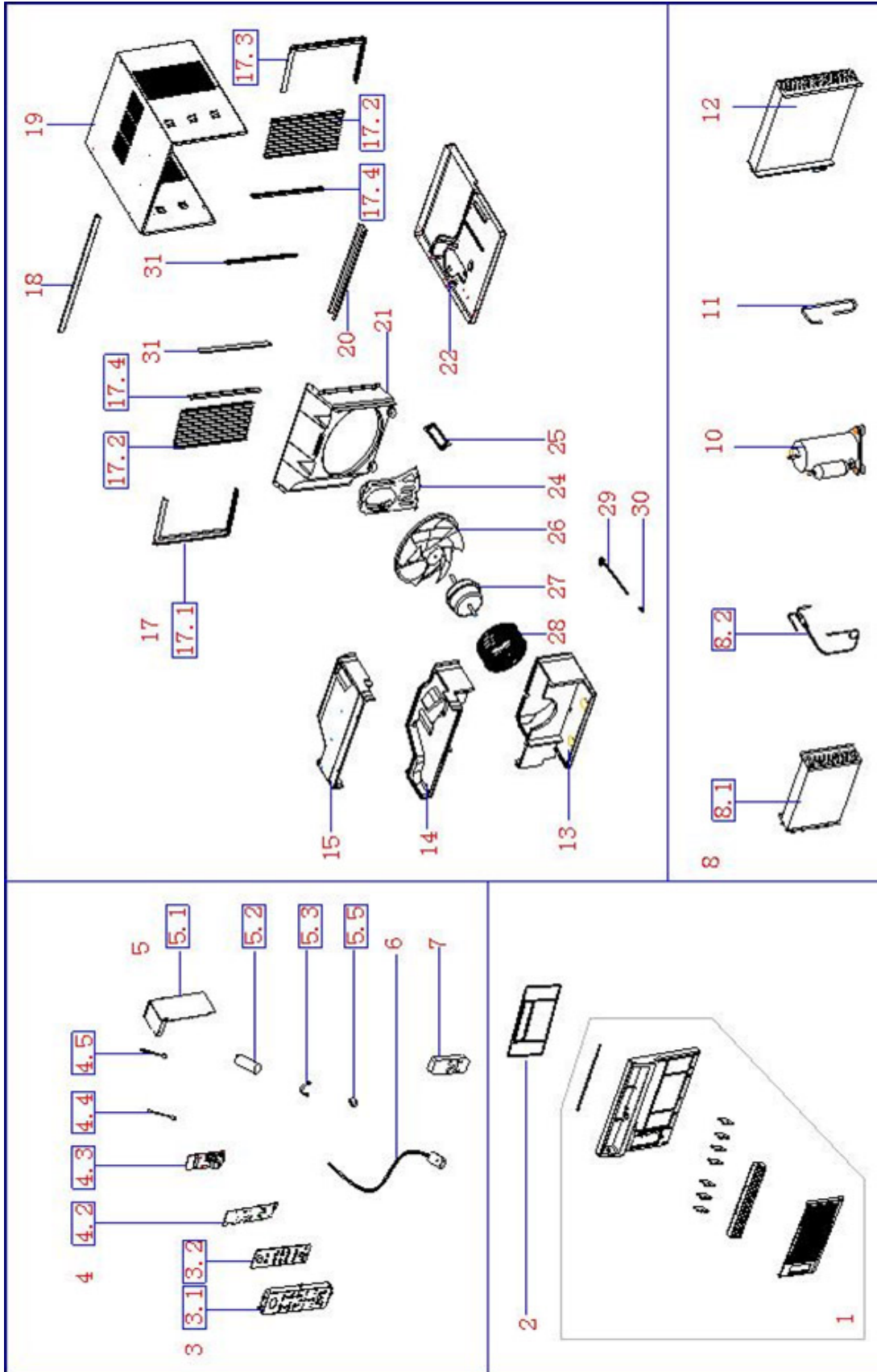


HEAT CONTROLLER

**REPLACEMENT  
PARTS LIST**

**Room Air Conditioner with R-410A:  
RAD-123J**

# EXPLODED VIEW



# REPLACEMENT PARTS

Location	Part Name	Quantity	Part No.
1	Panel assembly	1	2011217A0582
2	Air filter	1	201121790054
3	Display box assembly	1	2033217A0313
3.1	Control panel	1	2011217A0553
3.2	Display Panel artwork	1	2020217A2004
4	Electronic control box assembly	1	2033217A0312
4.2	Cover of electronic control box	1	201221790212
4.3	Main control board assembly	1	2013217A0122
4.4	Indoor temperature sensor assembly	1	202433190000
4.5	Pipe temperature sensor assembly	1	202301300080
5	Electronic control box assembly	1	203321790196
5.1	Cover of electronic control box	1	201221790213
5.2	Capacitor of compressor	1	202401070061
5.3	Capacitor clip	1	201200100002
5.5	Capacitor of fan motor	1	202401100235
6	Power cord	1	202419990024
7	Remote controller	1	2033550A3128
8	Evaporator coil assembly	1	201521790195
8.1	Evaporator	1	201521590023
8.2	Capillary assembly	1	201621790678
10	compressor	1	201400601350
11	Discharge pipe assembly	1	201621790669
12	Condenser assembly	1	201521790217
13	Volute shell (below)	1	202221790014
14	Mid volute shell	1	202221790013
15	Volute shell (above)	1	202220490006
17	Installation accessory	1	2028217A0009
17.1	Left shutter frame	1	201120490086
17.2	Shutter	2	201120490089
17.3	Right shutter frame	1	201120490087
17.4	Locking bar of shutter	2	201120490088
18	Top shutter frame	1	201221790193
19	Cabinet	1	201221790201
20	Bottom shutter frame	1	201220490072
21	Rear separating	1	201121790323
22	Chassis assembly	1	201221790135
24	Supporter assembly of fan motor	1	201221790033
25	Connecting board	1	201221790153
26	Axial flow fan	1	201100300031
27	Asynchronous motor	1	202400400985
28	Centrifugal fan	1	201100100037
29	Fresh air door	1	201121790033
30	Bracket of fresh air door	1	201120490140
31	Connection bar to cabinet	2	201121790152
32	Fresh Air Vent handle	1	201121790033

*Design, material, performance data and components subject to change without notice.*

# HEAT CONTROLLER

1900 Wellworth Ave., Jackson, Michigan 49203 • Ph. 517-787-2100 • Fax 517-787-9341

**[www.heatcontroller.com](http://www.heatcontroller.com)**

**THE QUALITY LEADER IN CONDITIONING AIR**