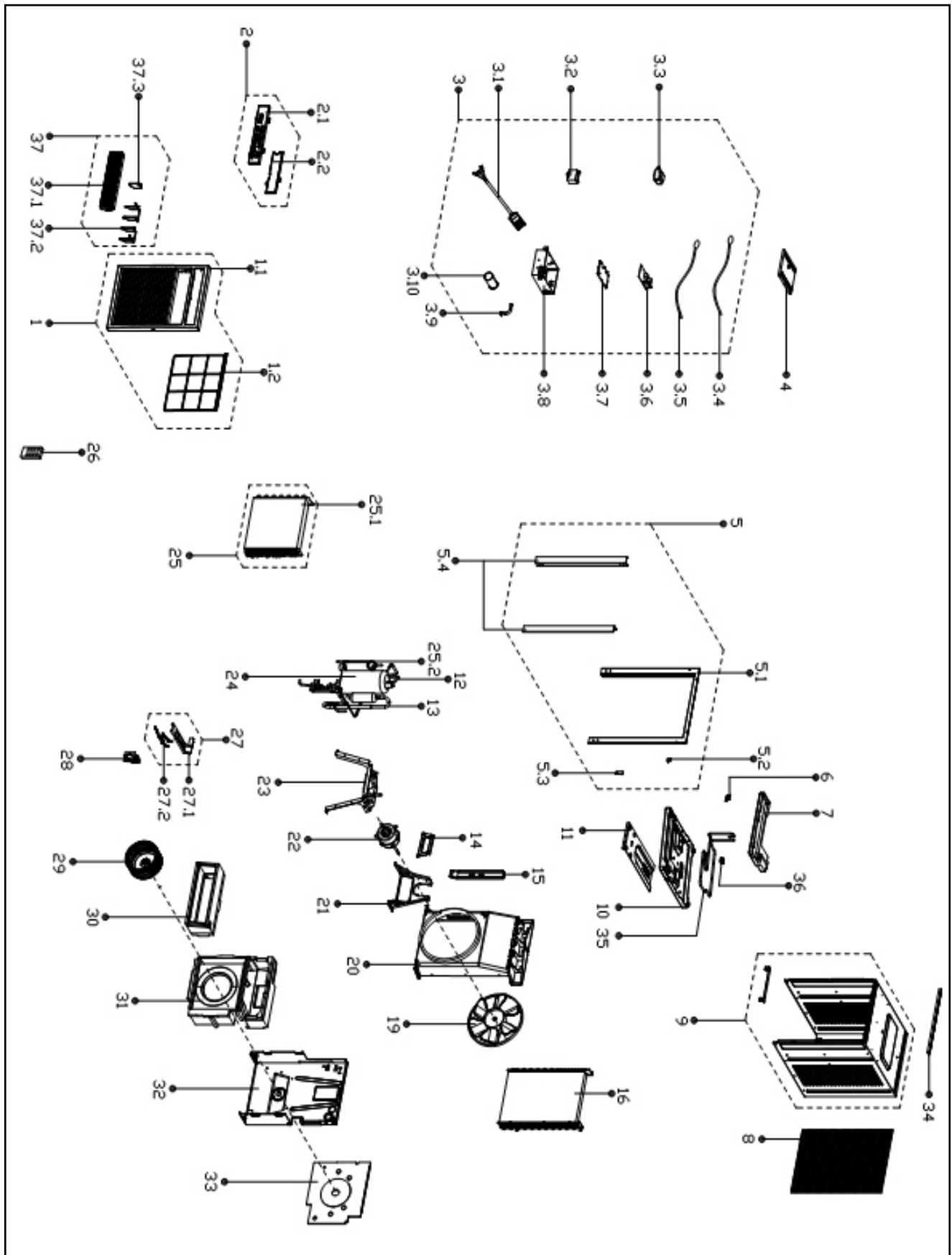


HEAT CONTROLLER

**REPLACEMENT
PARTS LIST**

**Room Air Conditioner with R-410A:
CD-101M**

EXPLODED VIEW



REPLACEMENT PARTS

Location	Part Name	Quantity	Part No.
1	Panel assembly	1.0	12120300A00736
1.1	Front panel	1.0	12120300A00727
1.2	Filter	1.0	12100204A00048
2	Structure Subassembly of Display Box	1.0	17220300A01994
2.1	Control board	1.0	12120300A00549
2.2	Control board cover	1.0	12120300000639
3	E-Parts Box Subassembly	1.0	17220300001086
3.1	Power Supply Cable Subassembly	1.0	17401202000174
3.2	Fan Capacitor	1.0	17400101000037
3.3	Power Transformer	1.0	11203103000120
3.4	Temperature Sensor	1.0	11201007000196
3.5	Room Temperature Sensor	1.0	11201007000325
3.6	Main Control Board Subassembly	1.0	17120300000549
3.7	Mounting rack of main control panel	1.0	12120300000521
3.8	Structure Subassembly of Electrical Control Box	1.0	12220300000512
3.9	Capacitor Clamp	1.0	12200203000019
3.10	Compressor Capacitor(Round)	1.0	17400103000028
4	Electrical Control Box Cover	1.0	12220300000499
5	Installing Accessories	1.0	12020300000045
5.1	Installation Frame Subassembly	1.0	12120300001297
5.2	Window Frame Fixing Plate	1.0	12220300000529
5.3	Fixing board	1.0	12220300000876
5.4	Side frame	2.0	12220300000873
6	Window Frame Fixing Plate	1.0	12220300000531
7	Drain Pan	1.0	12820300000027
8	Rear Net	1.0	12120300000929
9	Floor Assembly	1.0	12220300000828
10	Chassis Assembly	1.0	12220300001110
11	Installation Board	1.0	12220300000869
12	Compressor exhaust pipe	1.0	15120300000773
13	Parts of compressor return pipe	1.0	15120300002837
14	Fan Motor Cover	1.0	12220300000445
15	Holder	1.0	12220300000860
16	Condenser Assembly	1.0	15820300000667
19	Axial fan	1.0	12100105000012
20	Rear barrier Subassembly	1.0	12120300000566
21	Fan Motor Holder	1.0	12220300001107
22	Single-phase Asynchronous Motor	1.0	11002012001843
23	Parts of compressor bracket	1.0	12220300001106
24	Fixed speed rotary compressor	1.0	11103010000894
25	Evaporator assembly Gas valve assembly	1.0	15820300000220
25.1	Evaporator	1.0	15820300000443
25.2	Capillary Assembly	1.0	15120300002828
26	Remote controller	1.0	17317000A03529
27	Components of vent door	1.0	12120300000019
27.1	Gantry of vent door	1.0	12120300001289
27.2	Connecting rod of fresh air door	1.0	12120300001283
28	Vent door	1.0	12120300000231
29	Centrifugal Fan	1.0	12100103000167
30	Upper Air Duct	1.0	12820300000100
31	Volute Scroll	1.0	12820300000070
32	Front separating board	1.0	12220300000570
33	Scroll rear board	1.0	12820300000037
34	Upper Shutter Frame Subassembly	1.0	12120300001339
35	Sub-cooling pipe assembly	1.0	15120300002832
36	Fixing Clip	3.0	12100303000050
37	Air Out Frame assembly	1.0	12120300A00629
37.1	Air Out Frame	1.0	12120300A00598
37.2	Louver	4.0	12120300A00583
37.3	Wind Guide	1.0	12120300A00636
	Display label	1.0	16020300A02108

Due to ongoing product improvements, specifications and dimensions are subject to change and correction without notice or incurring obligations. Determining the application and suitability for use of any product is the responsibility of the installer. Additionally, the installer is responsible for verifying dimensional data on the actual product prior to beginning any installation preparations.

Incentive and rebate programs have precise requirements as to product performance and certification. All products meet applicable regulations in effect on date of manufacture; however, certifications are not necessarily granted for the life of a product. Therefore, it is the responsibility of the applicant to determine whether a specific model qualifies for these incentive/rebate programs.

HEAT CONTROLLER

1900 Wellworth Ave., Jackson MI 49203 • Ph. 517-787-2100 • www.heatcontroller.com

A  Company