

HEAT CONTROLLER, INC.

REPLACEMENT
PARTS

RAD-61B
Room Air Conditioner

AC-01-178

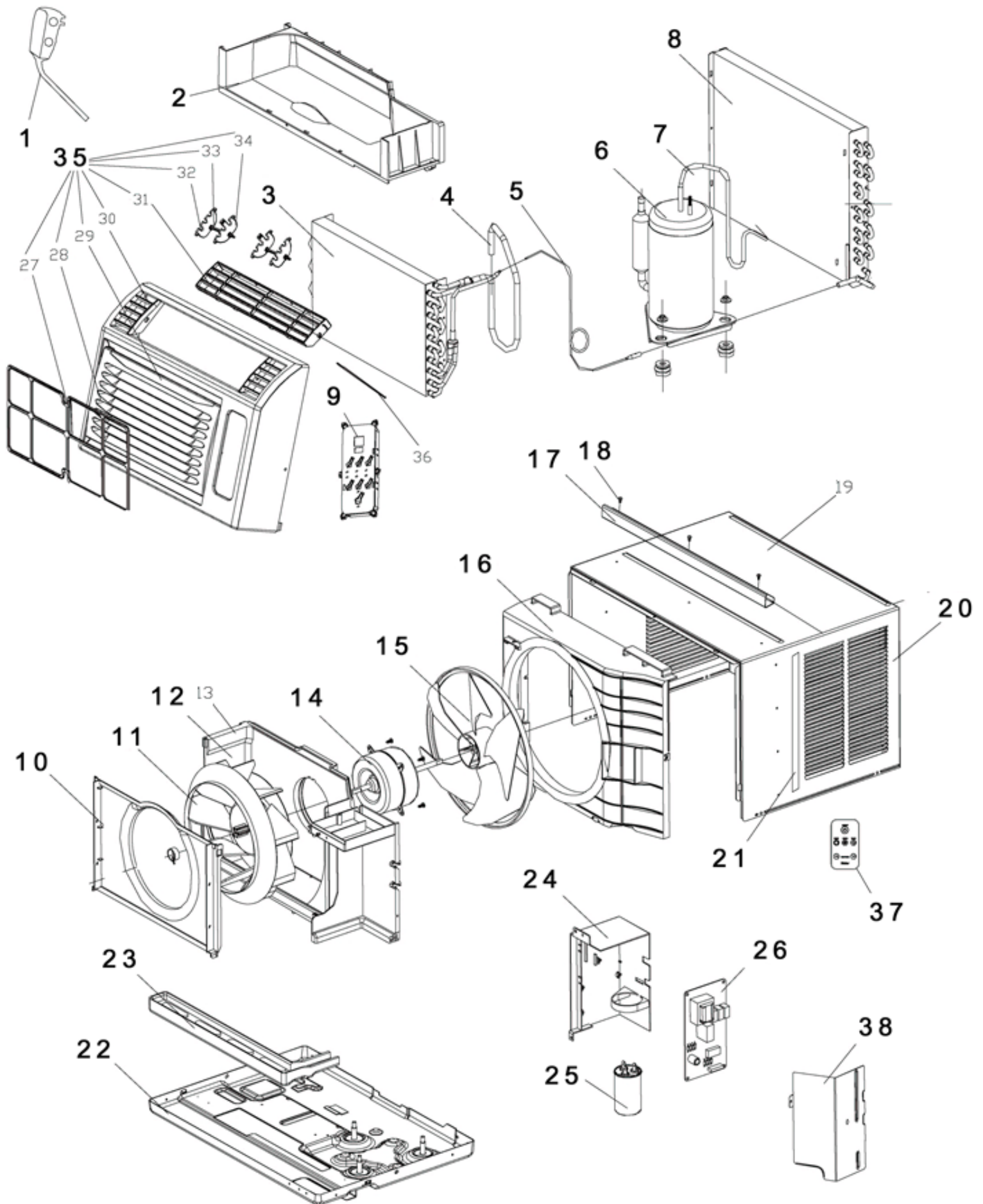


FIGURE NO.	PART NO.	NAME	DESCRIPTION
1	AC-1900-37	CORD	POWER
2	AC-0668-94	BOARD	TOP COVER
3	AC-2650-23	EVAPORATOR	ASSY (SENLIN)
4	AC-5255-120	PIPE	SUCTION ASSY
5	AC-5255-91	PIPE	(SENLIN)
6	AC-1750-49	COMPRESSOR	
7	AC-5255-89	PIPE	VENT (LG & RECHI)
8	AC-1800-23	CONDENSER	ASSY (LG)
9	AC-5200-275	PANEL	INDICATOR
10	AC-5300-31	PLATE	CONDUIT
11	AC-2750-18	FAN	BLOWER WHEEL
12	AC-1470-10	CASE	BLOWER SCROLL
14	AC-4550-149	MOTOR	
15	AC-2750-19	FAN	AXIAL CONDENSER
16	AC-6500-05	SHROUD	CONDENSER
17	AC-3300-14	GUIDE	
18	AC-6150-12	SCREW	
19	AC-1470-48	CASE	
21	AC-5100-14	PAD	SIDE
22	AC-1620-16	CHASSIS	ASSY
23	AC-5150-12	PAN	DRAIN
24	AC-0800-41	BOX	ELECTRIC
25	AC-1400-27	CAPACITOR	COMPRESSOR
26	AC-5210-62	P.C.B.	
27	AC-2800-54	SCREEN	FRONT ASSY
35	AC-5200-324	PANEL	FRONT ASSY
37	AC-5620-30	REMOTE	
38	AC-1950-230	COVER	ELECTRICAL BOX

**Design, material, performance data and components
subject to change without notice.1**

HEAT CONTROLLER, INC.

1900 Wellworth Ave., Jackson, Michigan 49203 • Ph. 517-787-2100 • Fax 517-787-9341

THE QUALITY LEADER IN CONDITIONING AIR

www.heatcontroller.com