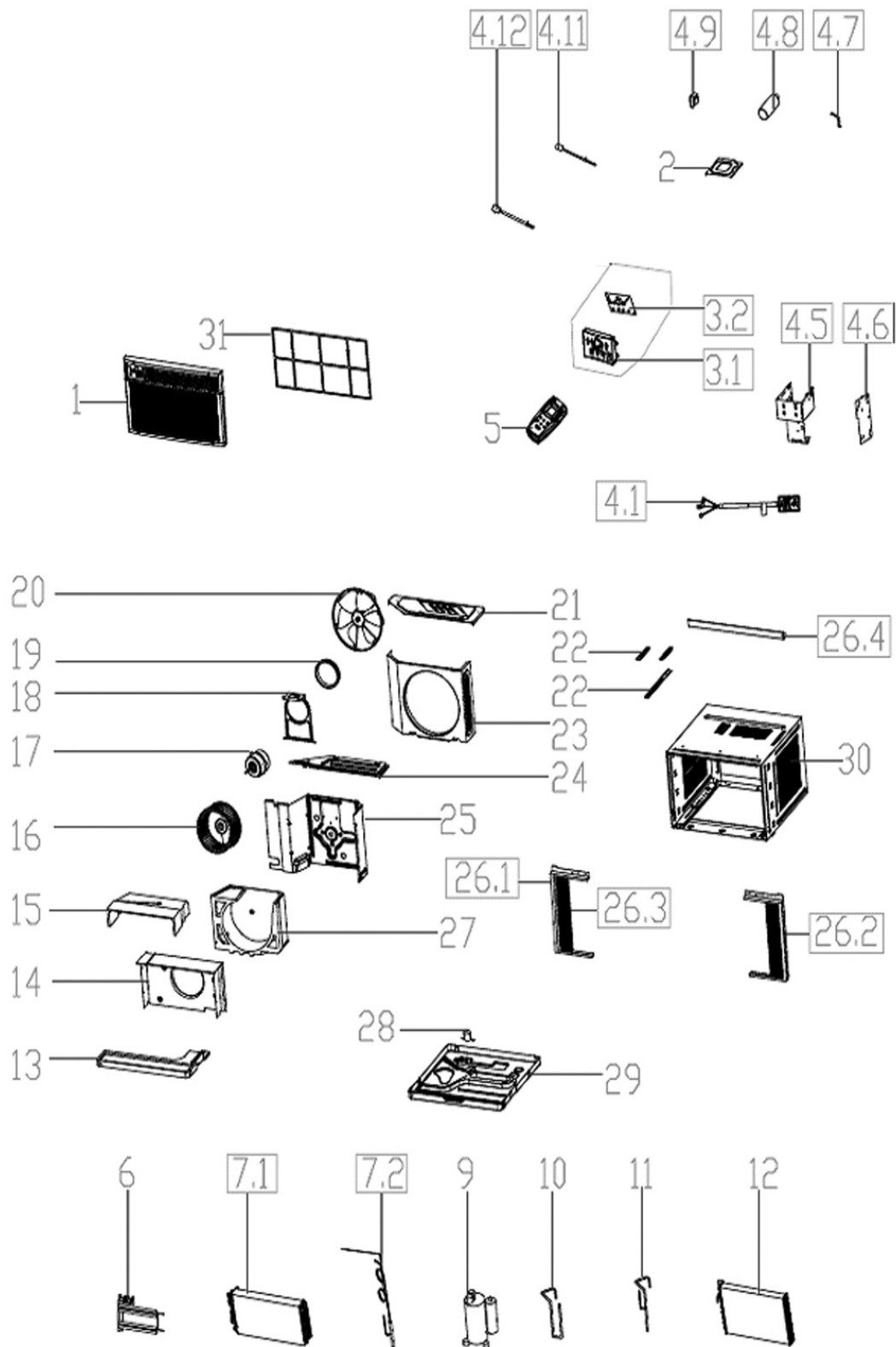


HEAT CONTROLLER, INC.

REPLACEMENT PARTS LIST

**Room Air Conditioner:
REG-123H**

EXPLODED VIEW



REPLACEMENT PARTS

| Location | Description | Quantity | Part No. |
|----------|-----------------------------|----------|--------------|
| 1 | Frame | 1 | 2011213A0065 |
| 2 | Cover for Electric part box | 1 | 201221390055 |
| 3.1 | Control panel | 1 | 2011213A0059 |
| 3.2 | display board assembly | 1 | 201321390073 |
| 4.1 | Power cord | 1 | 202402260128 |
| 4.5 | Electric part box | 1 | 201221390056 |
| 4.6 | Main control board | 1 | 201321790112 |
| 4.7 | Capacitor clamp | 1 | 201200100038 |
| 4.8 | Capacitor | 1 | 202401000508 |
| 4.9 | Transformer | 1 | 202300900140 |
| 4.10 | Capacitor for fan | 1 | 202401100407 |
| 4.11 | Indoor temp sensor | 1 | 202301300092 |
| 4.12 | Evaporator temp sensor | 1 | 202301300077 |
| 5 | Remote controller | 1 | 203355091112 |
| 6 | Electric heater | 1 | 202403100268 |
| 7.1 | Evaporator | 1 | 201521790208 |
| 7.2 | Capillary assembly | 1 | 201621790709 |
| 9 | Compressor | 1 | 201402000480 |
| 10 | Suction pipe | 1 | 201621790456 |
| 11 | Discharge pipe | 1 | 201621790750 |
| 12 | Condenser | 1 | 201521390057 |
| 13 | Water drain pan | 1 | 202221790011 |
| 14 | Air-inlet board | 1 | 201221390058 |
| 15 | Foam for air-out | 1 | 202621390026 |
| 16 | Blower wheel | 1 | 201100100026 |
| 17 | Fan motor | 1 | 202400400259 |
| 18 | Holder for fan motor | 1 | 201221390046 |
| 19 | Washer,Holder for fan motor | 1 | 202721390004 |
| 20 | Fan blade | 1 | 201100300023 |
| 21 | Rear cover board | 1 | 201221790106 |
| 22 | Connecting board | 1 | 201221390045 |
| 22 | Connecting board | 2 | 201221790102 |
| 23 | Rear separating board | 1 | 201221390059 |
| 24 | Front cover board | 1 | 201221390054 |
| 25 | Front separating board | 1 | 201221790103 |
| 26.1 | Left shutter frame | 1 | 201121390019 |
| 26.2 | Right shutter frame | 1 | 201121390020 |
| 26.3 | Shutter | 2 | 201121790138 |
| 26.4 | Upper shutter frame | 1 | 201221390065 |
| 27 | Volute Shell | 1 | 202221390001 |
| 28 | Drain valve | 1 | 202301610703 |
| 29 | Chassis | 1 | 201221390063 |
| 30 | Cabinet | 1 | 201221390119 |
| 31 | Filter | 1 | 201121790244 |

Design, material, performance data and components
subject to change without notice.

HEAT CONTROLLER, INC.

1900 Wellworth Ave., Jackson, MI 49203 ♦ Ph. 517-787-2100 ♦ Fax 517-787-9341

THE QUALITY LEADER IN CONDITIONING AIR

www.heatcontroller.com