

This Owner's Manual is provided and hosted by Appliance Factory Parts.

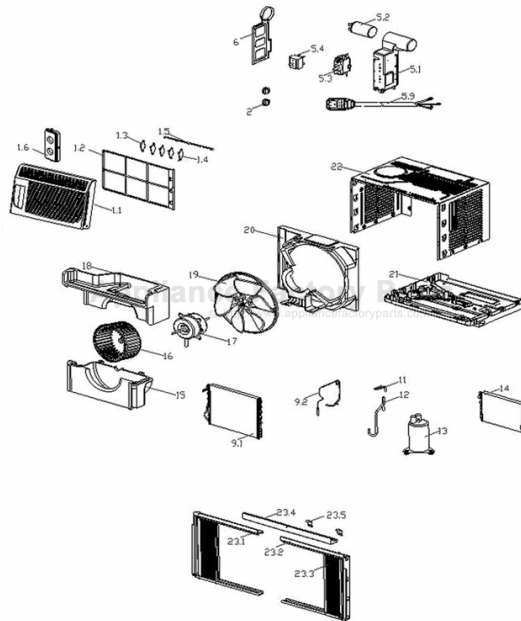


COMFORT-AIRE RG-51G Owner's Manual

[Shop genuine replacement parts for COMFORT-AIRE
RG-51G](#)

RG-51G Parts List Room Air Conditioner with R-410A Heat Controller, Inc.

EXPLODED VIEW



[Find Your COMFORT-AIRE Air Conditioner Parts - Select From 599 Models](#)

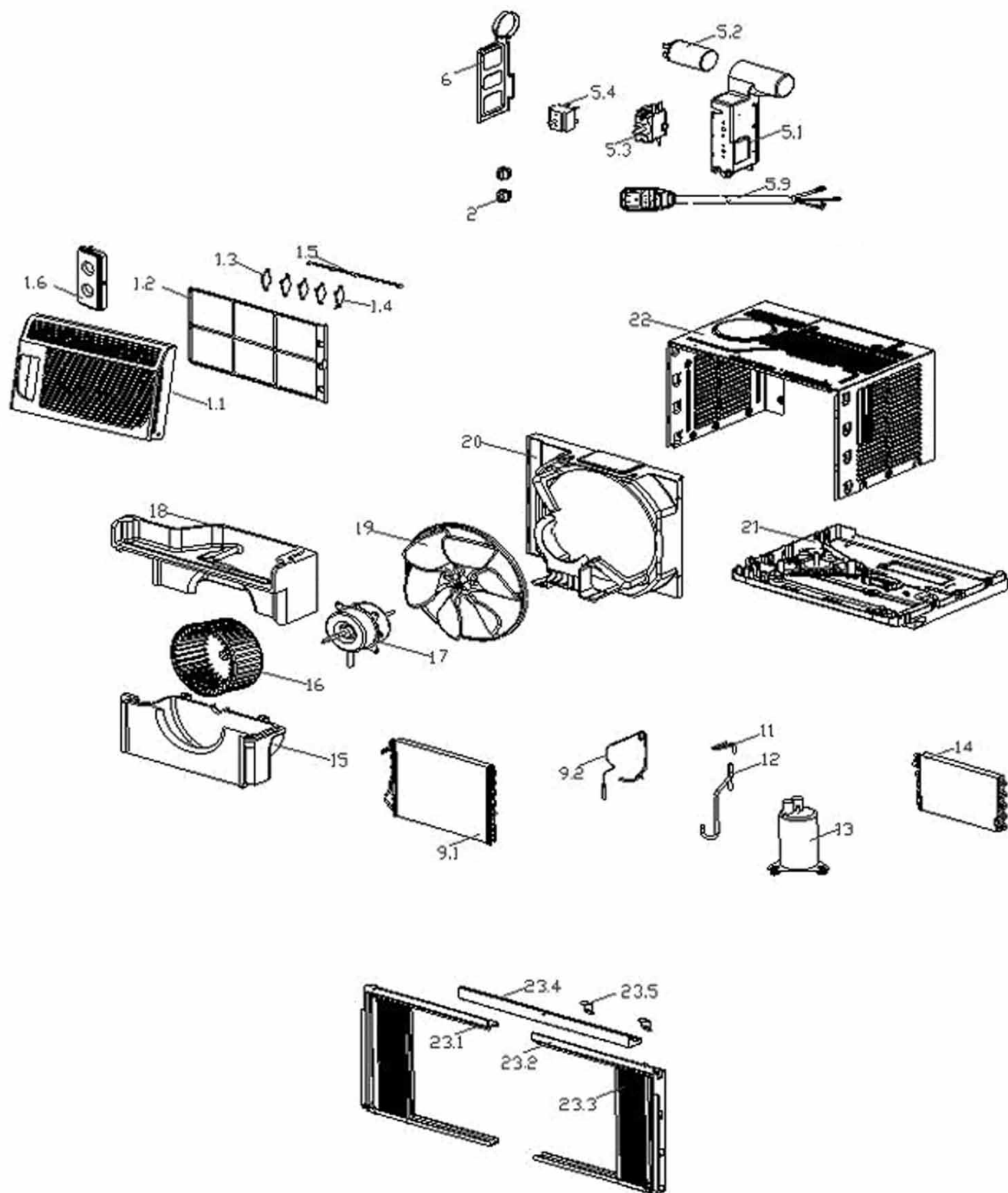
----- Manual continues below -----

HEAT CONTROLLER, INC.

REPLACEMENT PARTS LIST

**Room Air Conditioner with R-410A:
RG-51G**

EXPLODED VIEW



REPLACEMENT PARTS

Location	Part Name	Quantity	Part No.
1.1	Panel frame	1	201121190068
1.2	Filter	1	201121190007
1.3	Louver II	4	201121190005
1.4	Louver I	1	201121190004
1.5	Louver holder	1	201121190006
1.6	Control box	1	201121190008
2	Knob	2	201121190001
5.1	E-Part box	1	201121190109
5.2	Capacitor	1	202401400005
5.3	Temperature controller	1	202301610035
5.4	Main switch	1	202301810044
5.9	Power cord	1	202402290002
6	E-part box cover	1	201121190108
9.1	Condenser	1	201521190073
9.2	Capillary assembly	1	201621190216
11	Discharge pipe	1	201621190218
12	Suction pipe	1	201621190220
13	Compressor	1	201402000520
14.1	Evaporator	1	201521190071
15	Volute Shell(Bottom)	1	202221190002
16	Centrifugal fan	1	201100100021
17	Fan motor	1	202400400905
18	Volute Shell(Top)	1	202221190001
19	Propeller fan	1	201100300019
20	Rear separating board	1	201121190106
21	Chassis assembly	1	201121190104
22	Cabinet assembly	1	201221190099
23.1	Left shutter frame	1	201120190157
23.2	Right shutter frame	1	201120190155
23.3	Shutter	2	201121190107
23.4	Up shutter frame	1	201220190111
23.5	Shutter locking bar	2	201220190109

Design, material, performance data and components
subject to change without notice.

HEAT CONTROLLER, INC.

1900 Wellworth Ave., Jackson, MI 49203 ♦ Ph. 517-787-2100 ♦ Fax 517-787-9341

THE QUALITY LEADER IN CONDITIONING AIR

www.heatcontroller.com